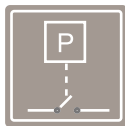


PS2 / PS2+

PS2 and PS2+ are mechanical pressure switches used to control the pumps in traditional boosting systems with accumulation tank.

It is a device that automatically adjusts the starting and the stop of the pump based on the pressure and its differential. The original factory setting can be changed using the internal regulating system.



PS2/1,5-5,5
PS2/2,5-7,5
PS2/4-10,5

PS2+/1-6,5

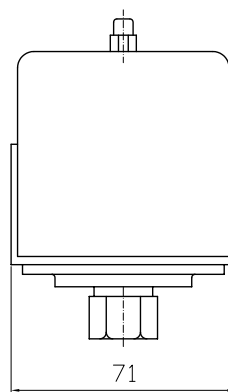
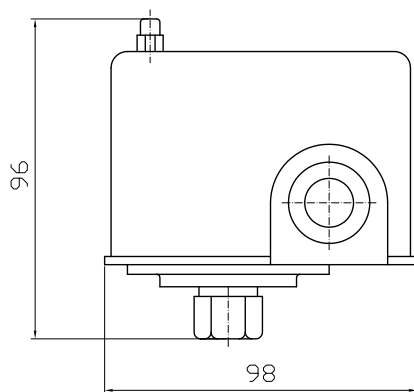
OPERATING CHARACTERISTICS

- Pressure switch used in water system.
- The switch start and stop the water pump automatically according to the setting pressure value.
- Independent adjustment of starting pressure and differential.
- Hydraulic connections G1/4" female for PS2.
- Hydraulic connections G1/4" rotative nut for PS2+.

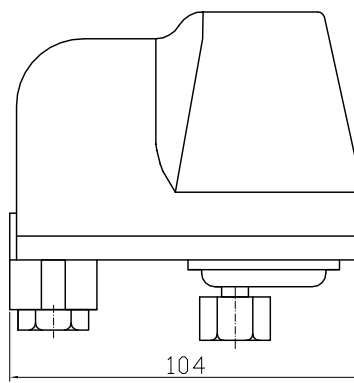
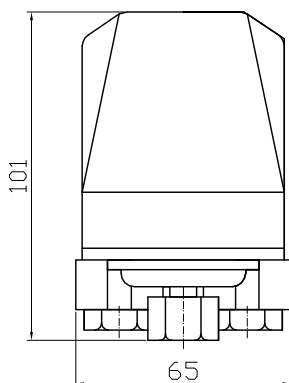
TECHNICAL CHARACTERISTICS

	PS2/1-5,5	PS2/2,5-7,5	PS2/4-10,5	PS2+/1-6,5
• Power supply voltage	110-240 Vac	110-240 Vac	110-240 Vac	110-240 Vac
• Max. current	12A	12A	12A	16(10)A
• Frequency	50/60 Hz	50/60 Hz	50/60 Hz	50/60 Hz
• Max. pump power	2 HP	2 HP	2 HP	2 HP
• Max. environment temperature	40°C	40°C	40°C	55°C
• Protection degree	IP20	IP20	IP20	IP54
• Range of starting pressure	1,4-2,8 bar	2,8-4 bar	4-5,5 bar	1,4-2,8 bar

DIMENSIONS



PS2/1,5-5,5
PS2/2,5-7,5
PS2/4-10,5



PS2+/1-6,5