

Manual for Cooler / Cargo Chocks



VERSACHOCK®

Content

1	Validity, product images	3
2	Specifications	4
3	Installation	4
3.1	Dimensions	4
3.2	Important installation information	5
3.3	Positioning, marking	5
3.4	Marking remaining holes.....	5
3.5	Pre-drill holes.....	5
3.6	Attach the base brackets	5
3.7	Insert Chock brackets	5
4	Additional information, liability	6
4.1	Updates and other tips.....	6
4.2	Liability.....	6
4.3	Acknowledgments.....	6

List of figures

Figure 1	Dimensions Standard base brackets (1st23VCWHITE4PK, 1st23VCBLACK4PK)	4
Figure 2	Dimensions Heavy Duty Cooler Cargo Chocks (1st23VCHDWHITE4PK)	4

List of Tables

Table 1	VersaChock Cooler / Cargo Chocks	3
Table 2	VersaChock Cooler / Cargo Chocks – Accessories (not included).....	3

1 Validity, product images

This manual is valid for the following VersaChock cargo chocks from 1st-Relief:

- Cooler Cargo Mounting kit Article number: 1st23VCWHITE4PK
- Heavy Duty Cooler Cargo Chocks Article number: 1st23VCBLACK4PK
- Heavy Duty Cooler Cargo Chocks Article number: 1st23VCHDWHITE4PK

	
	
<p>Cooler Cargo Mounting kit Article number: 1st23VCWHITE4PK, 1st23VCBLACK4PK</p>	<p>Heavy Duty Cooler Cargo Chocks Article number: 1st23VCHDWHITE4PK</p>

Table 1 VersaChock Cooler / Cargo Chocks


<p>Tie down kit-3 pack Article number: 1st23VCTIEDOWNKIT3</p>

Table 2 VersaChock Cooler / Cargo Chocks – Accessories (not included)

2 Specifications

- 4 base low profile base brackets
(white powder coated at Heavy Duty Cooler Cargo Chocks
[Article number: 1st23VCHDWHITE4PK])
- 4 REMOVABLE chock brackets
(white powder coated at Heavy Duty Cooler Cargo Chocks
[Article number: 1st23VCHDWHITE4PK])
- 12 # 10 x 1/2" self-tapping stainless-steel screws
- Easy to store when not in use
- the universal design fits universally for cool boxes and other cargo
- excluding any other assembly parts

3 Installation

3.1 Dimensions

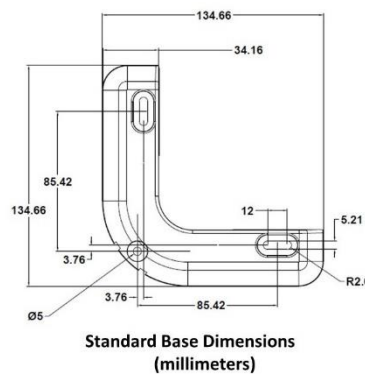


Figure 1 Dimensions Standard base brackets (1st23VCWHITE4PK, 1st23VCBLACK4PK)

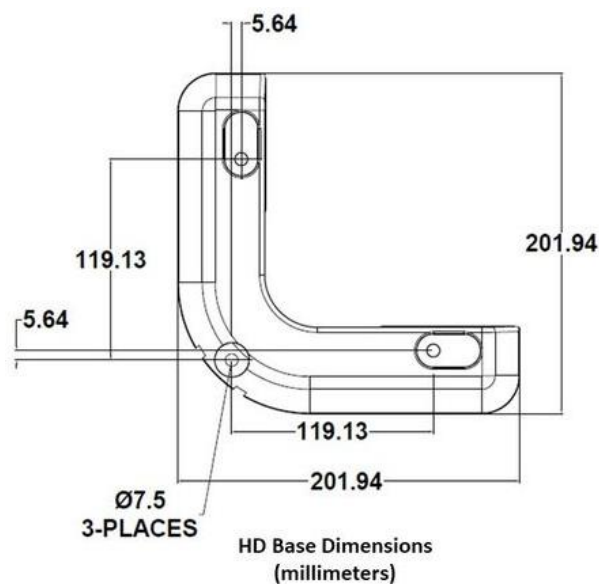


Figure 2 Dimensions Heavy Duty Cooler Cargo Chocks (1st23VCHDWHITE4PK)

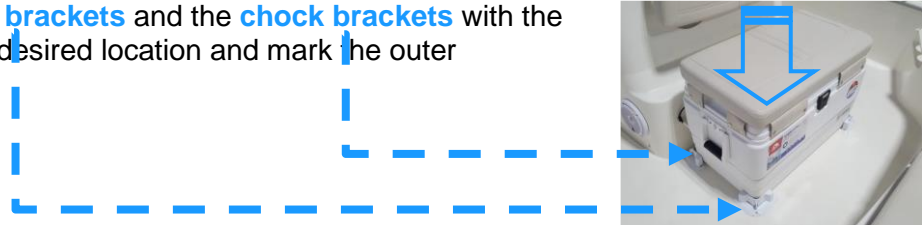
3.2 Important installation information

Please note the following important installation instructions:

- We strongly recommend that the product specification, use and installation be checked by a professional technician before purchase and that the installation is carried out by the same person.
- This manual is for advice only. THERE ARE TOO MANY HULL VARIATIONS IN ORDER TO SPECIFY AN EXACT INSTALLATION OR AN INSTALLATION LOCATION FOR EVERYONE.
- Before each use, make sure that the chock assemblies are securely inserted into the base brackets.
- Before each use, make sure that the chock assemblies are firmly fixed with locking screws and that the wing nuts are also tightened (only for part number 1st23VCHDWHITE4PK).
- Remove the support brackets when not in use.
- We recommend rinsing the parts with fresh water after each use. Although we use corrosion-resistant materials, salt water and other contaminants can stain.
- FAILURE TO FOLLOW THE ABOVE MAY RESULT IN DAMAGE, LOSS OR SERIOUS INJURY!

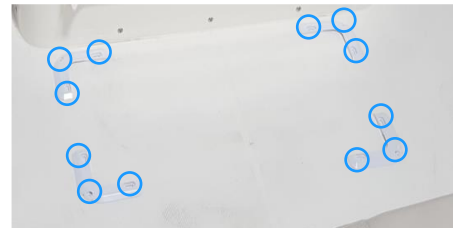
3.3 Positioning, marking

Temporarily place the **base brackets** and the **chock brackets** with the **cooler or cargo** box in the desired location and mark the outer perforation points.



3.4 Marking remaining holes

Remove the cooler or cargo box and the chock brackets. Mark the remaining holes in the socket.



3.5 Pre-drill holes

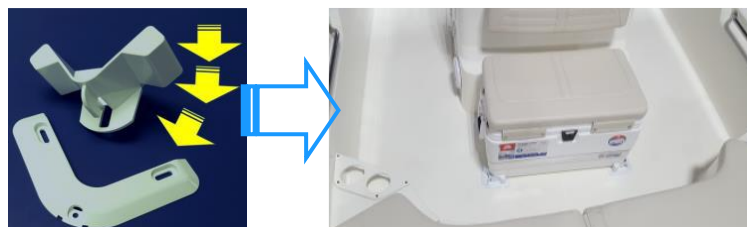
Pay attention to the free space below deck as well as to the correct pre-drilling for the screws and, if necessary, the correct use of sealant!

3.6 Attach the base brackets

Fasten the base brackets with the supplied screws.

3.7 Insert Chock brackets

Insert the chock brackets again and use your new load securing device!



4 Additional information, liability

4.1 Updates and other tips

For updates and additional tips, see:

<https://www.1st-relief.com/en/equipment-hardware/brackets-davits-load-securing-devices/>

4.2 Liability

Installation and use of this product are at the customer's own risk. We strongly recommend that the product specification, use, and installation be checked by a professional technician prior to purchase and that the installation be carried out by them.

Your safety and customer satisfaction are our top priority!

4.3 Acknowledgments

Thank you for choosing our products. Together with our manufacturer VersaChock, we strive to deliver the most innovative products of the highest quality. VersaChock products are manufactured by Jefferson Design Inc. of Tampa Bay Florida. We hope you will enjoy our products for many years to come. We look forward to your Comments and feedback!

Your satisfaction is our number one priority! If you have any questions, please contact our customer service office@1st-relief.com