

**Manual for
4,5 inch Wireless Control LED Cabin Searchlight (12 - 24 VDC)
Model 150S / 151S Series**



Content

1	Validity, product images.....	3
2	Product.....	3
2.1	Description	3
2.2	Included in the Package	3
2.3	Main features.....	3
3	Construction.....	4
4	Technical Information	4
5	Installation	4
5.1	Important installation information	4
5.2	Dimensions Searchlight.....	5
6	Operation of the LED Searchlight.....	7
6.1	Handheld Wireless Remote	7
6.1.1	On / Off	7
6.1.2	Function Button "Fn"	7
6.2	Handheld wireless remote programming procedure.....	7
6.3	Enjoy.....	7
7	Certification.....	8
7.1	FCC Information	8
7.2	CE / RED.....	8
8	Additional information, liability	8
8.1	Updates and other tips	8
8.2	Liability	8
8.3	Acknowledgments.....	8
9	Declaration of Conformity	9

List of Figures

Figure 1	Serachlight Footprint	5
Figure 2	150S Dimensions.....	6
Figure 3	Location CE-Mark	8

List of Tables

Table 1	LED Searchlight in Operation.....	3
Table 2	Technical Information	4

1 Validity, product images

This manual is valid for the following Products from 1st-Relief:

- 4,5 inch Wireless Control LED Cabin Searchlight
Article number: 1ST30SL150Snn-xx-x-xx



Table 1 LED Searchlight in Operation

2 Product

2.1 Description

This premium high power LED Searchlight comes with a Handheld Wireless Remote Control. The speed of rotation and tilt of the headlight can be controlled by a switch. The Housing is in white colour. The Searchlight is powered with 12 VDC or 24 VDC and is equipped with a LED lamp with a maximum of 240.000 candela.

2.2 Included in the Package

- Model 150s LED Searchlight
- Handheld Wireless Remote Controller including 2 pieces of 23A Batteries (TX-SL014GO)

2.3 Main features

- 350° Rotation / 90° Tilt
- Programmable Handheld Wireless Remote Controller
- UV Ray and Saltwater Resistant

3 Construction

- Housing made of robust standard plastic (ASA) in White or Black (on request)
- Cast Aluminium Heat Sink
- LED 30 W (6 pcs OSRAM LED)
- Low Amp Draw
- Peak Beam Intensity with 240.000 Candela
- Flashing / Strobe Function
- Operating Temperature Range: -30 °C to +70 °C
- Integrated Motor
- 12 VDC and 24 VDC (Multi-voltage)
- Fully Up and Down 90° Tilting
- Left and Right 350° Rotation (Patented)
- Certification: CE, FCC, R10

4 Technical Information

Shape:	Rectangular
Colour:	White
Protection:	Weather resistance, searchlight housing IP56
Mount type:	Permanent Mount Base (Optional magnetic mount shoe available)
Luminous Intensity [cd]:	240.000
Beam Distance [m]:	980
Beam Pattern:	Spot
Tilting [°]:	90
Tilting speed [°/sec]:	11
Rotation [°]:	350
Rotation speed [°/sec]:	17
Illuminate type:	OSRAM High Power LED x 6 pcs
Wattage [W]:	30
Current Consumption [A]:	@ 12 VDC / 2,5 A (max); @ 24 VDC 1,25 A (max)
Colour Temperature [K]:	5.700 - 6.000
Weight [kg]:	1,6
LED module:	IP 68 Compliant
Housing:	Aluminium Housing as Heat Sink
Lens:	Hardened Polycarbonate Lens
Radio Frequency [MHz]:	433,92
Wireless Remote Battery:	2 pieces 23A
Wireless Remote Operation Distance [m]:	65 (In an open and no interference environment)
Manufacturer:	Allremote

Table 2 Technical Information

5 Installation

5.1 Important installation information

Please note the following important installation instructions:

- **Do not install** the searchlight **sideways or upside down**.
- **Do not use** hand or other **external force to rotate/tilt** searchlight!
- Find a **clean and flat surface** to mount the searchlight and **make sure** there is **no other objects in the ways of rotation / tilt range**.

5.2 Dimensions Searchlight

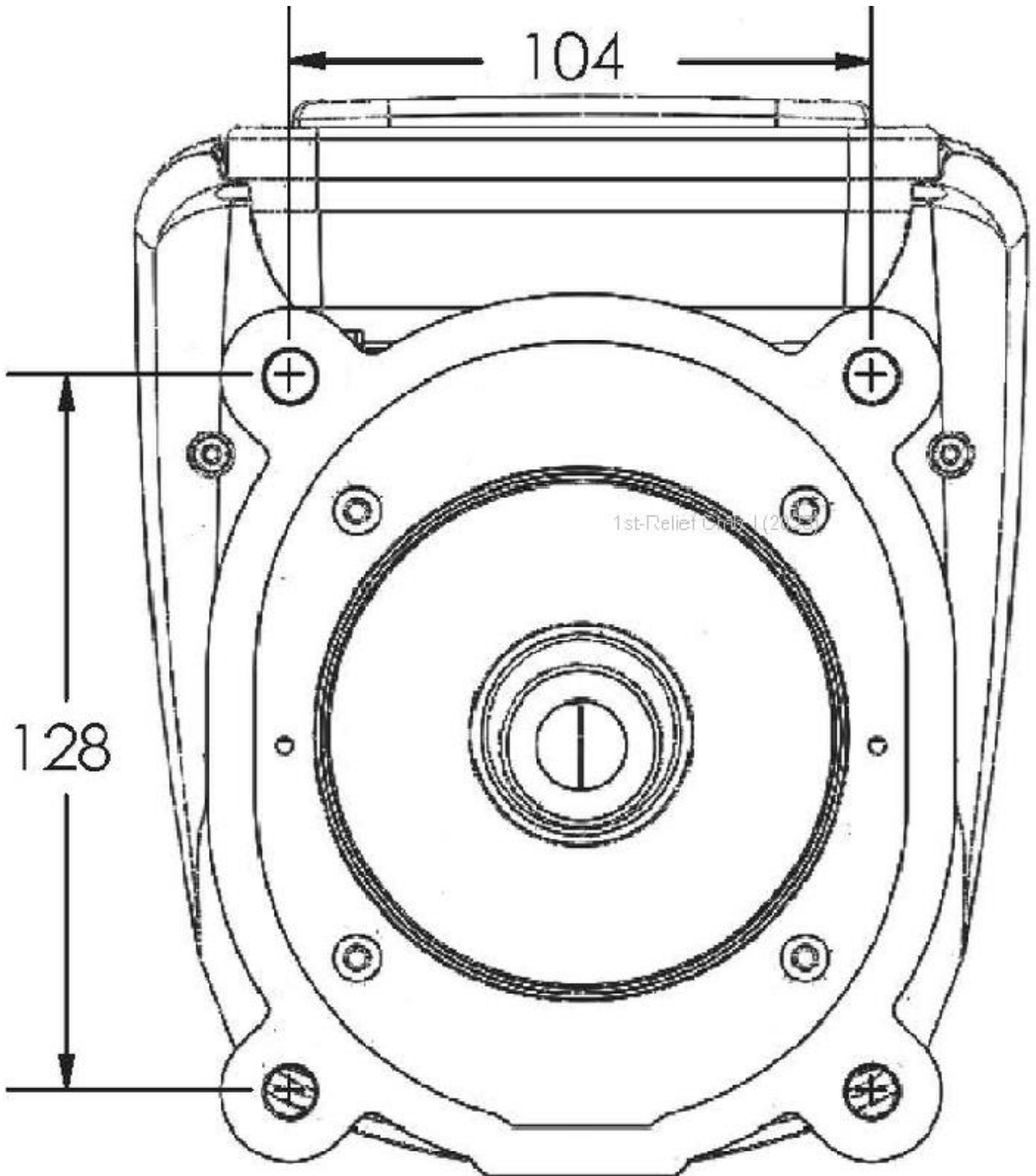


Figure 1 Searchlight Footprint

Screw holes [mm]: 9

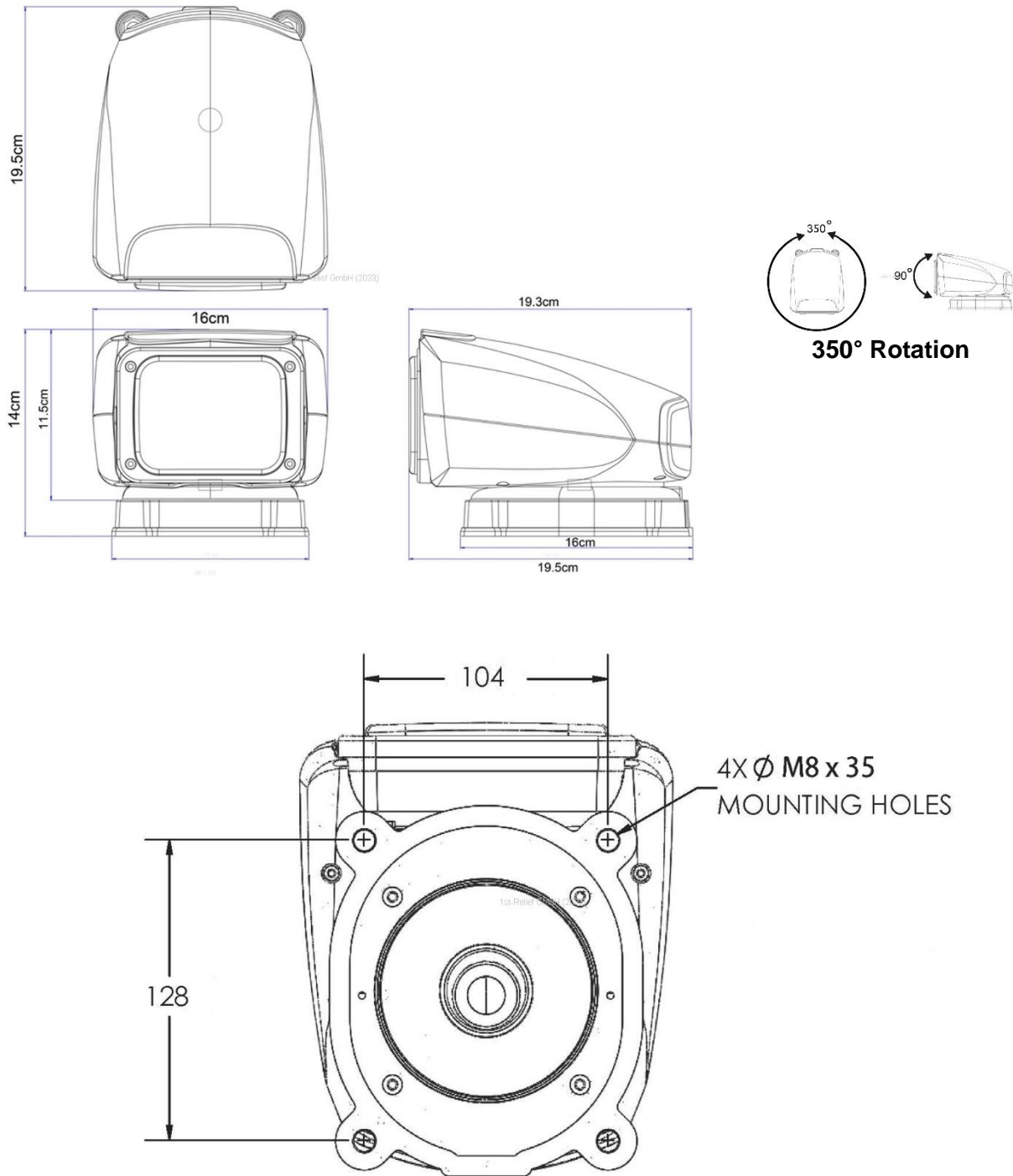



Figure 2 150S Dimensions

6 Operation of the LED Searchlight

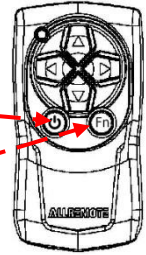
6.1 Handheld Wireless Remote

6.1.1 On / Off

Press  button to Switch on or off searchlight.

When turning off, the light will automatically return to home position.

If you wish the light to stay at the same position, simply quickly press this button again to stop auto home feature.



Operate directions of the light beam by pressing the direction buttons.

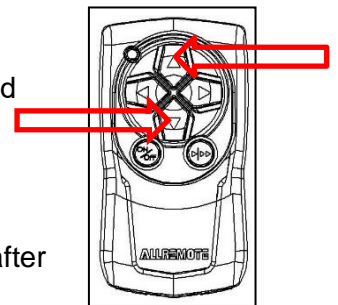
Up = 	Down = 	Right = 	Left = 
--	--	---	--

6.1.2 Function Button “Fn”

The Button “Fn” is the trigger for the Flashing / Strobe function.

6.2 Handheld wireless remote programming procedure

- (1) Switch off DC Power or disconnect from battery.
- (2) Make sure there is NO other transmitter operating at the same time.
- (3) Switch on DC Power, within 5 seconds press and hold Remote up ▲ and down ▼ buttons simultaneously.
- (4) Searchlight will flash to acknowledge the Remote, connection has been made.
- (5) To program the second Remote (up to 4 remotes may be used with the searchlight, programming a fifth will replace the first), within 5 seconds after the first Remote programmed, press the second Remote up and down buttons or repeat step 1.



6.3 Enjoy

Enjoy the usage of your 6-inch Wireless Control LED Cabin Searchlight.

7 Certification

7.1 FCC Information

The Federal Communication Commission Radio Frequency Interference Statement includes the following paragraph:

This equipment has been tested and found to comply with the limits for a Class B digital device, pursuant to part 15 of the FCC Rules. These limits are designed to provide reasonable protection against harmful interference in a residential installation. This equipment generates uses and can radiate radio frequency energy and, if not installed and used in accordance with the instructions, may cause harmful interference to radio communications. However, there is no guarantee that interference will not occur in a particular installation. If this equipment does cause harmful interference to radio or television reception, which can be determined by turning the equipment off and on, the user is encouraged to try to correct the interference by one or more of the following measures:

- Reorient or relocate the receiving antenna.
- Increase the separation between the equipment and receiver.
- Connect the equipment into an outlet on a circuit different from that to which the receiver is connected.
- Consult the dealer or an experienced radio/TV technician for help.

This device complies with part 15 of the FCC Rules. Operation is subject to the following two conditions:

- (1) This device may not cause harmful interference, and
- (2) this device must accept any interference received, including interference that may cause undesired operation.

Any changes or modifications not expressly approved by the party responsible for compliance could void the user's authority to operate the equipment.

- (1) This Transmitter must not be co-located or operating in conjunction with any other antenna or transmitter.
- (2) This equipment complies with FCC RF radiation exposure limits set forth for an uncontrolled environment. This equipment should be installed and operated with a minimum distance of 20 centimetres between the radiator and your body.

7.2 CE / RED

The device is compliant with the Radio Equipment Directive (RED) of the European Commission.

8 Additional information, liability

8.1 Updates and other tips

For updates and additional tips, see:

<https://www.1st-relief.com/de/45-zoll-wireless-control-led-cabin-searchlight-12.html>



Figure 3 Location CE-Mark

8.2 Liability

Installation and use of this product are at the customer's own risk. We strongly recommend that the product specification, use, and installation be checked by a professional technician prior to purchase and that the installation be carried out by them.

Your safety and customer satisfaction are our top priority!

8.3 Acknowledgments

Thank you for choosing our products. Together with our manufacturer Allremote, we strive to deliver the most innovative products of the highest quality. We hope you will enjoy our products for many years to come. We look forward to your comments and feedback!

Your satisfaction is our number one priority! If you have any questions, please contact our customer service office@1st-relief.com

9 Declaration of Conformity



EC DECLARATION OF CONFORMITY

Allremote Wireless Technology Co., Ltd. here by declares under its sole responsibility that the following product is in conformity with Directive 2014/53/EU for RED-Radio Equipment, Directive 2014/30/EU of the European Parliament and of the Council of 26 February 2014 on Electromagnetic Compatibility (EMC Directive), In accordance with the relevant community harmonized legislation, the product will be marked with the CE conformity marking as follows:



Product:

Searchlight
Model: 220S, 150S

Regulations and Standards:

EN300 220 V3.1.1 (2017-02) (Short Range Devices)
 EN301 489-1 V2.1.1 (2017-02) (ElectroMagnetic Compatibility)
 EN301 489-3 V2.1.1 (2017-03) (ElectroMagnetic Compatibility)
 EN60945: 2002 Emissions and Immunity:
 CISPR 16-1: 1999 (Conducted Emissions)
 CISPR 16-1: 1999 (Radiated Emissions)
 IEC 61000-4-2: 2008 (Electrostatic Discharge)
 IEC 61000-4-3: 2006/A1:2007 (Radiated Immunity)
 IEC 61000-4-6: 2008 (Conducted Immunity, Power and I/O Leads)
 IEC 61000-4-11: 2004 (Voltage Dips and Interrupts)

Manufacturer and holder of technical documents:

Allremote Wireless Technology Co., Ltd.
 2F., No.8, Aly.16, Ln.235, Baoqiao Rd., Xindian Dist., New Taipei City, 23145, Taiwan

Company Stamp:



Allremote Wireless Technology Co., Ltd.
 2F., No.8, Aly.16, Ln.235, Baoqiao Rd., Xindian Dist., New Taipei City, 23145, Taiwan
 TEL: +886-2-86656969 FAX: +886-2-86653838 www.allremote.com.tw

CE-SL220S/SL150S-001