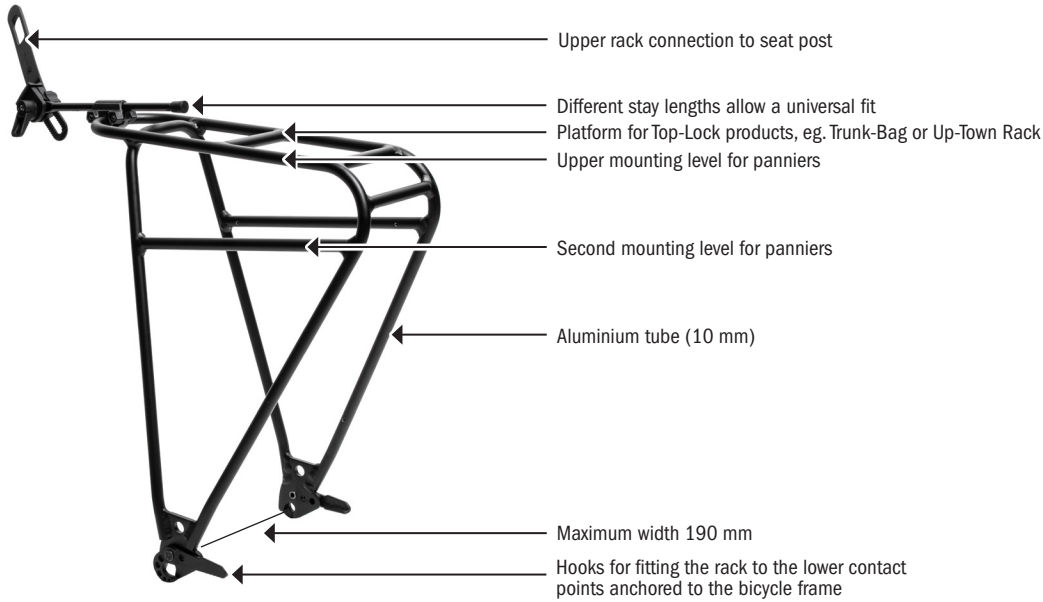


PRODUCT INFO

QUICK RACK

Bike rack with quick release system for rapid installation and removal



TOP LOCK

QL3.1 system

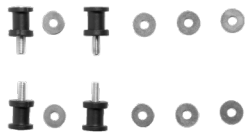
QL2.1 system

QL1 system

Mounting:



Included in delivery:



Screw-on contact points (M5, M6) for mounting the rack



Mounting bracket for optional rear light (light not included)

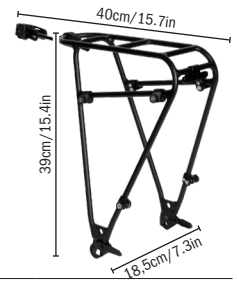


Screw-on QL3/3.1 mounting clamps



Additional extra long mounting stay (300 mm)

Dimensions rack:



material	wheel size	tube diameter/mm	width support surface/mm	max. width/mm	weight g/oz	max. capacity kg/lbs
Aluminium	26"-28", 29" limit. compatibility	10	100	190	580/20.5	20/44.1

SPECIFICATIONS:

- + Lightweight bicycle rack with quick release system for rapid installation and removal
- + 5/15 method: 5 sec removal, 15 sec installation
- + Quick transformation from race bike to commuter bike
- + Leaves a clean bike, no fixed rack
- + Fits frames with M5 or M6 rack eyelets
- + Can be used with full suspension bicycles
- + Different stay lengths allow a universal fit
- + Touring rack with two hook-in levels, e.g. for simultaneous use of a rack top basket and panniers
- + Allows for direct attachment of all bags with QL1/2.1/3/3.1 and the Top-Lock System
- + QL3/3.1 attachment elements can be removed
- + Suitable for 26"-28" and 29" (limited compatibility)
- + Horizontal and vertical struts with 10 mm tube diameter
- + Includes a complete mounting kit: no additional adapters required for most applications
- + Mounting bracket for optional rear light (light not included)
- + Maximum load capacity: 20kg / 44.1lbs

Contents: Rack with mounting material and additional extra long mounting stay (300 mm), Mounting bracket for optional rear light, QL3/QL3.1 mounting clamps

Optional accessory: Quick Rack Mudguard 38 mm (F78107), 50 mm (F78108) and 72 mm (F78109), Quick Rack Seat Stay Adapter (F78106)

Note: Follow mounting instructions

Attention: Rack is not suitable for mounting and using child seats; Quick Rack is not suitable for carbon bike frames with carbon seatpost (Mounting on metal seatpost and M5/M6 thread on carbon frame is ok).

