

Instruction Manual

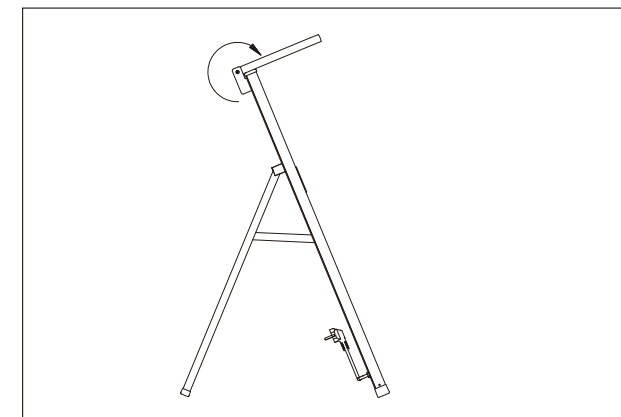
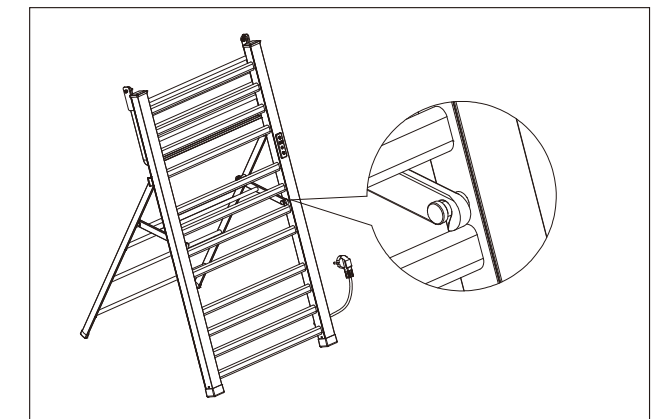
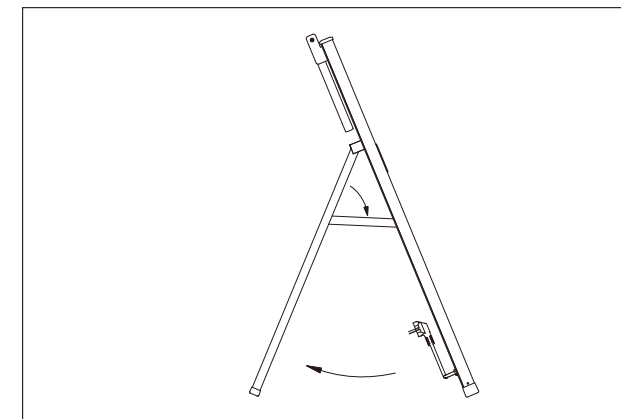
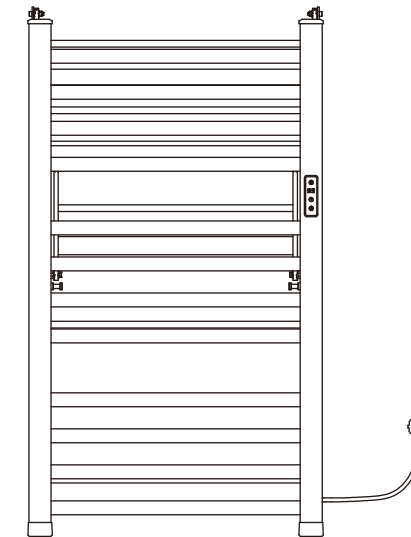


Instruction Manual

1. All-pole disconnection device from the supply mains should be provided when the appliance connected to the main supply without plug.
2. This appliance can be used by children aged from 8 years and above and persons with reduced physical, sensory or mental capabilities or lack of experience and knowledge if they have been given supervision or instruction concerning use of the appliance in a safe way and understand the hazards involved.
3. Children shall not play with the appliance.
4. Cleaning and user maintenance shall not be made by children without supervision.
5. Children of less than 3 years should be kept away unless continuously supervised.
6. Children aged from 3 years and less than 8 years shall only switch on/off the appliance provided that it has been placed or installed in its intended normal operating position and they have been given supervision or instruction concerning use of the appliance in a safe way and understand the hazards involved.
7. CAUTION — Some parts of this product can become very hot and cause burns. Particular attention has to be given where children and vulnerable people are present.
8. Children aged from 3 years and less than 8 years shall not plug in, regulate and clean the appliance or perform user maintenance.
9. Statement: heater is not located immediately below a socket-outlet.
10. Instructions for fixed heaters likely to be used in a bathroom: that the heater is to be installed so that switches and other controls cannot be touched by a person in the bath or shower.
11. If the supply cord is damaged, it must be replaced by the manufacturer, its service agent or similarly qualified persons in order to avoid a hazard.
12. All-pole disconnection device from the supply mains should be provided when the appliance connected to the main supply without plug.

Towel Rail Installation

- Read the instruction sheet carefully before installation.
- Installation should be completed by professional person.
- Please dispose the package properly.



In compliance with Directives: 2012/19/EU and 2015/863/EU on the restriction of the use of dangerous substances in electric and electronic equipment as well as their waste disposal. The symbol with the crossed dustbin shown on the package indicates that the product at the end of its service life shall be collected as separate waste. Therefore, any products that have reached the end of their useful life must be given to waste disposal centres specialising in separate collection of waste electrical and electronic equipment, or given back to the retailer at the time of purchasing new similar equipment, on a one for one basis. The adequate separate collection for the subsequent start-up of the equipment sent to be recycled, treated and disposed of in an environmentally compatible way contributes to preventing possible negative effects on the environment and health and optimises the recycling and reuse of components making up the apparatus. Abusive disposal of the product by the user involves application of the administrative sanctions according to the laws.

OI (operating instructions)

1. Basic Instructions

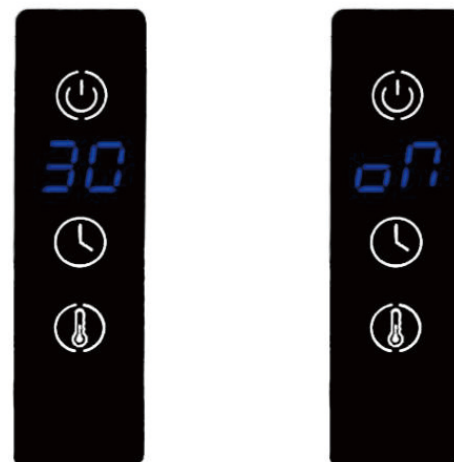
- 1.1 Power supply specification: AC230V/50HZ
- 1.2 Operating temperature range: 0 ~ 85°C
- 1.3 Set temperature range: 30 ~ 60°C
- 1.4 Timing time: 1-8 hours
- 1.5 Function: constant temperature function, timing function

2. Digital Display Description

2.1 Shutdown status: no digital display, as shown in below figure.







2.2 Power on: adjustable setting temperature range 30°C-60°C, adjustable timing time 1-8 hours and normally open (ON) as shown in below figure.



2.3 Heating status: The device is heated (the blue dot flashes showed in below red frame), as shown in the figure.



3. Instructions

- 3.1 Power on/off: Short press  to turn on/off the device.
- 3.2 Timing setting: The temperature is fixed at 60°C in timing mode. There're 9 selections in this mode. They're 1-8H and "ON". Short press  and then the digital display will flash, one press for 1H increase, up to 8H, and one more press  from 8H to "ON" mode (ON means operating with no time limit). After the time is set, it will enter the working state if it is not operated for 3s, and the digital display will stop flashing. The device automatically shuts down after the heating time ends.
- 3.3 Temperature setting: Short press  and the digital display will flash. One press for 5°C increase, up to 60°C. After the temperature is set, it will enter the working state if it is not operated for 3s, and the digital display will stop flashing.

4. Error Display

4.1 When the temperature probe is abnormal, the digital tube will display as below figure shows.

