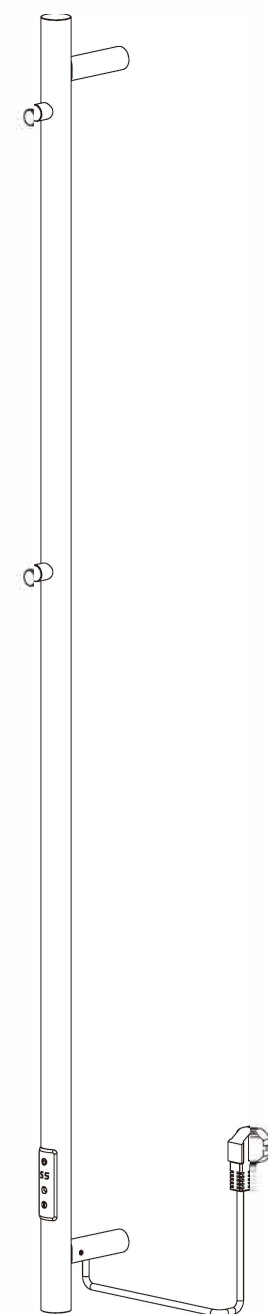


OPPIO

GROUP

Instruction Manual



Instruction Manual

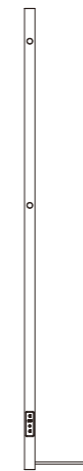
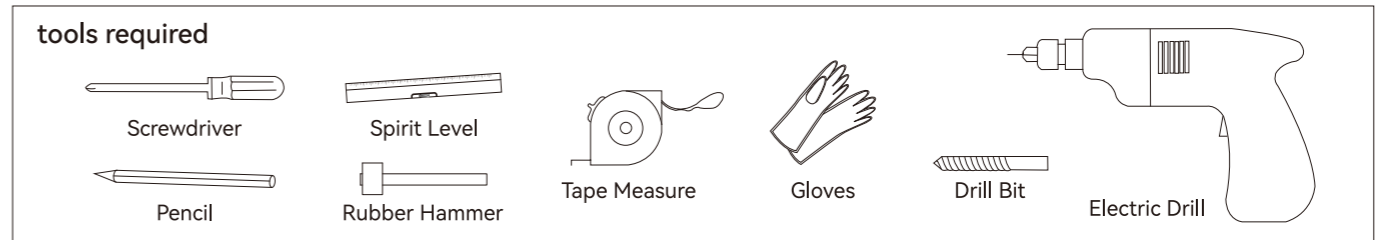
1. All-pole disconnection device from the supply mains should be provided when the appliance connected to the main supply without plug.
2. This appliance can be used by children aged from 8 years and above and persons with reduced physical, sensory or mental capabilities or lack of experience and knowledge if they have been given supervision or instruction concerning use of the appliance in a safe way and understand the hazards involved.
3. Children shall not play with the appliance.
4. Cleaning and user maintenance shall not be made by children without supervision.
5. Children of less than 3 years should be kept away unless continuously supervised.
6. Children aged from 3 years and less than 8 years shall only switch on/off the appliance provided that it has been placed or installed in its intended normal operating position and they have been given supervision or instruction concerning use of the appliance in a safe way and understand the hazards involved.
7. CAUTION — Some parts of this product can become very hot and cause burns. Particular attention has to be given where children and vulnerable people are present.
8. Children aged from 3 years and less than 8 years shall not plug in, regulate and clean the appliance or perform user maintenance.
9. Statement: heater is not located immediately below a socket-outlet.
10. Instructions for fixed heaters likely to be used in a bathroom: that the heater is to be installed so that switches and other controls cannot be touched by a person in the bath or shower.
11. If the supply cord is damaged, it must be replaced by the manufacturer, its service agent or similarly qualified persons in order to avoid a hazard.
12. All-pole disconnection device from the supply mains should be provided when the appliance connected to the main supply without plug.



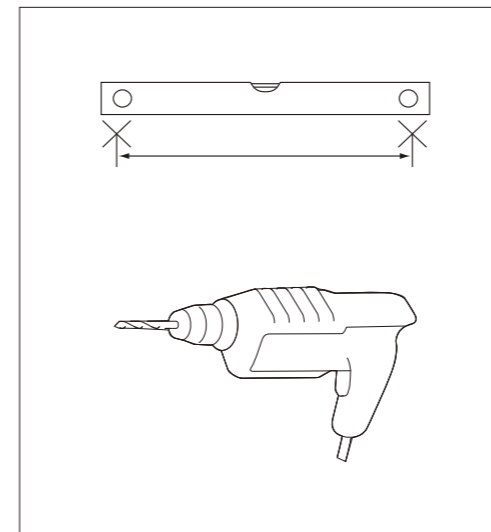
In compliance with Directives: 2012/19/EU and 2015/863/EU on the restriction of the use of dangerous substances in electric and electronic equipment as well as their waste disposal. The symbol with the crossed dustbin shown on the package indicates that the product at the end of its service life shall be collected as separate waste. Therefore, any products that have reached the end of their useful life must be given to waste disposal centres specialising in separate collection of waste electrical and electronic equipment, or given back to the retailer at the time of purchasing new similar equipment, on a one for one basis. The adequate separate collection for the subsequent start-up of the equipment sent to be recycled, treated and disposed of in an environmentally compatible way contributes to preventing possible negative effects on the environment and health and optimises the recycling and reuse of components making up the apparatus. Abusive disposal of the product by the user involves application of the administrative sanctions according to the laws.

Towel Rail Installation

- Read the instruction sheet carefully before installation.
- Installation should be completed by a professional electrician.
- Please dispose the package properly.

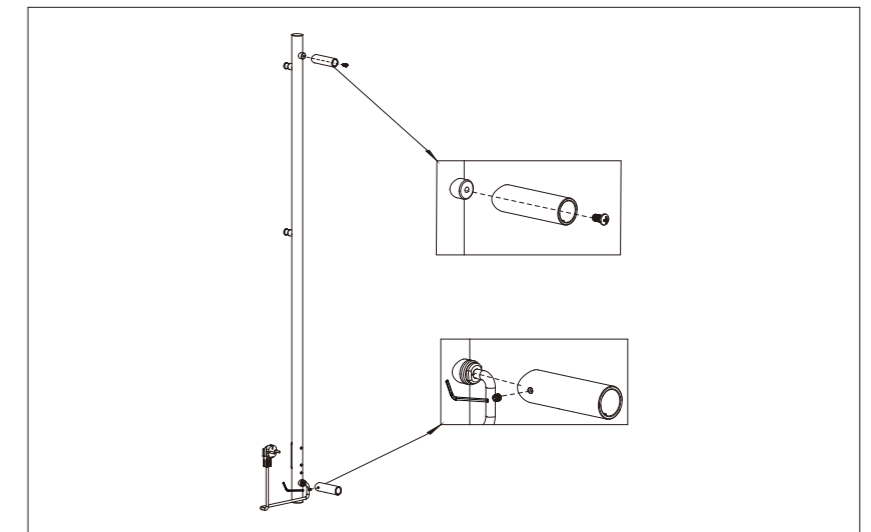


	Round support tube	X 1
	Round support tube (with a wire-passing notch)	X 1
	Expansion tube	X 2
	Expansion screw	X 2
	Mounting base	X 2
	Cross recessed screw	X 1
	Cone-shaped end set screw	X 3
	Allen wrench	X 1



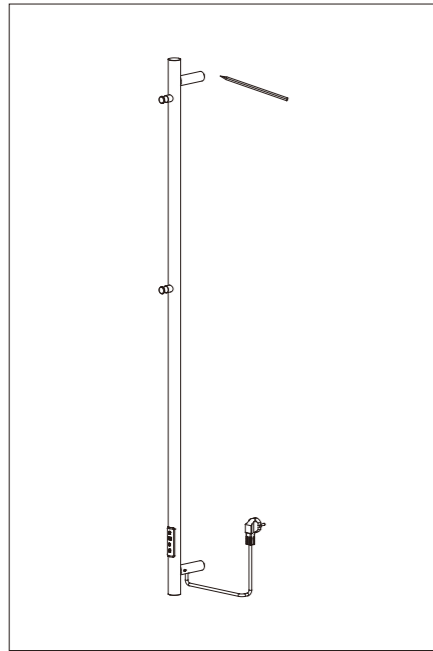
Step 1

Please confirm the mounting position before installation.



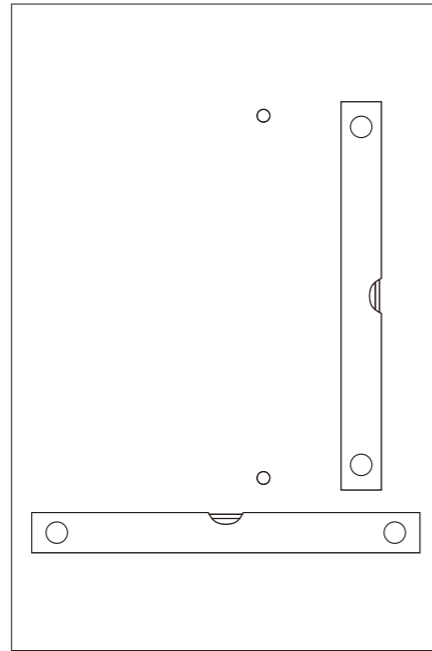
Step 2

Fix the round support tube to the nut on the back of the radiator with a cross recessed screw. Slip the round support tube with a wire-passing notch over the nut at the power cable and fix the cone-shaped end set screw with an Allen wrench.



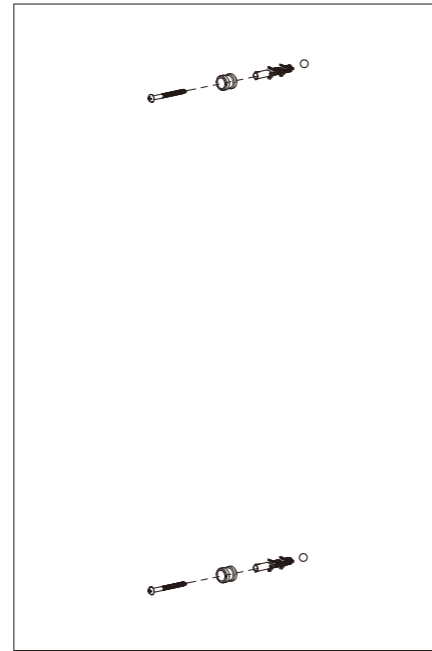
Step 3

Place the radiator on the wall to be installed, and mark the location of the wall bracket screws with a pencil.



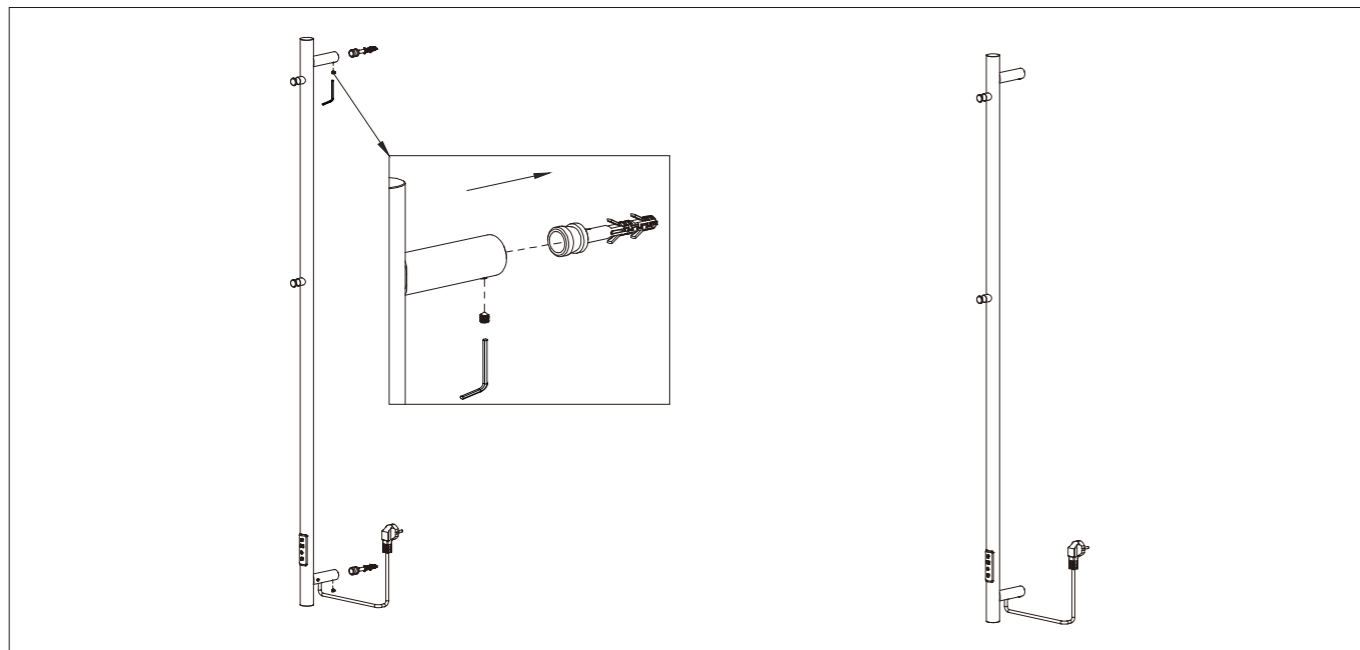
Step 4

Drill holes in the marked locations with an 8mm drill bit.



Step 5

Tap the expansion tube into the drilled hole and fix the mounting base on the wall with expansion screws.



Step 6

Assemble the radiator to the mounting base on the wall. Screw and tighten the cone-shaped end set screws into the screw holes of the round support tubes with an Allen wrench.

OI (operating instructions)

1. Basic description

- 1.1 Power supply specification: AC230V / 50Hz
- 1.2 Working temperature range: 0~85°C
- 1.3 Temperature setting range: 30~60°C
- 1.4 Timing time: 1~8 hours
- 1.5 Function: constant temperature function, timing function

2. Digital display description

2.1 Shutdown status: The screen displays as below.



2.2 Power on: Adjustable setting temperature range 30°C~60°C, adjustable timing time 1~8 hours and normally open (ON). (as shown below)



2.3 Heating status: The white dot in the frame in the figure below flashes when the device is in the heating status. (as shown below)



3. Operating instructions

3.1 Power on/off: Short press to switch the device on. Short press again to switch the device off.

3.2 Timing setting: The temperature is fixed at 60°C in timing mode. There are 9 selections in this mode. They are 1-8H and "ON". Short press and then the digital display will flash, one press for 1H increase, up to 8H, and one more press from 8H to "ON" mode ("ON" means to enter the normally open state, and the heating has no time limit). Then short press again to return to 1H. After the time is set, it will enter the working state if it is not operated for 3s, and the digital display will stop flashing. The device automatically shuts down after the heating time ends.

3.3 Temperature setting: Short press and the digital display will flash. Press to adjust temperature. One press for 5°C increase, up to 60°C. After adjusting the temperature to 60°C, short press again, the setting temperature will back to 30°C. After the temperature is set, it will enter the working state if it is not operated for 3s, and the digital display will stop flashing.

4. Temperature compensation setting

4.1 In the OFF state, long press for 3s to enter temperature compensation setting. Short press to select from these three options: 0°C, 5°C, -5°C. The default setting is 0°C (as shown below). Short press to confirm and then exit temperature compensation setting.



5. Error display

5.1 When the temperature probe is abnormal, the digital tube will display as below.

