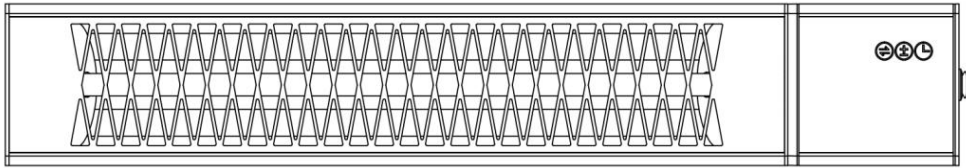


# Instruction Manual

## Electric Patio Heater

Model:1820166



**Please read these instructions carefully before using your new heater.**

**Unpack the heater to make sure that all the items are present and that there are no components left in the box and that the heater head is free from any packing material.**

**Using the detailed drawing follow the steps to assemble your heater.**

**Do not connect the heater to the electrical supply until all the assembly is complete.**

**Do not connect the heater to the electrical supply if any of the components or the power cord is damaged in any way.**

**If in doubt contact your supplier.**

**WARNING:** This heater is not equipped with a device to control the room temperature. Do not use this heater in small rooms when they are occupied by persons not capable of leaving the room on their own, unless constant supervision is provided.

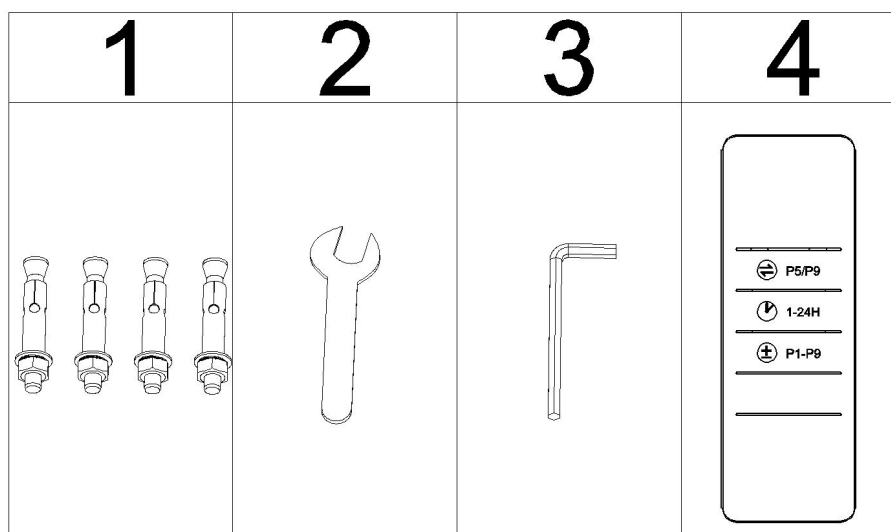
### **Caution**

Some parts of this product can become very hot and cause burns. Particular attention has to be given where children and vulnerable people are present.

1. Mount the heater outside or in a large open area and well away from any obstructions such as branches or where the heater is near any objects that can be affected by heat, such as furniture, curtains or other inflammable objects (minimum distance 1 meter).
2. Do not position immediately above or below an electrical socket.
3. The unit must be placed with the clearance of 180cm to the floor and 30cm to the ceiling.
4. The heater must be installed at least 1,8 m above the floor.
5. When the power supply cord is damaged, it must be replaced by authorized agent or other professional people to avoid danger.
6. This appliance is not intended for use by persons (including children) with reduced physical. Sensory or mental capabilities, or lack of experience and knowledge, unless they have been given supervision or instruction concerning use of the appliance by a person responsible for their safety.
7. Children should be supervised to ensure that they do not play with the appliance.
8. Do not use it near bath tubs, wash areas or swimming pools.
9. Do not use it in unventilated areas
10. Do not use where gas, petrol, paint or other inflammable goods are stored.
11. Do not move when connected to an electrical supply and always wait until the patio heater cool down before storing away.
12. Do not touch the heater head when in use.
13. Do not leave after turn it on and unattended especially when children or animals are in the vicinity.
14. The indication of different positions of switches should be visible from a distance of 1m at least.
15. The marking concerning covering shall be visible after the heater has been installed. It shall not be placed on the back of heaters.
16. The heater must be correctly installed according to the instructions.
17. The heater must be securely placed on a horizontal and flat wall surface.
18. The heater will be at high temperature when in use. It keeps hot for a period after shut down. Potential danger would occur when you touch it during this period.
19. Don't place the heater closed to curtain or other flammable objects. Otherwise there will be a danger of catching fire.
20. Don't cover the heater with anything when in use or a short time after it is shut down.

21. Don't wrap the power supply cord on the heater.
22. The heater must be handled with care, and avoid vibration or hitting.
23. The heater must be securely grounded when in use.
24. If the heater gets damaged, it must be repaired by professional electricians.
25. When assembling, keep away from any board or flammable material.
26. The heater must be supervised by adults when it is used by a child.
27. It is not safe to install the heater near a swimming pool, in a bathroom or shower area.
28. The heater is for household use only. It is not safe to use on a building site, greenhouse, barn or stable where there's flammable dust.
29. The heater is at high temperature when in use. Unplug the heater and wait until it cools down before cleaning.
30. Don't use this heater in place where causticity or volatile air exists, such as dust, steam, gas, etc.
31. Don't use this heater as a cloth drier or towel drier.
32. Don't use this heater as a sauna heater.
33. Don't use this heater in place of animal propagating and raising.
34. The heater should be plugged in a socket, which is easily visible and reachable.
35. Do not use this heater in the immediate surroundings of a bath, a shower or a swimming pool.
36. Do not use this heater with a programmer, timer, separate remote-control system or any other device that switches the heater on automatically, since a fire risk exist if the heater is covered or positioned incorrectly.
37. Place the heater outside or in a large open area and well away from any obstructions such as branches or where the heater is close to any objects that can be affected by heat, such as furniture, curtains or other inflammable objects (minimum distance 1 meter).
38. The instruction manual shall provide adequate instructions for connection to the supply ensuring an equivalent protection!
39. If the supply cord is damaged, it must be replaced by the manufacturer, its service agent or similarly qualified persons in order to avoid a hazard.

## Accessories

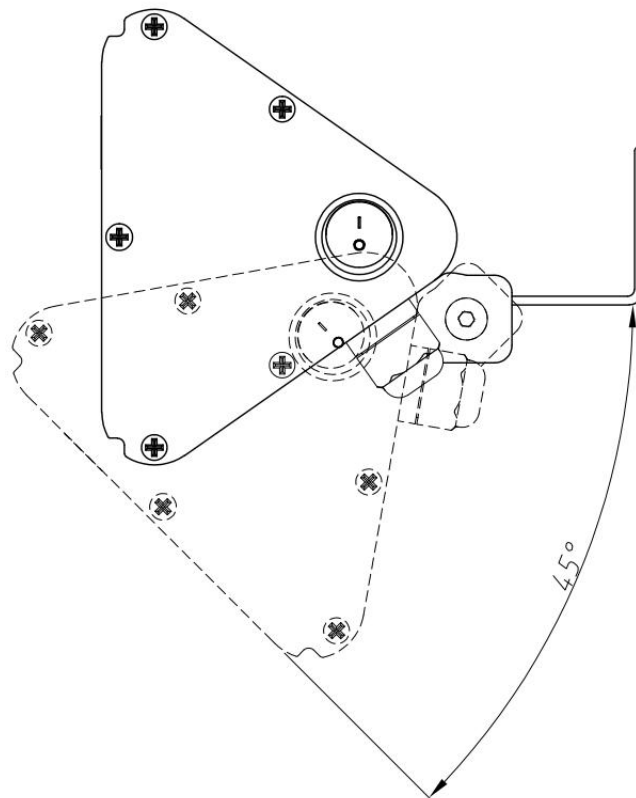


Ref.	Name	Qty
1	Explosive bolt M6*50	4
2	M6 spanner	1
3	'L' hexagonal wrench	1
4	Remote control	1

## Installation

Heater ZHQ2582-RMM is built with the best quality components in accordance to the prevailing legal regulations and certified for safety in use. For best results from the appliance please ensure that the installation is done by a qualified electrician in accordance with the following instructions and taking full account of current regulations. When using the heater, please carefully follow the instructions and recommendations below.

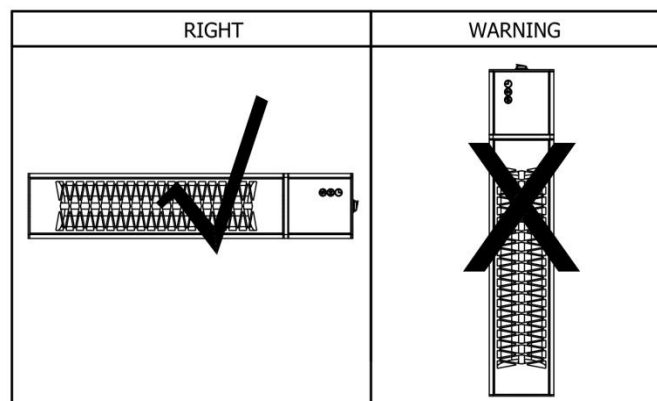
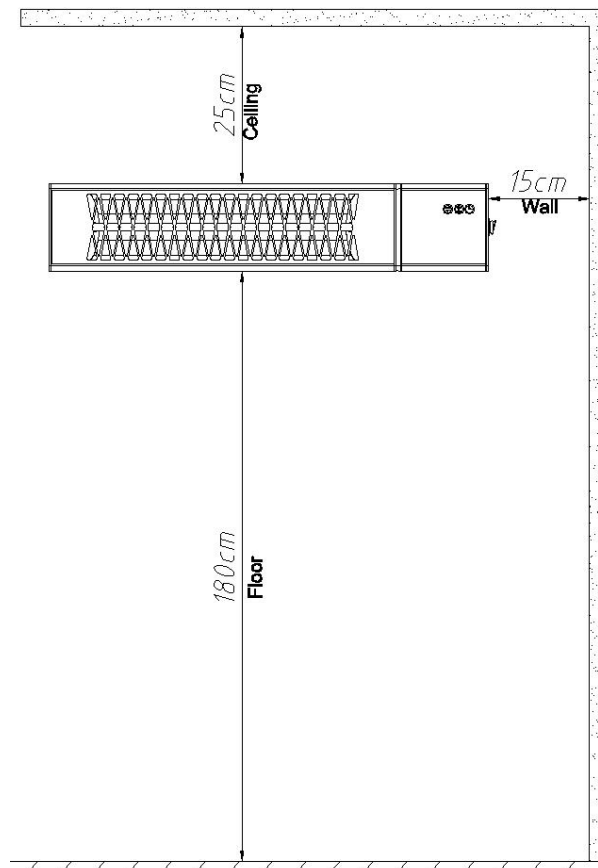
- You could loosen the two M6\*10 screws by the 'L' hexagonal wrench to change the best Angle of heating. Then retighten them.



**Don't pass the limit!**

## Installation to Wall

- When fixing the heater to a wall, ensure hinges are in the underside so that the lid hands down in the open position.
- Minimum required distances:
  - a) 15cm from the side wall
  - b) 25cm from the ceiling
  - c) Installation height above 180cm



- The heater must be fixed to a wall with the bracket supplied to allow adequate ventilation.
- Never fix or place heater near flammable or combustible materials.

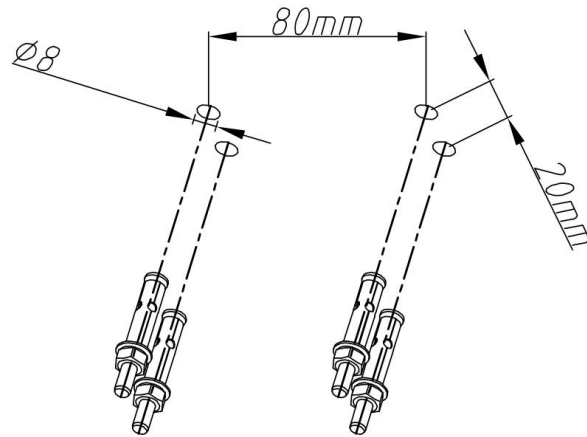
- Generally heaters must be placed at a safe distance (clear space) of at least 2.0m from combustible materials and glass walls. If installed in workshops or garages where inflammable or combustible paints are used, the heaters must be installed at a distance of at least 4.0m from the source of danger.
- If the heaters are placed in areas where spray painting of any description is taking place, they should not be used during the painting operations.
- Never use the heater in particularly dusty and explosive areas.

### **Connection to 220-240 Volts Power Supply**

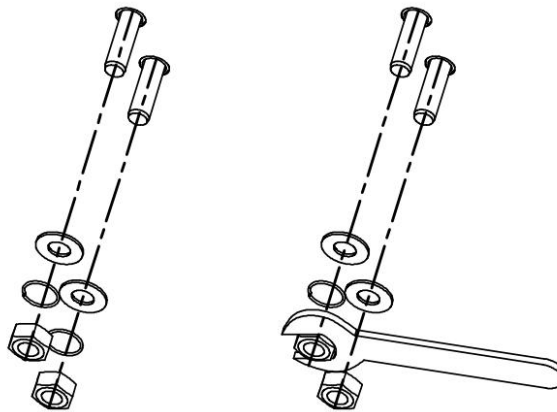
- It is important to ensure that the electricity supply is of adequate capacity for the electrical load required by the appliance being installed.
- These appliances must be earthed.

# Assembling Process

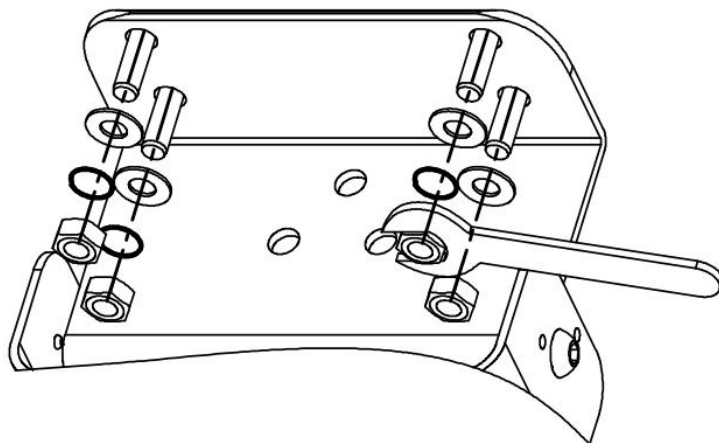
**Step 1:** put 4 Explosive bolt M6\*50① into the wall.



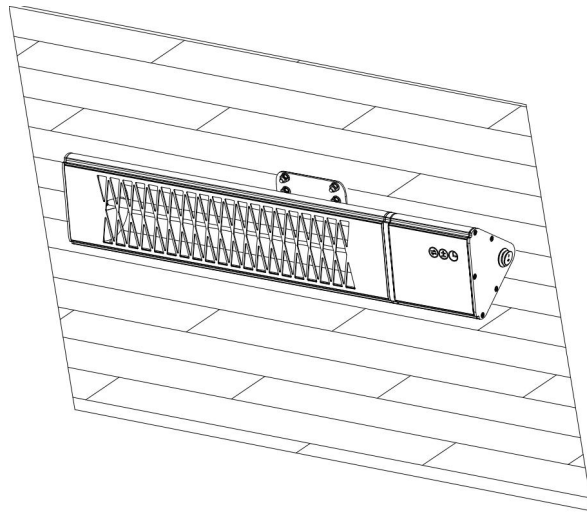
**Step 2:** Take off the nuts, the spring locks washers and the plain washers from four explosive bolts. Keep them for the next step.



**Step3:** Installer the heater on the wall



**Complete!**



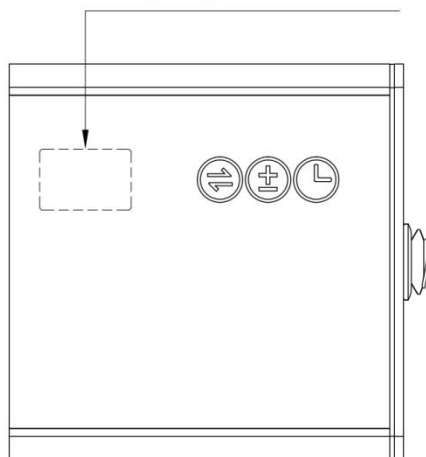
**Operation**



Connect the power cable to at least 13 amp supply which is located in a safe, dry area.

- The switch on the heater is used to control the Heater. When the position mean on the **【I】** , the heater will be in standby mode, The **【O】** position will turn off the Heater.

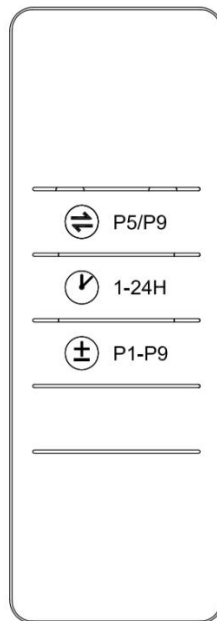
Display window



Control panel



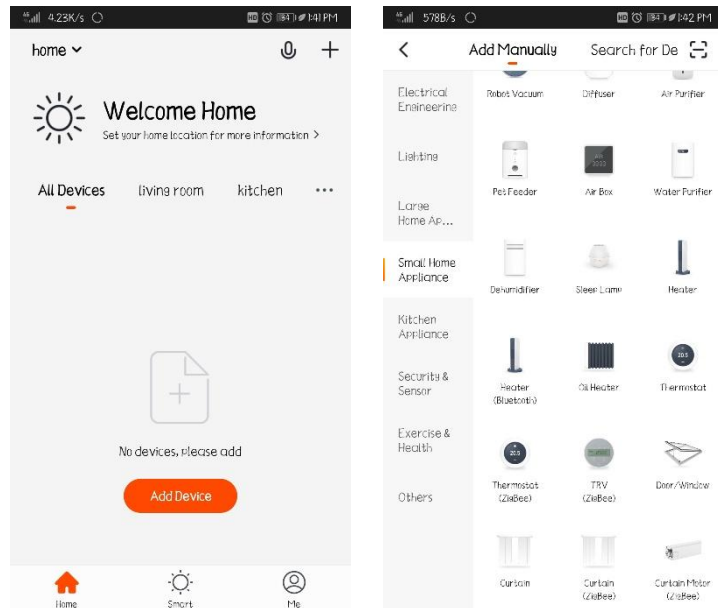
- The remote control:



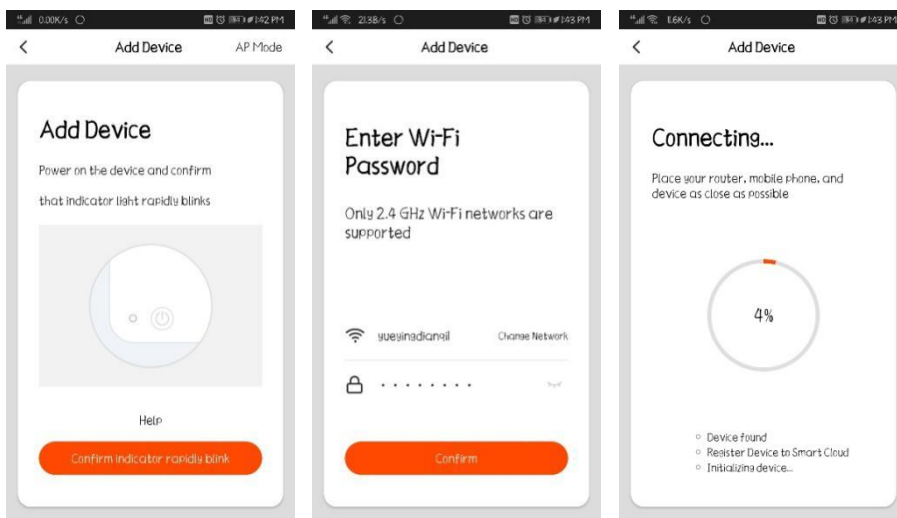
- Aim the remote source transmitter at the display window on the control panel
  - Press "↶" once, the display window show P5. Press "↶" twice, the display window show P9.  
Press "↶" three times, turn off the heater.
  - Press "±", the display window show P1. Press "±" every time, the mode upshift till to P9. Press "±" again, the mode downshift, till to turn off the heater.
- Press "⌚" at any working mode to enter timing selection mode. Press "⌚" again, the timer cycle switching from 1 to 24 Hours. Waiting for 3 second, the timer confirm the timing automatically.
  - WIFI operation
  - Download TUYA APP in the app store. Login/register according to the interface prompt.



- Select and add the product in the current interface after login, and then select "Small Home Appliance".



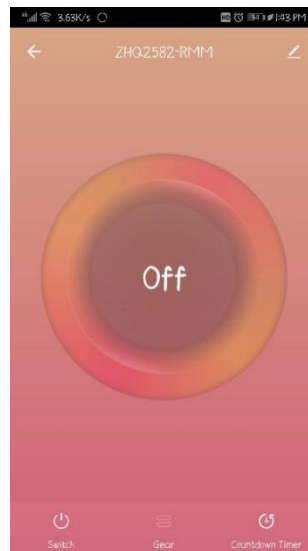
- Select "Confirm Indicator Rapidly Blink", enter WIFI password, and then connect it.



- When device matched successful, you can editor the item No.. It will be completed.



- Enter the operation interface, click the button under the App to adjust switch/setting/timer.



- Although the patio heater is waterproof, do not use when raining or in wet conditions.
- Never connect the power cable from the electrical supply, when the patio heater is not in use.

### **Care and maintenance**

- When disconnected from the electrical supply, clean the surface of the patio heater with a damp cloth. Never use corrosive or solvent cleaners or immerse in water.
- Any maintenance or repairs including replacing the halogen tube should only be carried out by a qualified electrician or by a recommended service center.

### **Technical specification**

- Power supply 220V-240V 50Hz-60Hz
- Wattage max 2500W
- Insulation class I