

DISPLAY

Type	TZMAP9: Color TFT Multi Touch TZMAP13: Color TFT Multi Touch
Screen Size	TZMAP9: 9" Wide TZMAP13: 12.8" Wide
Screen Resolution	TZMAP9: HD 1280 x 720 TZMAP13: FHD 1920 x 1080
Screen Brightness	1000 cd/m ² (typical)
Language	Bulgarian, Chinese (Simplified/Traditional), Danish, English (US/UK), Finnish, French, German, Greek, Italian, Japanese, Norwegian, Portuguese, Russian, Spanish, Swedish, Turkish, Polish

GNSS/WAAS

Receive Type	GNSS: 72 channels WAAS: 1 channel
Receiving Frequency	L1 (1575.42 MHz)
Time to First FIX	100 s approx. (cold start)
Accuracy	10 m (GPS), 7 m (MSAS), 3 m (WAAS)
Position Update Interval	100 ms or 10 Hz

CHART PLOTTER

Cartography	TZ MAPS, MM3 Vector, CMOR capable (U.S. only)
Memory Capacity	30,000 user points, 100,000 points for ship's tracks, 200 planned routes (500 points per route)

FISH FINDER

Transmit Frequency	CW: 50/200 kHz, CHIRP: 40 to 240 kHz (Low, Medium, High)
Transducer	300 W/600 W or 1 kW* (* Matching box MB1100 required for some transducers)
Range	TrueEcho CHIRP™, ACCU-FISH™, Bottom Discrimination™, Auto gain (Fishing/Cruising), A-Scope, Marker Zoom, Bottom Zoom, Bottom Lock
Modes	* CHIRP dedicated transducer required. ** Dual frequency compatible transducer required.
Picture Advance	8 steps: x4, x2, 1/1, 1/2, 1/4, 1/8, 1/16, stop
Fish Finder Alarms	Fish School, Fish School for bottom lock

SIDE-SCAN

Transmit Frequency	CHIRP: 220-240 kHz/445-465 kHz
Transducer	230 kHz: 225T-PR904, 225T-SS904, 225T-TM904 / 455 kHz: 455T-PR903, 455T-SS903, 455T-TM903
Display Range	750 feet to each side
Display Colors	8 high contrast color themes
Display Screen Sizes	Full Screen, 1/2 Screen, 1/4 Screen

INTERFACE

NMEA2000	1 Port NMEA 2000 Edition 3.100 Input: 059392, 059904, 060160, 060416, 060928, 061184, 065240, 065280, 126208, 126464, 126720, 126983, 126985, 126992, 126996, 126998, 127237, 127245, 127250, 127251, 127252, 127257, 127258, 127488, 127489, 127493, 127498, 127503, 127505, 127506, 127508, 128259, 128267, 129025, 129026, 129029, 129033, 129038, 129039, 129040, 129041, 129291, 129538, 129540, 129793, 129794, 129795, 129797, 129798, 129801, 129802, 129808, 129809, 129810, 130306, 130310, 130311, 130312, 130313, 130314, 130316, 130576, 130577, 130578, 130817, 130818, 130820, 130822, 130823, 130826, 130827, 130828, 130845, 130846, 130848, 130880 Output: 059392, 059904, 060928, 061184, 065287, 126208, 126464, 126720, 126984, 126992, 126993, 126996, 126998, 127250, 127251, 127257, 127258, 128259, 128267, 128275, 129025, 129026, 129029, 129033, 129283, 129284, 129285, 130306, 130310, 130312, 130313, 130314, 130316, 130821, 130822, 130823, 130827, 130841
LAN	1 Port (100 BASE-TX)
USB	1 Port for user data import and export
NMEA0183	1 Serial Output Port
SD Card Slot	1 Slot (Micro SDXC)
Transducer Connection	1 Port 10 pin for CHIRP/CW, 1 Port 12 pin for Side-Scan

ENVIRONMENT

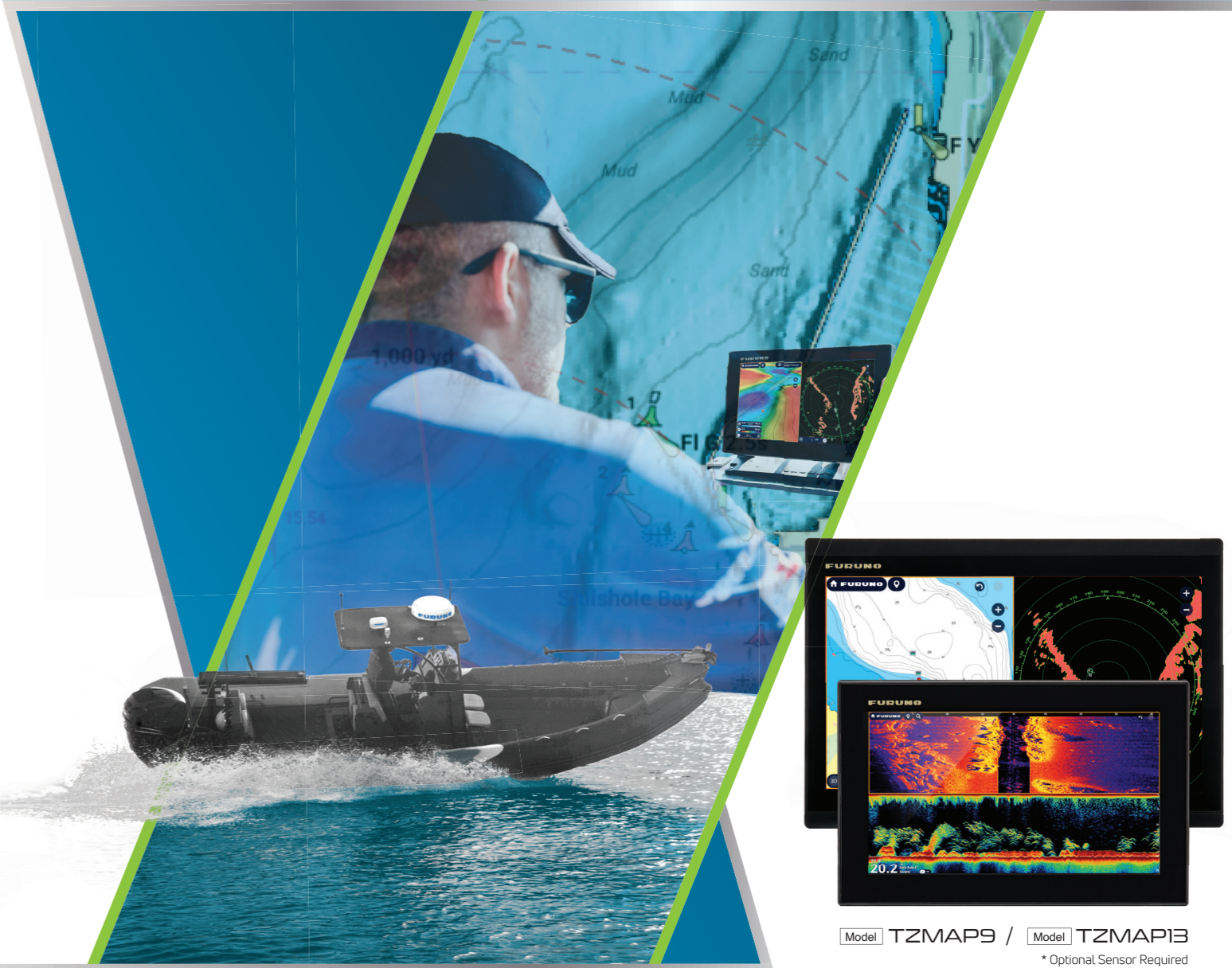
Temperature	-15°C to +55°C
Waterproofing	IPX6

POWER SUPPLY

TZMAP9:	12-24 VDC, TBD A
TZMAP13:	12-24 VDC, TBD A

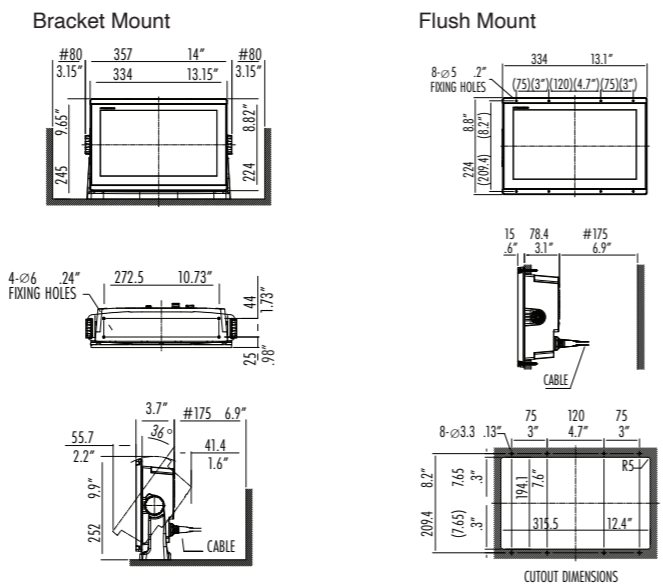
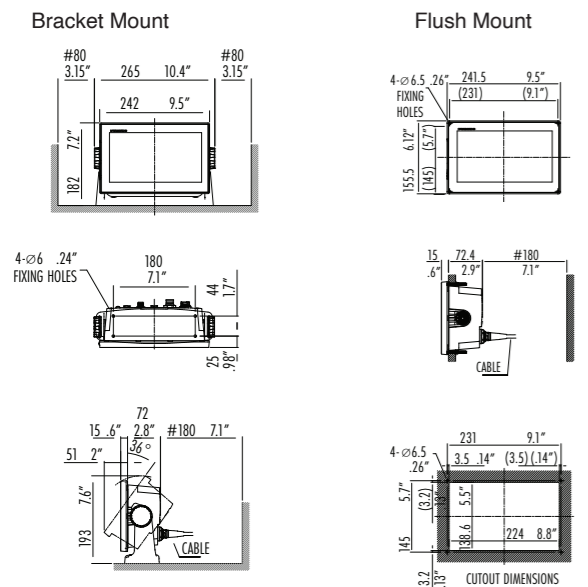
TZMAP

Stand-Alone Multi Function Displays



TZMAP9 Display Unit ~ 1.9 kg 4.2 lb (w/o bracket & knobs)

TZMAP13 Display Unit ~ 3.2 kg 7.1 lb (w/o bracket & knobs)



SPECIFICATIONS SUBJECT TO CHANGE WITHOUT NOTICE

Catalog No. CA000002754

- | | | | | |
|---|---|--|---|--|
| <p>FURUNO ELECTRIC CO., LTD.
Japan www.furuno.com</p> <p>FURUNO U.S.A., INC.
U.S.A. www.furunousa.com</p> <p>FURUNO PANAMA S.A.
Republic of Panama www.furuno.com.pa</p> <p>FURUNO (UK) LIMITED
U.K. www.furuno.co.uk</p> <p>FURUNO NORGE A/S
Norway www.furuno.no</p> | <p>FURUNO DANMARK A/S
Denmark www.furuno.dk</p> <p>FURUNO SVERIGE AB
Sweden www.furuno.se</p> <p>FURUNO FINLAND OY
Finland www.furuno.fi</p> <p>FURUNO HELLAS Sp. Z o.o.
Poland www.furuno.pl</p> <p>FURUNO DEUTSCHLAND GmbH
Germany www.furuno.de</p> | <p>FURUNO FRANCE S.A.S.
France www.furuno.fr</p> <p>FURUNO ESPAÑA S.A.
Spain www.furuno.es</p> <p>FURUNO ITALIA S.R.L.
Italy www.furuno.it</p> <p>FURUNO POLSKA Sp. Z o.o.
Greece www.furuno.gr</p> <p>FURUNO (CYPRUS) LTD
Cyprus www.furuno.com.cy</p> | <p>FURUNO EURUS LLC
Russian Federation www.furuno.ru</p> <p>FURUNO SHANGHAI CO., LTD.
China www.furuno.com/cn</p> <p>FURUNO CHINA CO., LTD.
Hong Kong www.furuno.com/cn</p> <p>FURUNO KOREA CO., LTD
Korea</p> <p>FURUNO SINGAPORE
Singapore www.furuno.sg</p> | <p>PT FURUNO ELECTRIC INDONESIA
Indonesia www.furuno.id</p> <p>FURUNO ELECTRIC (MALAYSIA) SDN. BHD.
Malaysia www.furuno.com/my</p> <p>BEWARE OF SIMILAR PRODUCTS
All brand and product names are trademarks, registered trademarks, or service marks for their respective holders.</p> <p>SPECIFICATIONS SUBJECT TO CHANGE WITHOUT NOTICE
Printed in Japan</p> |
|---|---|--|---|--|

Model TZMAP9 / Model TZMAP13
*Optional Sensor Required





Big Performance. Compact Simplicity.

Furuno's legacy of innovation continues with the TZMAP9 and TZMAP13 Stand-Alone MFDs, designed for boaters who demand reliable navigation, precision fish finding, and industry-leading charts in a simplified, easy-to-use package. Whether you're outfitting a compact vessel or adding a dedicated station to a larger helm, these Stand-Alone MFDs put TZ MAPS, the most powerful charting available, right at your fingertips.

The TZMAP9 and TZMAP13 offer the ultimate combination of simplicity, power, and precision, all in a stand-alone unit. With built-in TruEcho CHIRP™ Fish Finder technology, CHIRP Side-Scan, Radar compatibility, and the capabilities of TZ MAPS, you'll have the best of the big-boat features in a compact, accessible package.

Compact in size and packed with features, the TZMAP series helps you navigate smarter, fish better, and go farther – all with Furuno performance you can trust.

The Perfect Solution For The Following:

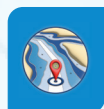
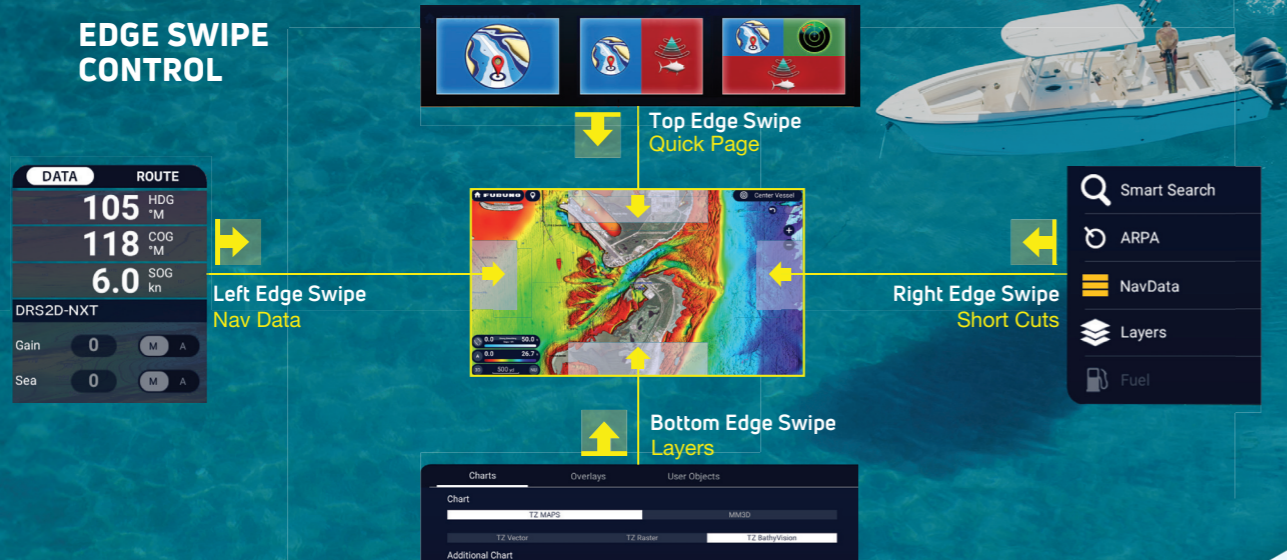
- Compact fishing boats
- Kayaks and inflatable fishing boats
- Trailerable boats
- Budget-conscious upgrades without network complexity



Touchscreen Simplicity, TZtouchXL Power.

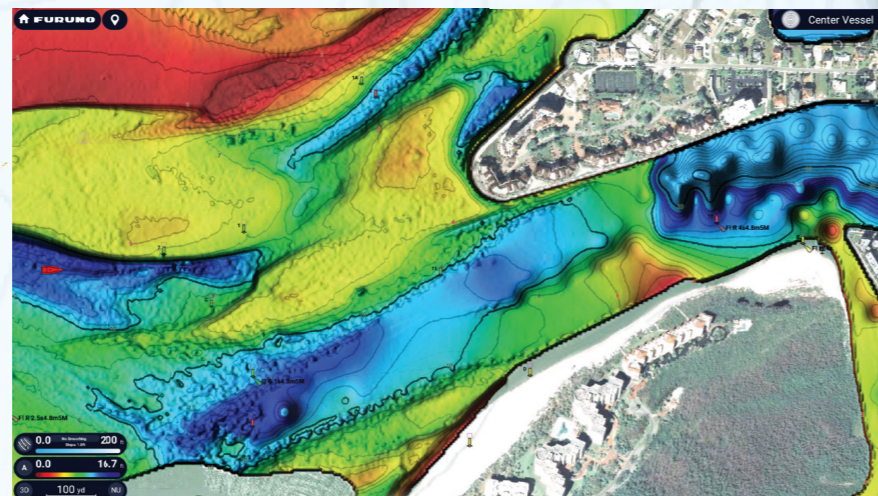
The TZMAP9 (9") and TZMAP13 (13") feature sleek, glass-front TFT displays with responsive, sunlight-readable multi touch control. They're powered by a streamlined version of Furuno's TZtouchXL operating system, delivering the same intuitive experience in a stand-alone unit built for compact spaces and smaller helms.

EDGE SWIPE CONTROL

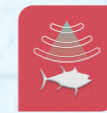


TZ MAPS: The Most Advanced Charting System Ever Offered by Furuno

Explore with confidence using TZ MAPS, Furuno's groundbreaking charting platform. Built from official hydrographic data, high-resolution BathyVision™ bathymetry, satellite imagery, and community-sourced content, TZ MAPS offers unrivaled chart detail and customization. Highlight depths, apply terrain shading, or instantly adjust color themes to fit your needs.

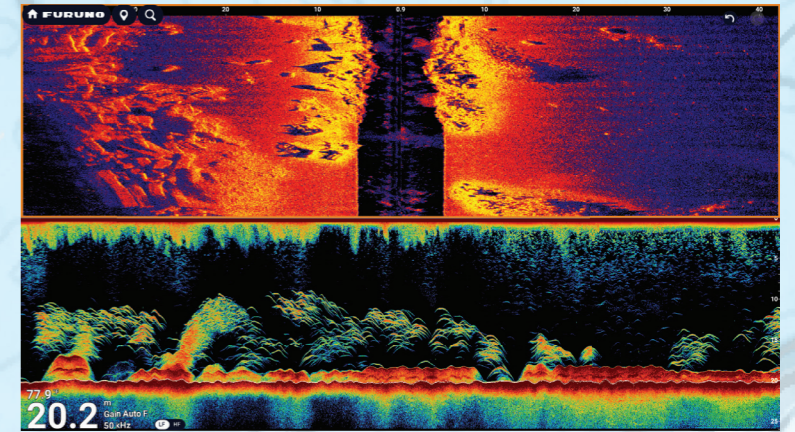


Customizable TZ MAPS with highly detailed Terrain Shading and interactive Community Maps keep you fully informed



Fish Finding Built In

Whether you're scanning structure or marking fish in the water column, the built-in single-channel TruEcho CHIRP™ or CW Fish Finder and CHIRP Side-Scan deliver Furuno's legendary detection and detail.

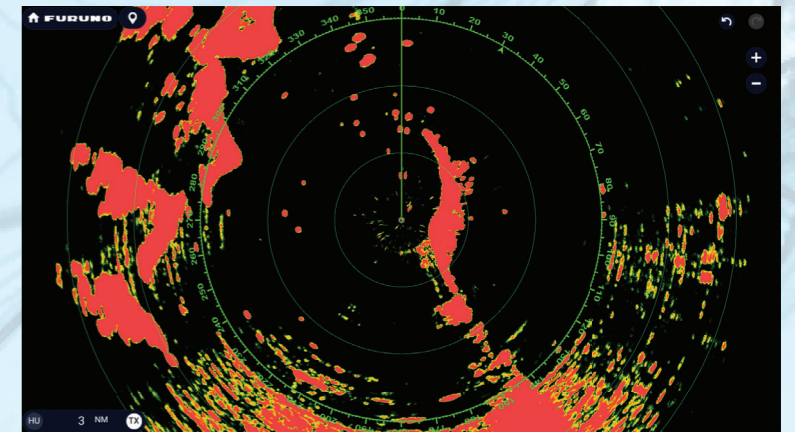


Built-in single-channel CHIRP or CW Fish Finder plus CHIRP Side-Scan



Radar Ready

Integration with select models, including the DRS4DL+, and the DRS2DNXT/DRS4DNXT Solid-State Doppler Radars. Whether you're tracking weather or monitoring nearby vessel traffic, Radar adds an extra layer of safety and situational awareness.

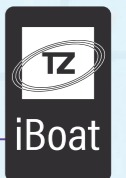
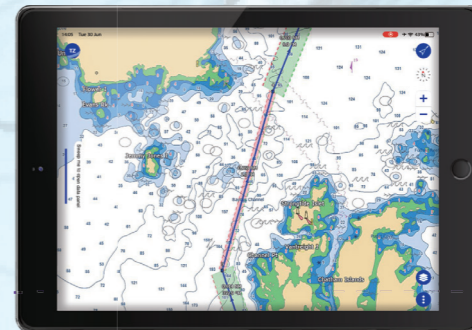


Add confidence with compact Radar options DRS4DL+, DRS2DNXT, or DRS4DNXT



App Connected

Use the TZ iBoat App on your phone or tablet in conjunction with the TZMAP to gain Dynamic Mooring, weather, and fishing data.

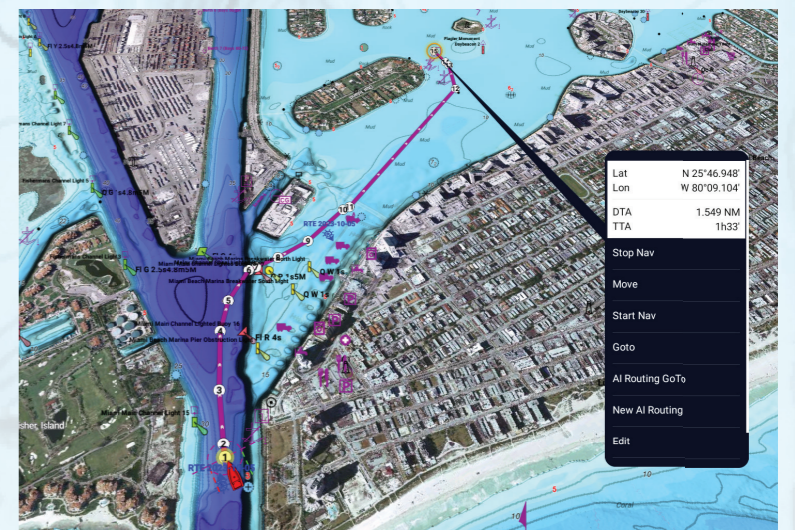


Monitor and control your vessel from your smartphone or tablet with the TZ iBoat App



Smart Routing, Smarter Boating.

With built-in support for AI Routing, TZMAP9 and TZMAP13 make planning safer and easier than ever before. AI Routing automatically calculates the best route to your destination while factoring in chart data, depths, and known hazards. Simply tap and go!



AI Routing suggests the safest path automatically—no guesswork required