

BLAS

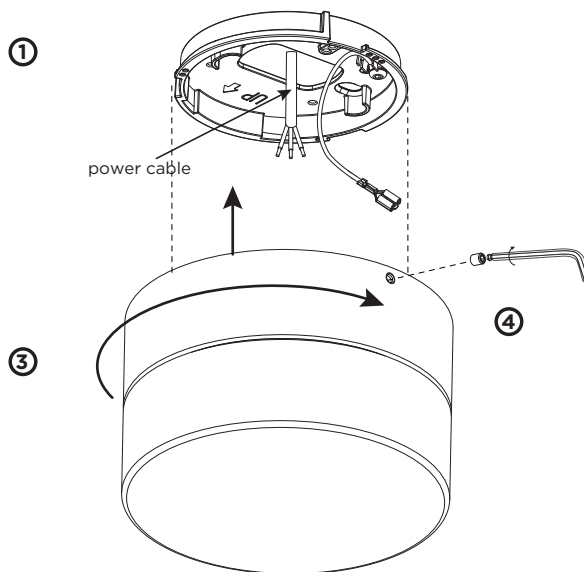
27-Sep.-2016

1.0
LED 8W 220-240VAC PCB 3-step incl.PS phase-cut dim 3000K >80CRI 657lm
CE IP65 0-10V [Energy Star] [RoHS] [REACH] [Globe]
white texture 736187W4
dark grey texture 736187D4

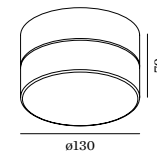
1.0
LED 8W 220-240VAC PCB 3-step incl.PS phase-cut dim 3000K >90CRI 580lm
CE IP44 0-10V [Energy Star] [RoHS] [REACH] [Globe]
white texture (INDOOR) 156187W5

2.0
LED 8W 220-240VAC PCB 3-step incl.PS phase-cut dim 3000K >80CRI 657lm
CE IP65 0-10V [Energy Star] [RoHS] [REACH] [Globe]
white texture 736287W4
dark grey texture 736287D4

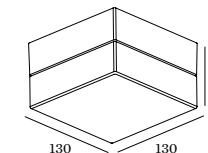
2.0
LED 8W 220-240VAC PCB 3-step incl.PS phase-cut dim 3000K >90CRI 580lm
CE IP44 0-10V [Energy Star] [RoHS] [REACH] [Globe]
white texture (INDOOR) 156287W5



DIMENSIONS



BLAS 1.0



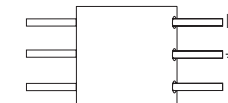
BLAS 2.0

MOUNTING INSTRUCTION

- 1 Remove the mounting base from the BLAS and mount it on the ceiling with screws.

POWER CONNECTION

- 2 Connect the power supply connection: STANDARD version



Mounting base earthing plug:



- 3 Mount the luminaire on the base by gently rotating.
Note: Grip the metal part of luminaire when mounting. Do not rotate the glass part.
- 4 Lock the luminaire on the base with the socket screw.

Mounting Base:
for wall + ceiling

