

# BOX

08-Jan.-2019

## 1.0 LED INTERIOR

LED 6W | 220-240VAC | 50-60Hz | PCB 3-step | incl. PS | phase-cut dim

CE IP20

### aluminium

	white texture	331168W_
	aluminium brushed	331168L_
	gold	331168G_
	bronze	331168Q_
	copper	331168P_
	black texture	331168B_

### wood

	walnut wood	331168WN_
--	-------------	-----------

### LIGHT COLOUR

2700K   >80CRI   400lm	2
3000K   >80CRI   440lm	4
1800-2850K   >80CRI   400lm	9

## 1.0 QT14

QT14 max. 75W | G9 | 220-240VAC | 50-60Hz

CE IP20

### aluminium

	white texture	3211G0W0
	aluminium brushed	3211G0L0
	gold	3211G0G0
	bronze	3211G0Q0
	copper	3211G0P0
	black texture	3211G0B0

### wood

	walnut wood	3211G0WN0
--	-------------	-----------

### OPTIONAL

for QT14 lamps see our catalogue	
flaps for adjustable beam angle	900401W0

## 1.0 LED EXTERIOR

LED 6W | 220-240VAC | 50-60Hz | PCB 3-step | incl. PS | phase-cut dim

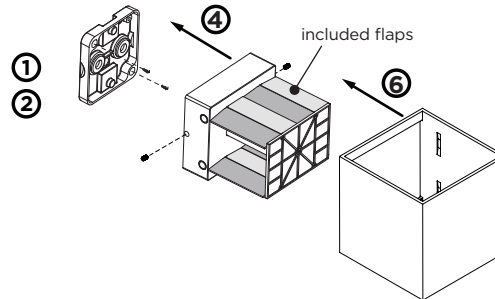
CE IP65

	white texture	740168W_
	dark grey texture	740168D_
	black texture	740168B_
	bronze	740168Q_

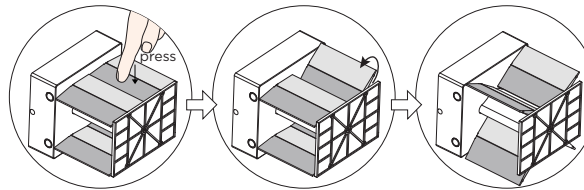
### LIGHT COLOUR

2700K   >80CRI   400lm	2
3000K   >80CRI   440lm	4

### 1.0 LED INTERIOR EXTERIOR



with flaps, the beam angle is adjustable:

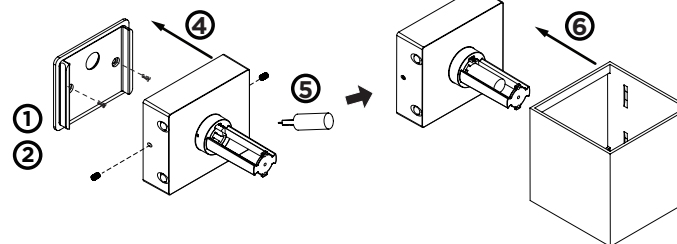


The light source of the integrated LED is not replaceable; When the light source reaches its end of life the whole luminaire should be replaced.

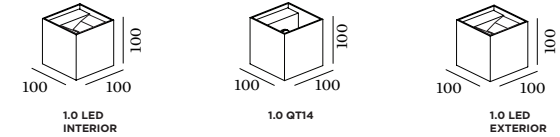


Caution, risk of electric shock

### 1.0 QT14 INTERIOR



## DIMENSIONS

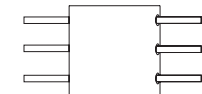


## MOUNTING INSTRUCTION

- Remove the lamp base
- Fixate the back plate to the wall with screws
- POWER CONNECTION**

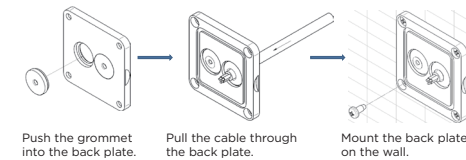
Connect the power supply.

Interior: STANDARD version



Exterior: WATERPROOF Connection

IP-rated connections for wall fixtures: cable isolation for round cables  $\varnothing$  4.5-7.5 mm, should be in the grommet. For cable use  $\varnothing$  7.0-9.5 mm: replace the grommet with the other grommet in the bag.



- Fixate the lamp base to the back plate.
- For QT14:** insert the lamp
- Fixate the lamp cover to the back base.



WEVER & DUCRÉ  
LIGHTING

www.weverducre.com

Wever & Ducré bvba Spinnerijstraat 99/21 8500 Kortrijk

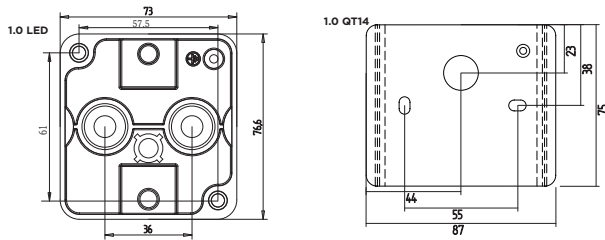
INSTALLATION  
INSTRUCTIONS

PAGE 1/2

# BOX

08-Jan.-2019

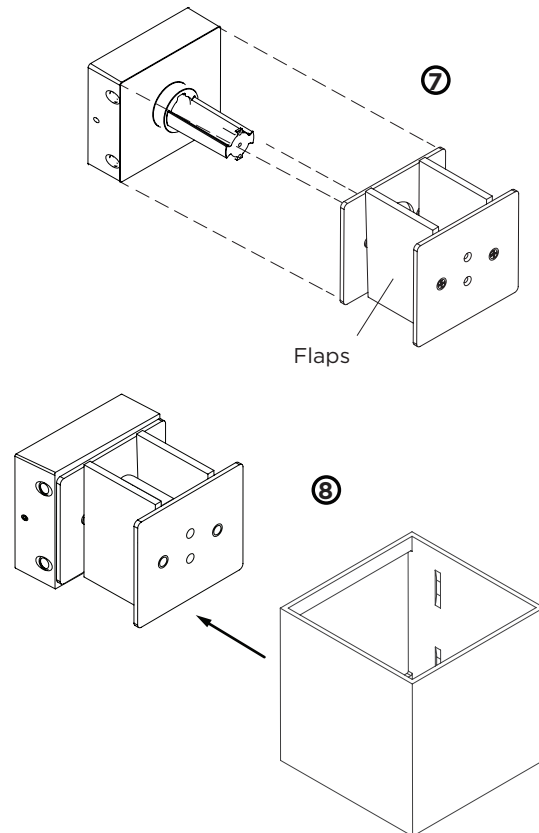
base plate dimensions



<p>use appropriate tool</p>	A	B	C
CABLE			
TYPE	ROUND H05RN-F H07RN8-F H07RN-F	ROUND H05RN-F	ROUND
OUTSIDE Ø	min 6.8mm max 8.9mm	min 5mm max 6.8mm	min 1.5mm max 2.6mm
CONDUCTION SECTION	2or3x 0.75mm <sup>2</sup> 2or3x 1.0mm <sup>2</sup> 2or3x 1.5mm <sup>2</sup>	2or3x 0.75mm <sup>2</sup> 2x 1.0mm <sup>2</sup>	0.75mm <sup>2</sup> 1.5mm <sup>2</sup>

## OPTIONAL (for QT14):

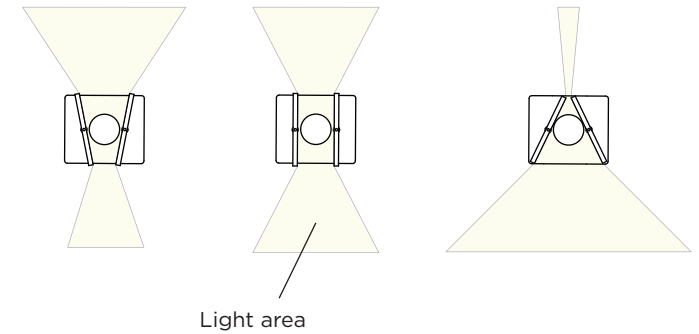
BOX flaps for adjustable beam angle  
900401W0



- ⑦ Before fixate the light cover to the back base, mount the BOX flap over the fixture base and fixate it with screws.
- ⑧ Fixate the lamp cover to the back base.

## EXPLANATION BOX FLAPS:

By rotating the arms of the BOX flaps separately, you can adjust the light beam angle. Below you can see some examples:



**WEVER & DUCRÉ**  
LIGHTING

[www.weverducre.com](http://www.weverducre.com)

Wever & Ducre bvba Spinnerijstraat 99/21 8500 Kortrijk

**INSTALLATION  
INSTRUCTIONS**

PAGE 2/2