

BEBOW

26-10-2015

1.0

LED 35W | 220-240VAC | 50-60Hz | PCB 3-step | incl. PS | phase-cut dim
opal cover

CE IP20 960° C 0.3m TE

3000K | >80CRI | 2450lm
white texture
black texture

132184W4
132184B4

2.0

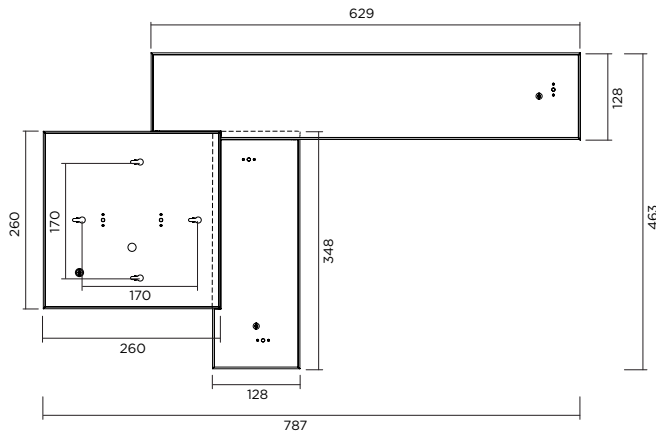
LED 55W | 220-240VAC | 50-60Hz | PCB 3-step | incl. PS | phase-cut dim
opal cover + 3x spot | two circuits

CE IP20 960° C 0.3m TE

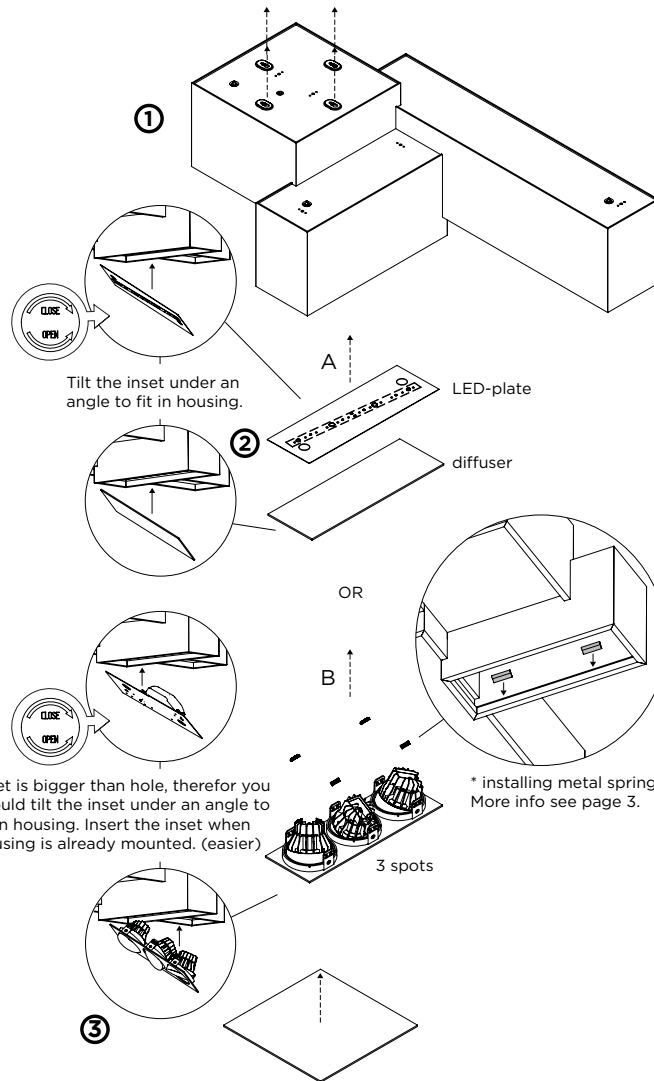
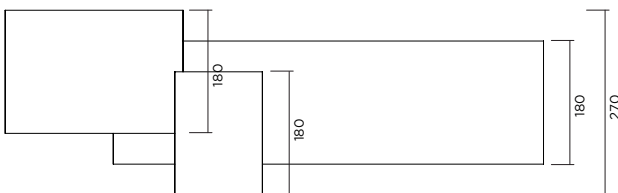
3000K | >80CRI | 3700lm
white texture
black texture

132164W4
132164B4

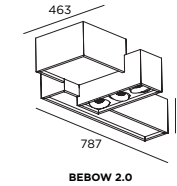
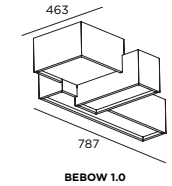
top view



side view



DIMENSIONS



① MOUNTING INSTRUCTION

Remove the diffuser of the square part and mount the BEBOW to the ceiling with 4 screws.

② POWER CONNECTION

Connect the complete fixture to 220-240V

for middle area (you can also connect the middle area before step ①)

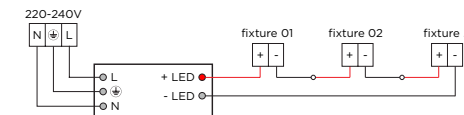
A - Opal diffuser

Connect the inner LED-plate to the base of the middle part. Turn the buttons inside of the middle area to fasten the LED-plate to the base. Close the middle area with the diffuser.

B - Spots

Before mounting the spots click the 4 metal springs by hand into the small recessed groove. Connect the 3 spots to the drivers and then insert into the middle area.

See serial connection wiring scheme below.



NOTE:

There is a possibility to make a separate circuit for the middle area.

So you can lighten up only the middle area.

③ Insert the diffuser of the square part back into the BEBOW.



WEVER & DUCRÉ
LIGHTING

www.weverducre.com

INSTALLATION
INSTRUCTIONS

PAGE 1/3

BEBOW

26-10-2015

1.0

LED 35W | 220-240VAC | 50-60Hz | PCB 3-step | incl. PS | phase-cut dim
opal cover

CE IP20 960°C 0.3m TE

3000K | >80CRI | 2450lm
white texture
black texture

132384W4
132384B4

2.0

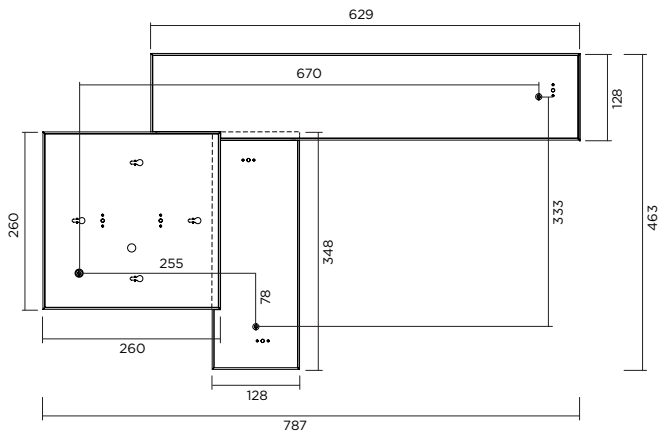
LED 55W | 220-240VAC | 50-60Hz | PCB 3-step | incl. PS | phase-cut dim
opal cover + 3x spot | two circuits

CE IP20 960°C 0.3m TE

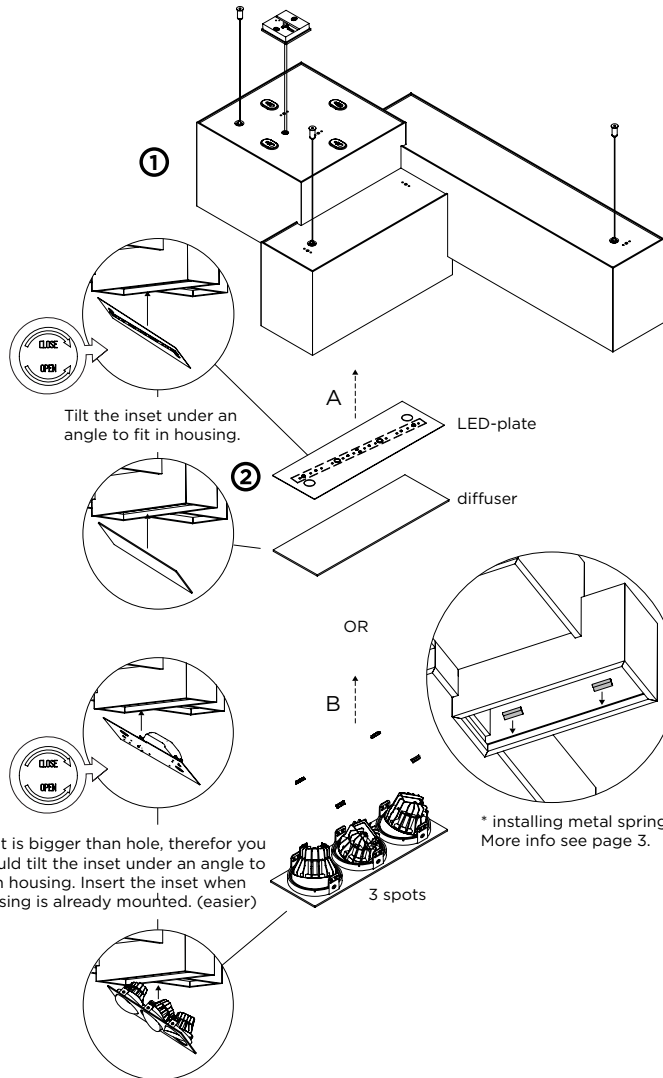
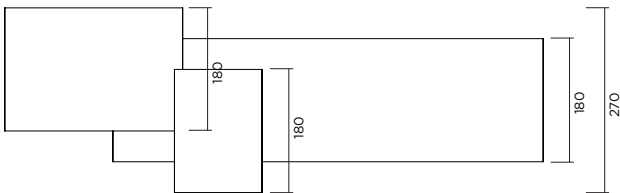
3000K | >80CRI | 3700lm
white texture
black texture

132364W4
132364B4

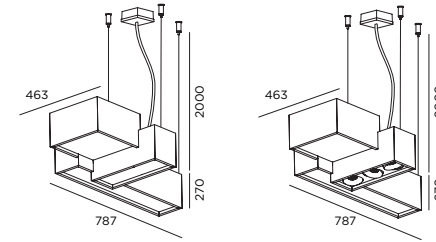
top view



side view



DIMENSIONS



BEBOW 1.0

BEBOW 2.0

① MOUNTING INSTRUCTION

Attach the BEBOW to the ceiling with the 4 suspension cables.

② POWER CONNECTION

Connect the complete fixture to 220-240V for middle area (you can also connect the middle area before step ①)

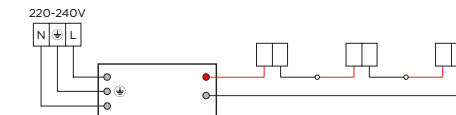
A - Opal diffuser

Connect the inner LED-plate to the base of the middle part. Turn the buttons inside of the middle area to fasten the LED-plate to the base. Close the middle area with the diffuser.

B - Spots

Before mounting the spots click the 4 metal springs by hand into the small recessed groove. Connect the 3 spots to the drivers and then insert into the middle area.

See serial connection wiring scheme below.



NOTE:

There is a possibility to make a separate circuit for the middle area.

So you can lighten up only the middle area.



WEVER & DUCRÉ
LIGHTING

www.weverducre.com

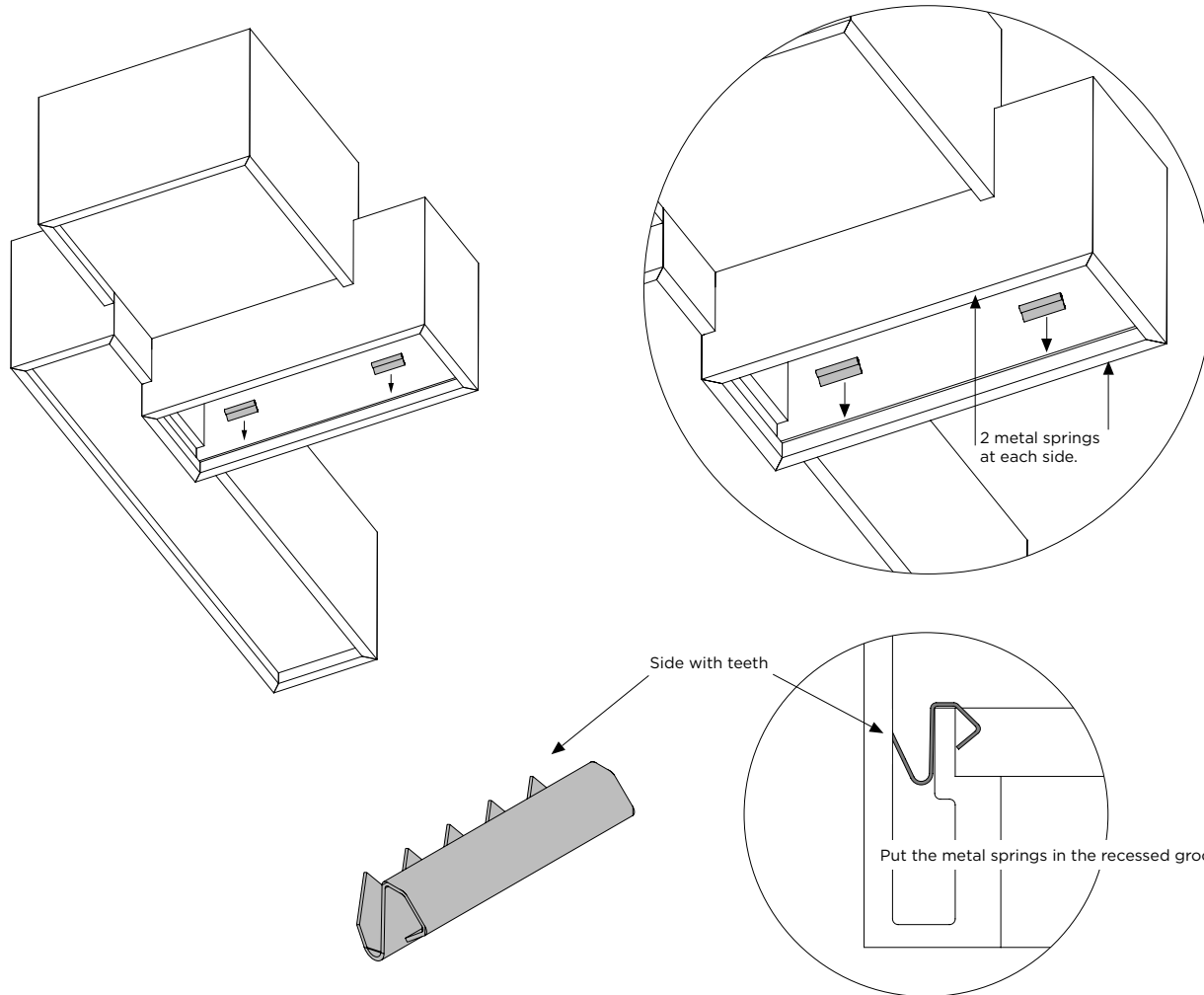
INSTALLATION
INSTRUCTIONS

PAGE 2/3

BEBOW

26-10-2015

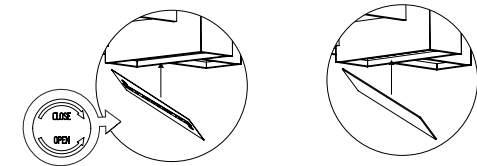
* CORRECT INSTALLATION OF THE METAL SPRINGS.



INSTALLATION GUIDE OF THE METAL SPRINGS

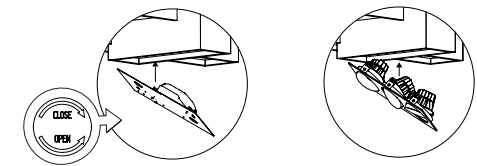
Before mounting the spots click the 4 metal springs by hand into the small recessed groove like mentioned on the illustration. The side with teeth should touch the inner wall of the BEBOW.

BEBOW 1.0



When the 4 metal springs are connected to the recessed groove, the LED plate & opal difusser can be installed. Keep in mind that both LED plate & opal difusser are large components and difficult to install. Therefore we suggest first to mount the BEBOW housing to the ceiling and afterwards install the LED plate & opal difusser. You should tilt both components under an angle to fit in the housing, like mentioned in the illustration.

BEBOW 2.0



When the 4 metal springs are connected to the recessed groove, the LED driver & spot inset can be installed. Keep in mind that both LED driver & spot inset are large components and difficult to install. Therefore we suggest first to mount the BEBOW housing to the ceiling and afterwards install the LED driver & spot inset. You should tilt both components under an angle to fit in the housing, like mentioned in the illustration.

