

BOXX

09-Aug-2018

1.0 LED EXTERIOR

LED 2x2xLED3W | 220-240VAC | 50-60Hz | PCB 3-step | incl. PS | phase-cut dim

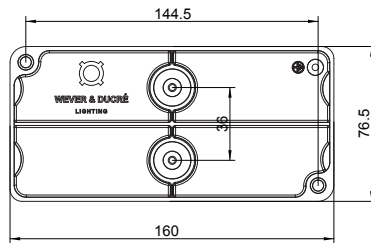
CE IP65 $\varnothing 0,3m$

white texture	739148W_
dark grey texture	739148D_
black texture	739148B_

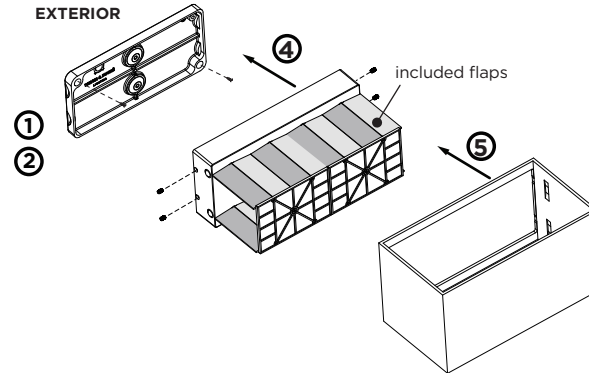
LIGHT COLOUR

2700K >80CRI 2x400lm	2
3000K >80CRI 2x440lm	4

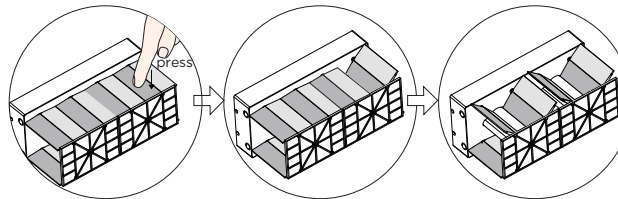
base plate dimensions



1.0 LED EXTERIOR



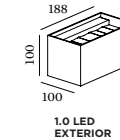
with flaps, the beam angle is adjustable:



necessary for IP-rating

	A	B	C
use pin to make hole, not a knife			
CABLE			
TYPE	ROUND H05RN-F H07RN8-F H07RN-F	ROUND H05RN-F	ROUND
OUTSIDE Ø	min 6.8mm max 8.9mm	min 5mm max 6.8mm	min 1.5mm max 2.6mm
CONDUCTION SECTION	2or3x 0.75mm ² 2or3x 1.0mm ² 2or3x 1.5mm ²	2or3x 0.75mm ² 2x 1.0mm ²	0.75mm ² 1.5mm ²

DIMENSIONS

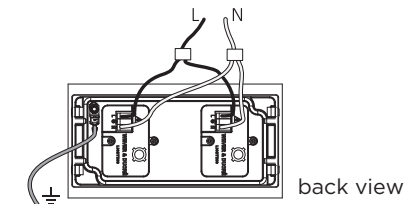
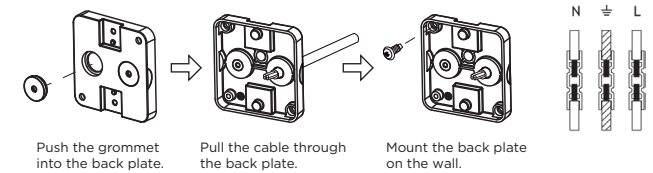


MOUNTING INSTRUCTION

- 1 Remove the lamp base
- 2 Fixate the back plate to the wall with screws
- 3 POWER CONNECTION

Exterior: WATERPROOF Connection

IP-rated connections for wall fixtures: cable isolation for round cables \varnothing 4.5-7.5 mm, should be in the grommet. For cable use \varnothing 7.0-9.5 mm: replace the grommet with the other grommet in the bag. Refer to overview table.



- 4 Fixate the lamp base to the back plate.
- 5 Fixate the lamp cover to the back base.

The light source of the integrated LED is not replaceable; When the light source reaches its end of life the whole luminaire should be replaced.

