

DRO CEILING

16-Feb.-2019

1.0

LED QT14 max. 3W | G9 | 220-240VAC | 50-60Hz

CE IP20

COLOUR

black mounting+white opal glass 1721G0WB0
black mounting+brown opal glass 1721G0YB0

OPTIONAL LAMP:

QT14 LED opal | 2700K | 170lm 9019G706
more lamps see our catalogue

2.0

LED C35 max. 6W | E14 | 220-240VAC | 50-60Hz

CE IP20

COLOUR

black mounting+white opal glass 1722C0WB0
black mounting+brown opal glass 1722C0YB0

OPTIONAL LAMP:

C35 LED E14 6W opal dim | 2700K | 470lm 9003C101
more lamps see our catalogue

3.0

QA60 max. 12W | E27 | 220-240VAC | 50-60Hz

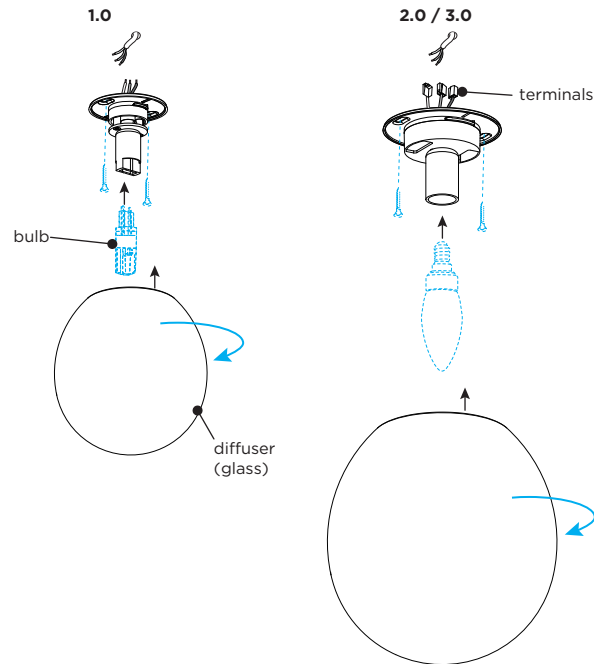
CE IP20

COLOUR

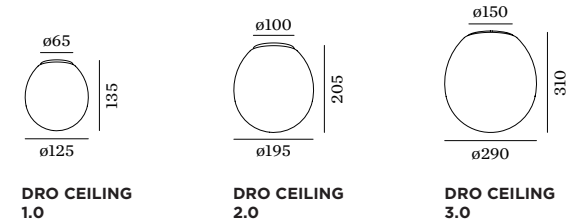
black mounting+white opal glass 1723E0WB0
black mounting+brown opal glass 1723E0YB0

OPTIONAL LAMP:

QA60 LED E27 9W dim | 2800K | 810lm 9003E148
more lamps see our catalogue



DIMENSIONS



MOUNTING INSTRUCTION

- ① Connect the wires on a ceiling. (2.0 and 3.0 include wiring terminals, 1.0 does not)
- ② Mount the luminaire base on the ceiling with two screws. (screws are not included)
- ③ Install a bulb (bulb is not included).
- ④ Mount the diffuser.
 - a Use a diffuser to cover the base.
Notice: Keep the grooves of the diffuser aligned with the projecting positions of the base.
 - b Then hold the diffuser and clockwise rotating till lock position. (The angle of rotation is about 90°)

base dimensions

