

DRO WALL

01-Aug.-2019

1.0

LED QT14 max. 3W | G9 | 220-240VAC | 50-60Hz

CE IP44

COLOUR

white mounting+white opal glass 3431G0W0
white mounting+brown opal glass 3431G0Y0

OPTIONAL LAMP:

QT14 LED opal 2.6W | 2700K | 170lm 9019G706

for more lamps please see our catalogue

2.0

LED C35 max. 6W | E14 220-240VAC | 50-60Hz

CE IP44

COLOUR

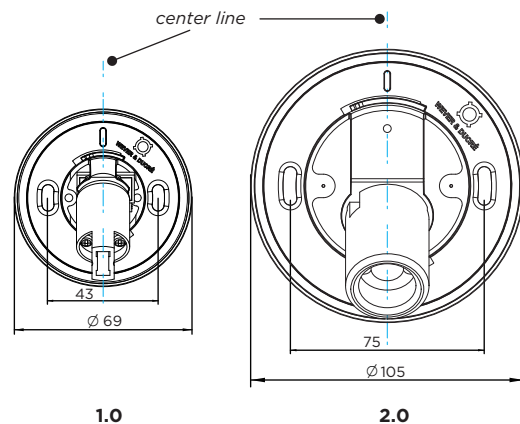
white mounting+white opal glass 3432C0W0
white mounting+brown opal glass 3432C0Y0

OPTIONAL LAMP:

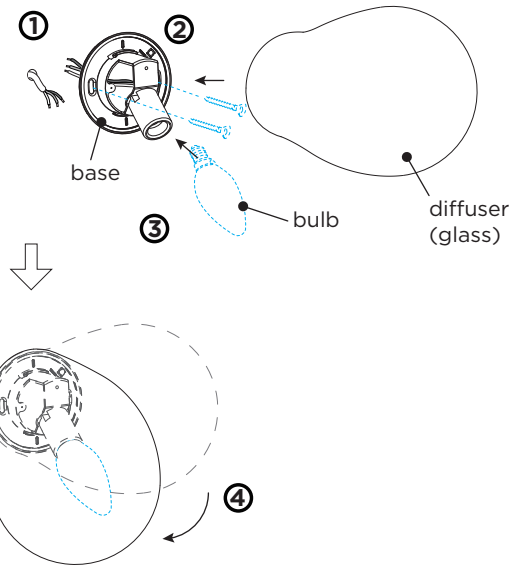
C35 LED E14 6W opal dim | 2700K | 470lm 9003C101

for more lamps please see our catalogue

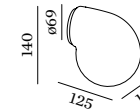
base dimensions:



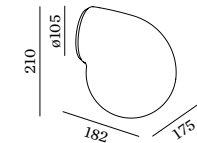
When installing, please make the center line perpendicular to the ground.



DIMENSIONS



1.0



2.0

MOUNTING INSTRUCTION

- ① Connect the electrical wire to the Dro base.
- ② Mount the luminaire base on the wall with two screws (not included).
- ③ Mount a bulb in the fitting (not included).
- ④ Mount the diffuser.
 - a Keep the groves of the diffuser aligned with the projecting positions of the base.
 - b Hold and attach the diffuser by a clockwise rotation.

