

# FIFTY FIFTY

02-11-2015

## 1.0

**LED** 8W | 220-240VAC | 50-60Hz | COB 2-step | incl. PS | phase-cut dim

CE IP65 960°C 0.3m

3000K | >80CRI | 480lm

dark grey texture

756174D4

### ALWAYS USE

base 300 910013D0

base 400 910014D0

base 800 910018D0

base 1000 910010D0

### OPTIONAL

concrete ground fixation 90013301

## 2.0

**LED** 8W | 220-240VAC | 50-60Hz | COB 2-step | incl. PS | phase-cut dim

CE IP65 960°C 0.3m

3000K | >80CRI | 480lm

dark grey texture

756274D4

### ALWAYS USE

base 300 910013D0

base 400 910014D0

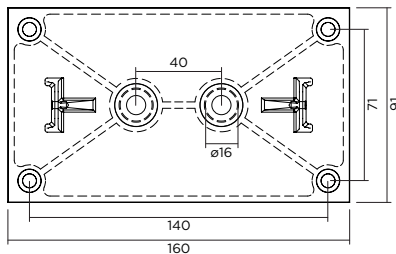
base 800 910018D0

base 1000 910010D0

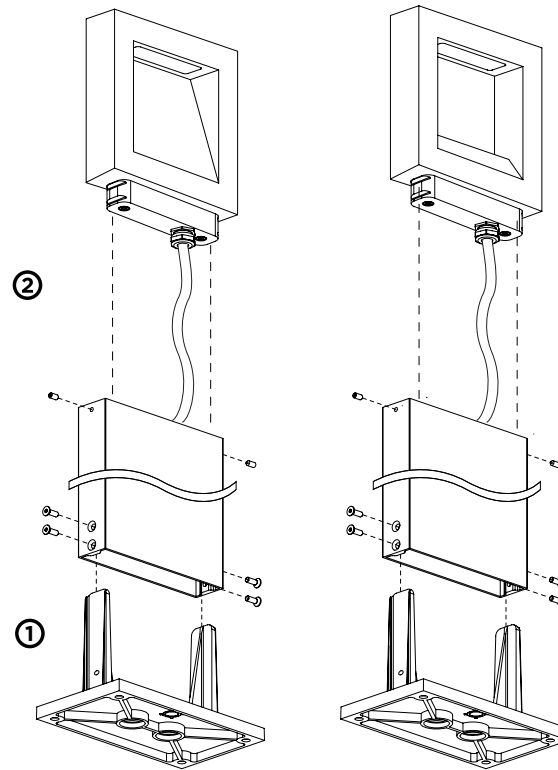
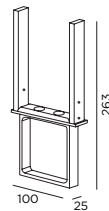
### OPTIONAL

concrete ground fixation 90013301

base plate dimensions



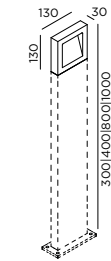
OPTIONAL, (ORDER SEPARATELY)  
concrete ground fixation



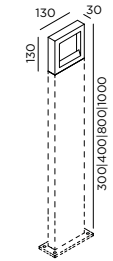
\* DO NOT COVER BASE (moss, bark, ...).  
Permanent moisture & possible chemical processes from eg.  
fertilization might lead in some combinations to a corrosive reaction.

## DIMENSIONS

FIFTY FIFTY 1.0



FIFTY FIFTY 2.0

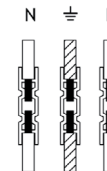


## MOUNTING INSTRUCTION

- ① Remove the base plate
- ② Fixate the base plate to the ground with screws  
Do not cover the base plate.
- ③ Fixate the base fixture to the base plate

## POWER CONNECTION

- ④ Connect the wires with the waterproof connections



- ⑤ Mount the FIFTY FIFTY on the base with the side screws



WEVER & DUCRÉ  
LIGHTING

www.weverducre.com

INSTALLATION  
INSTRUCTIONS