

# INTRA

10-Jun-2019

## 1.0 OPAL

LED 7W | 220-240VAC | PCB 3-step | incl. power supply | phase-cut dim

CE IP65 0.3D

3000K | >90CRI | 350lm | opal glass

 white texture	733168W5
 inox	733168I5
 dark grey texture	733168D5
 black texture	733168B5

## 2.0 SPOT

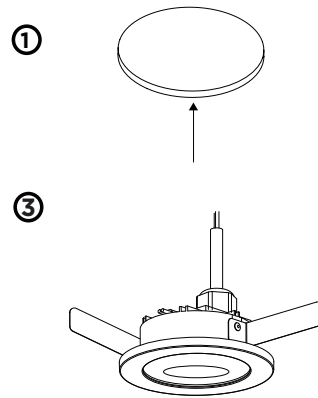
LED 7W | 220-240VAC | PCB 3-step | incl. power supply | phase-cut dim

CE IP65 0.3D

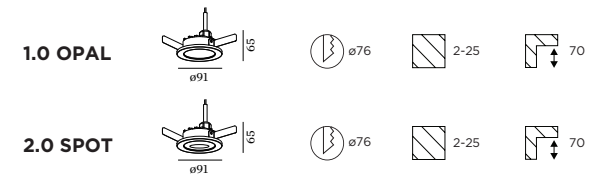
3000K | >80CRI | 590lm | lens

 white texture	733158W4
 inox	733158I4
 dark grey texture	733158D4
 black texture	733158B4


1.0 / 2.0



## DIMENSIONS



## MOUNTING INSTRUCTION

- 1 Make a hole in the ceiling according to the prescribed dimensions.
- 2 **POWER CONNECTION**  
Connect  

- 3 Insert the fixture in the hole



Caution, risk of electric shock

The light source of the integrated LED is not replaceable; When the light source reaches its end of life the whole luminaire shall be replaced.