

LEENS

28-Jun-2019

1.0

LED 8W | 220-240VAC | 50-60Hz | COB 3-step | incl. PS | phase-cut dim

CE \oplus IP20 $\text{960}^{\circ}\text{C}$ \downarrow 0,3m G L V

3000K | >90CRI | 300lm

white texture
aluminium brushed
black texture

311174W5
311174L5
311174B5

2.0

LED 2x4W | 220-240VAC | 50-60Hz | COB 3-step | incl. PS | phase-cut dim

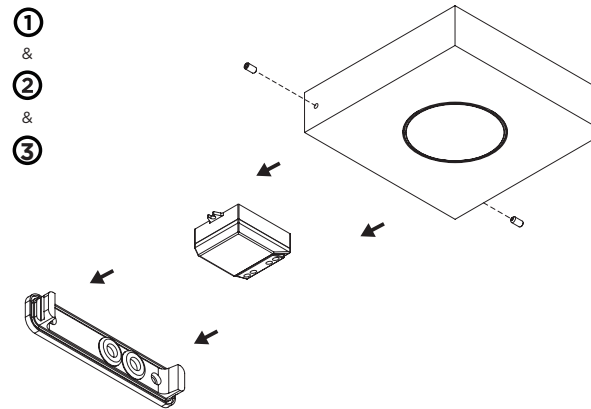
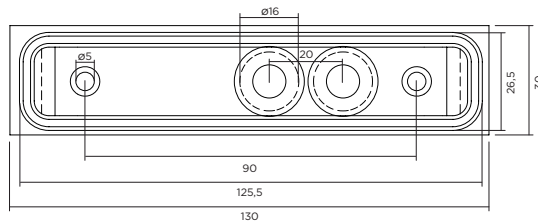
CE \oplus IP20 $\text{960}^{\circ}\text{C}$ \downarrow 0,3m G L V

3000K | >90CRI | 2x150lm

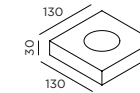
white texture
aluminium brushed
black texture

311274W5
311274L5
311274B5

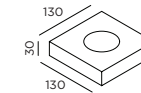
back plate dimensions



DIMENSIONS



LEENS 1.0



LEENS 2.0

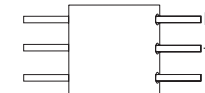
MOUNTING INSTRUCTION

- 1 Attach the wall base on the ceiling with screws

POWER CONNECTION

- 2 Make connection with the power supply

Interior: STANDARD version



- 3 Attach the LEENS on the wall base with the side screws