

# LIGHTDROP

03-06-2015

## 1.2

QT14 max. 40W | G9 | 220-240VAC | 50-60Hz

CE IP44 960°C 0,9m 16

white texture  
chrome

3071V0W0  
3071V0C0

## 1.8

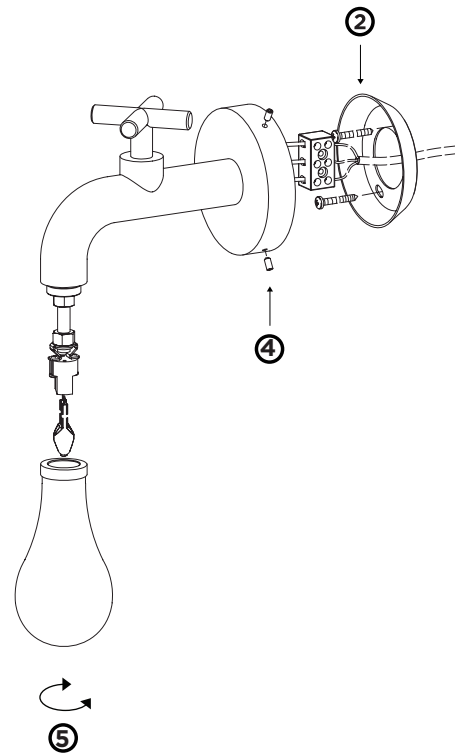
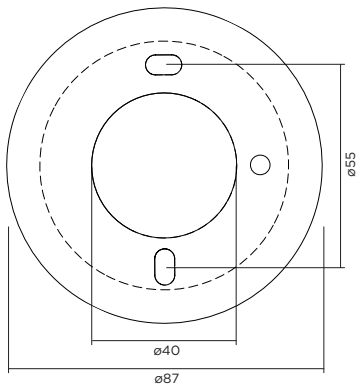
QT14 max. 40W | G9 | 220-240VAC | 50-60Hz

CE IP44 960°C 0,9m 16

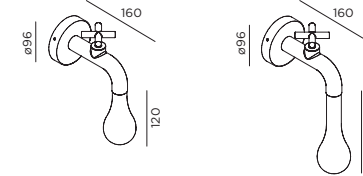
white texture  
chrome

3072V0W0  
3072V0C0

base plate dimensions



## DIMENSIONS



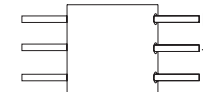
## MOUNTING INSTRUCTION

- 1 Remove the lamp base
- 2 Fixate the back plate to the wall with screws.

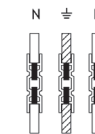
## POWER CONNECTION

- 3 Connect the power supply.

STANDARD version



WATERPROOF Connection (for IP44)



- 4 fixate the lamp base back to the back plate.
- 5 Unscrew glass for lamp replacement (QT14 lamp is not included)



WEVER & DUCRÉ  
LIGHTING

[www.weverducre.com](http://www.weverducre.com)

INSTALLATION  
INSTRUCTIONS