

# LUNA SQUARE

24-Jan.-2018

## 1.0 LED

**LED** 7/10W | 350-500mA | 18Vf | COB 3-step | excl. power supply

CE IP44 0.3m

white texture	114481W
matte chrome	114481M
black texture	114481B

### LIGHT COLOUR

2700K   >90CRI   360-510lm	3
3000K   >90CRI   400-540lm	5
1800K-2850K   >95CRI   270-370lm	9

### ALWAYS USE

for power supplies see our catalogue

## 1.0 LED HV

**LED** 7W | 220-240VAC | PCB 3-step | incl. PS | phase-cut dim

CE IP44 0.3m

3000K   >90CRI   350lm	
white texture	114488W5
matte chrome	114488M5
black texture	114488B5

### OPTIONAL

for optional dimmers see our catalogue

## 1.0 PAR16

**PAR16 max. 10W | GU10 | 100-240VAC | 50-60Hz**

CE IP44 0.9m

white texture	114220W0
matte chrome	114220M0
black texture	114220B0

### OPTIONAL

for optional lamps see our catalogue

## 1.0 MR16

**QR-CBC51 max. 10W | GU5.3 | 12V | excl. PS**

CE IP44 0.9m

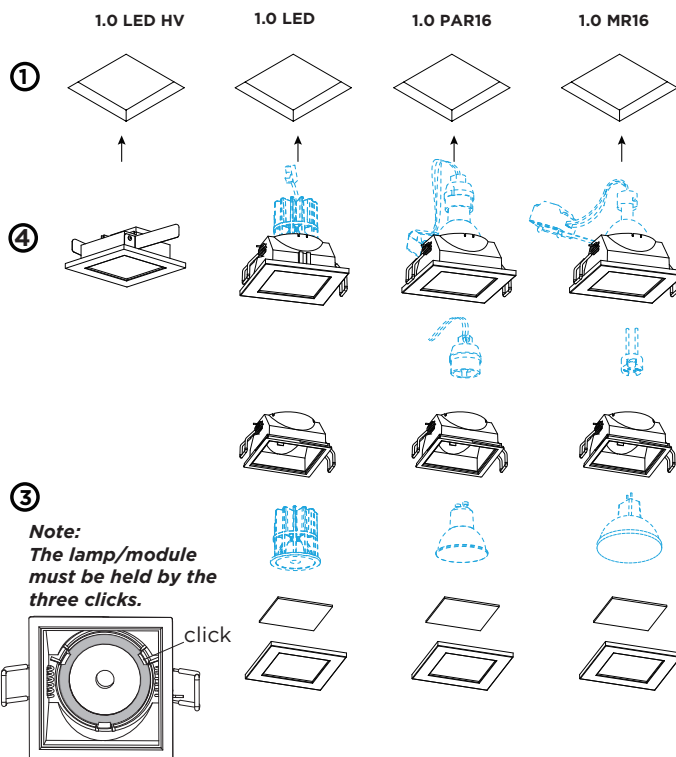
white texture	114210W0
matte chrome	114210M0
black texture	114210B0

### ALWAYS USE

for power supplies see our catalogue

### OPTIONAL

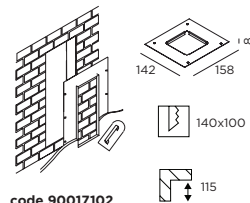
plaster kit	90017102
recessed housing	90012026



### General mounting notice for ceiling / wall with optional plaster kit or recessed

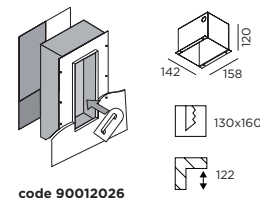
#### PLASTER KIT

Use into brick walls or plastered stalon

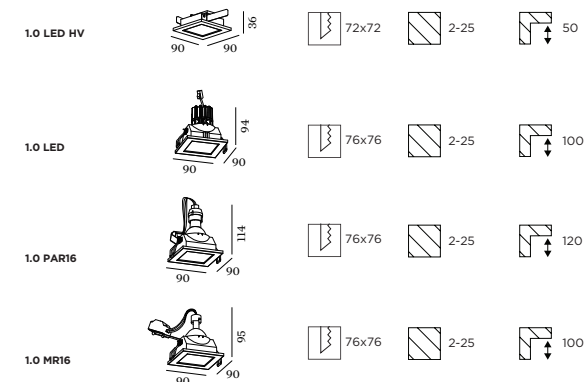


#### RECESSED HOUSING

Always use in combination with plaster kit  
Use in concrete structures



## DIMENSIONS



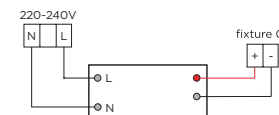
## MOUNTING INSTRUCTION

① Make a hole in the ceiling according to the prescribed dimensions.

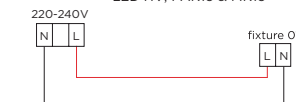
### ② POWER CONNECTION

SERIAL CONNECTION - for LED

Always use **POWER SUPPLY** according to the specifications of the LED-module



PARALLEL CONNECTION - for LED HV, PAR16 & MR16



③ Put the illuminant in the assembled cover.

**Note: The lamp/module must be clicked into place.**

④ Insert the fixture in the hole

OPTIONAL:

insert with Plaster Kit

or

insert with Plaster Kit and Recessed Housing



Caution, risk of electric shock

The light source of the integrated LED is not replaceable; When the light source reaches its end of life the whole luminaire shall be replaced.