

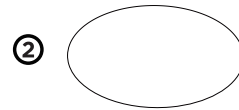
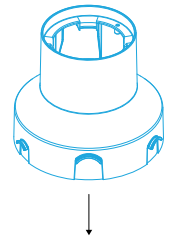
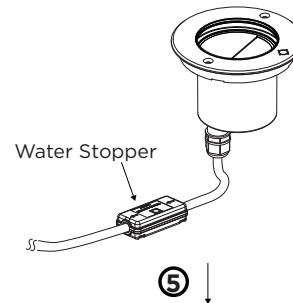
MAP ASYM

25-Sep.-2017

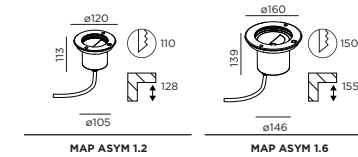
1.2
LED 10W 220-240VAC 50-60Hz COB 3-step incl. PS phase-cut dim
CE □ IP67 (0,3m) Ⓜ Ⓜ Ⓜ Ⓜ
3000K >80CRI 600lm
inox 75155714
OPTIONAL recessed housing 90012203

1.6
LED 15W 220-240VAC 50-60Hz COB 3-step incl. PS phase-cut dim
CE □ IP67 (0,3m) Ⓜ Ⓜ Ⓜ Ⓜ
3000K >80CRI 850lm
inox 75165714
OPTIONAL recessed housing 90012204

with recessed housing

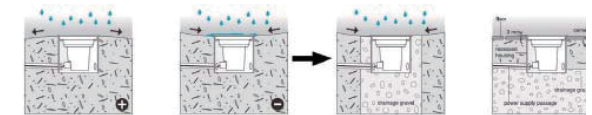
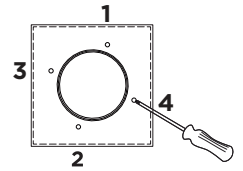


DIMENSIONS



MOUNTING INSTRUCTION

- Remove the protective foam inside of the MAPASYM. Make sure to screw the screws back on, crosswise, to ensure IP67.
- Make a hole in the ground according to the prescribed dimensions (of the recessed housing).
- Drainage: we recommend that all exterior groundspots should be installed with a drainage level even when using a recessed housing.



POWER CONNECTION

- Exterior: WATERPROOF Connection



Remark: Do not open or cut off the Water Stopper on cable.

- MOUNTING WITH RECESSED HOUSING**

Use the bolts and the nuts to attach the MAP ASYM to the recessed housing



Caution, risk of electric shock

The light source of the integrated LED is not replaceable; When the light source reaches its end of life the whole luminaire shall be replaced.

MAP ASYM

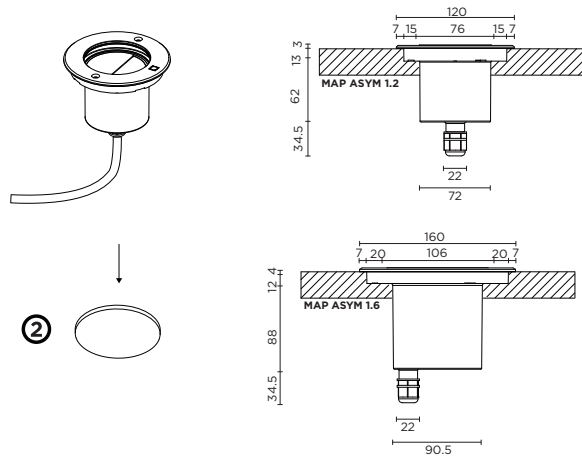
25-Sep.-2017

1.2	
LED 10W 220-240VAC 50-60Hz COB 3-step incl. PS phase-cut dim	
CE IP67 0.3m 10 10 10	
3000K >80CRI 600lm	
inox	75155714
OPTIONAL recessed housing	90012203

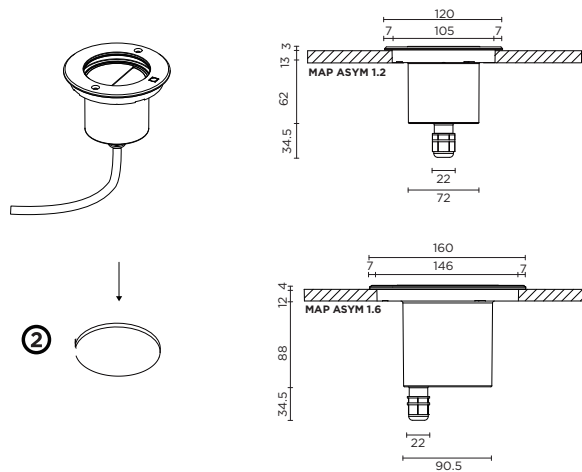
1.6	
LED 15W 220-240VAC 50-60Hz COB 3-step incl. PS phase-cut dim	
CE IP67 0.3m 10 10 10	
3000K >80CRI 850lm	
inox	75165714
OPTIONAL recessed housing	90012204

without recessed housing

A. Attached to the floor (or wall, for wall mounting)

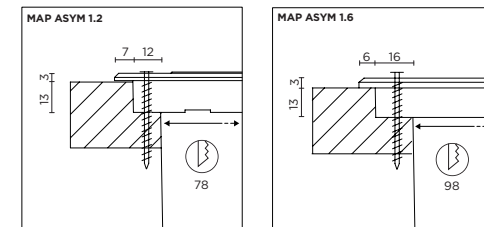


B. Rests on the stainless steel borders of the fixture



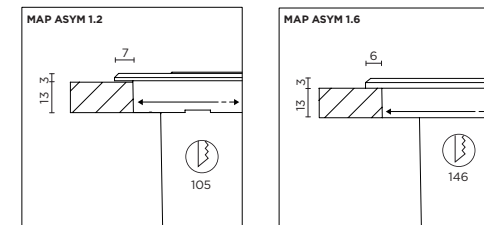
A. Attached to the floor (or wall, for wall mounting)


- 5 Use the screws to attach the MAP ASYM to the floor or wall. Make sure to measure correctly so that you can screw onto a hard material.



B. Rests on the stainless steel borders of the fixture

- 5 Place the MAP ASYM into the hole, no tools needed to fix it into the hole. Just let it rest on the stainless steel borders of the fixture



 **Caution, risk of electric shock** The light source of the integrated LED is not replaceable; When the light source reaches its end of life the whole luminaire shall be replaced.