

MILES

14-Mar.-2019

9.0

LED 30W | 220-240VAC | 50-60Hz | PCBA 3-step | incl. PS | phase-cut dim

CE IP20 0.3m P

3000K | >80CRI | 1600lm | aluminium

white texture	317274W4
aluminium brushed	317274L4
black texture	317274B4
gold	317274G4

3000K | >80CRI | 1600lm | marble | wood

walnut wood	317274WN4
marble-white	317274MW4
marble-black	317274MB4

12.0

LED 38W | 220-240VAC | 50-60Hz | PCBA 3-step | incl. PS | phase-cut dim

CE IP20 0.3m P

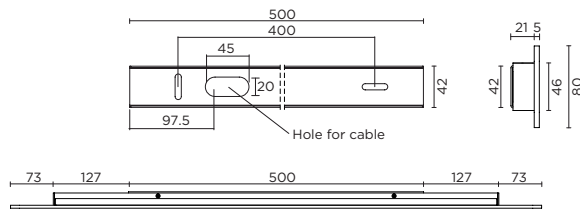
3000K | >80CRI | 2200lm | aluminium

white texture	317374W4
aluminium brushed	317374L4
black texture	317374B4
gold	317374G4

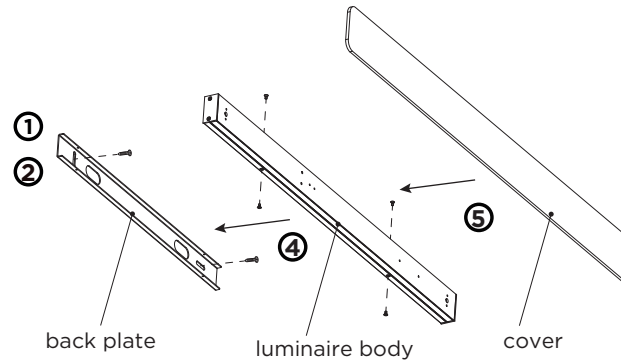
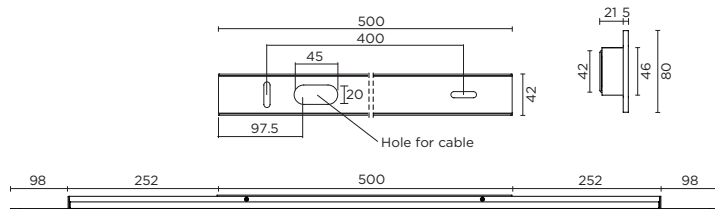
3000K | >80CRI | 2200lm | marble | wood

walnut wood	317374WN4
marble-white	317374MW4
marble-black	317374MB4

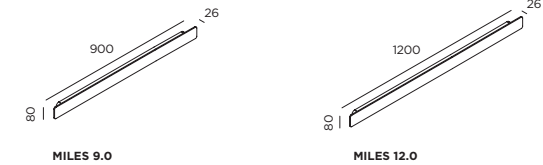
9.0 - back plate & luminaire dimensions



12.0 - back plate & luminaire dimensions



DIMENSIONS



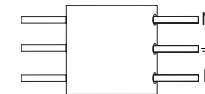
MOUNTING INSTRUCTION

- 1 Remove the back plate from the Luminaire body.
- 2 Fixate the back plate to the wall with 2 screws

POWER CONNECTION

- 3 Connect the power supply

Interior: STANDARD version



- 4 Fixate the luminaire body to the back plate with 4 screws.
- 5 Mount the light cover on the Luminaire body by pressing.

* Due to the wooden covers being made from natural material, the shape might show irregularities that will be straightened out when correctly mounting it to the luminaire



WEVER & DUCRÉ
LIGHTING

www.weverducre.com

Wever & Ducre bvba Spinnerijstraat 99/21 8500 Kortrijk

INSTALLATION
INSTRUCTIONS