

MIRBI

04-Feb.-2017

1.0 LED

LED 7W | 220-240VAC | PCB 3-step | phase-cut dim

CE IP44 0.3m

3000K | >90CRI | 440lm

clear / sandblasted

11458805

2.0 LED

LED 7W | 220-240VAC | PCB 3-step | phase-cut dim

CE IP44 0.3m

3000K | >90CRI | 440lm

clear / sandblasted

11468805

OPTIONAL

plaster kit (for ROUND)

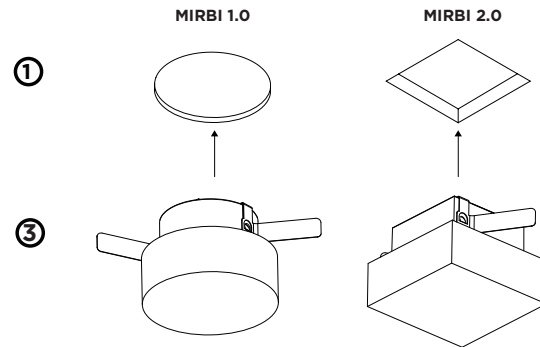
plaster kit (for SQUARE)

recessed housing

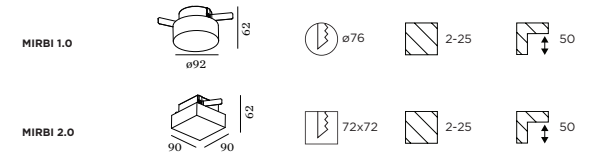
90017101

90017102

90012026



DIMENSIONS



MOUNTING INSTRUCTION

① Make a hole in the ceiling according to the prescribed dimensions.

② **POWER CONNECTION**

Connect

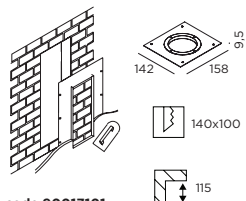


③ Insert the fixture in the hole
 OPTIONAL:
 insert with Plaster Kit
 or
 insert with Plaster Kit and Recessed Housing

General mounting notice for ceiling / wall with optional plaster kit or recessed

PLASTER KIT

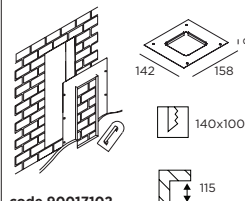
Use into brick walls or plastered stalon



code 90017101

PLASTER KIT

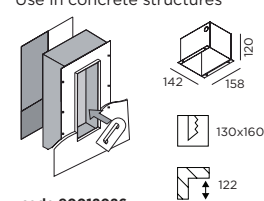
Use into brick walls or plastered stalon



code 90017102

RECESSED HOUSING

Always use in combination with plaster kit
 Use in concrete structures



code 90012026

The light source of the integrated LED is not replaceable;
 When the light source reaches its end of life the whole luminaire shall be replaced.



Caution, risk of electric shock