

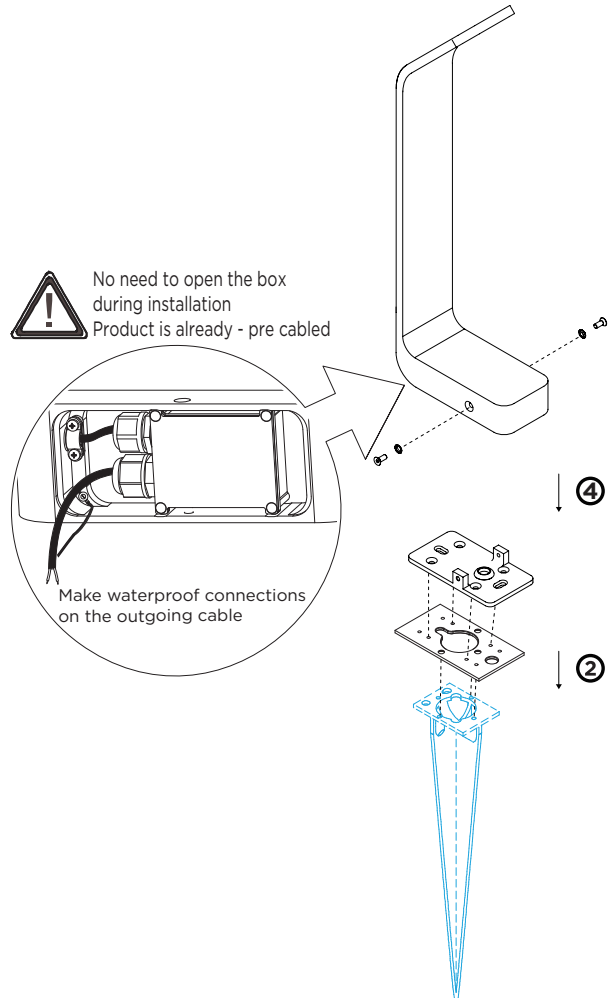
# PACE

29-May-2019

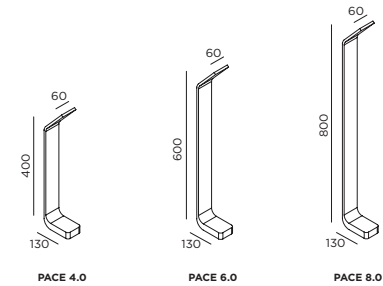
<b>4.0</b>	
LED 8W   220-240VAC   50-60Hz   COB 3-step   incl. PS   phase-cut dim	
CE IP65 90° 10.3m	
3000K   >90CRI   420lm	
white texture	723174W5
dark grey texture	723174D5
black texture	723174B5
OPTIONAL groundspike	90013102

<b>6.0</b>	
LED 8W   220-240VAC   50-60Hz   COB 3-step   incl. PS   phase-cut dim	
CE IP65 90° 10.3m	
3000K   >90CRI   420lm	
white texture	723274W5
dark grey texture	723274D5
black texture	723274B5
OPTIONAL groundspike	90013102

<b>8.0</b>	
LED 8W   220-240VAC   50-60Hz   COB 3-step   incl. PS   phase-cut dim	
CE IP65 90° 10.3m	
3000K   >90CRI   420lm	
white texture	723374W5
dark grey texture	723374D5
black texture	723374B5
OPTIONAL groundspike	90013102



## DIMENSIONS

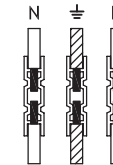


## MOUNTING INSTRUCTION

- 1 Remove the mounting plate
- 2 Fix the mounting plate on the ground with screws or mount on the groundspike

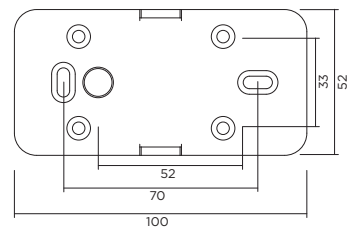
## POWER CONNECTION

- 3 Connect the wires with the waterproof connections



- 4 Fix the housing on the mounting plate

mounting plate dimensions



groundspike dimensions

