

PALOS floor

10-Jun-2019

1.0

LED 8W | 220-240VAC | 50-60Hz | COB 3-step | incl. PS | phase-cut dim

CE IP65 0.3m

3000K | >90CRI | 520lm

dark grey texture

anthracite grey

716374D5

716374A5

2.0

LED 2x8W | 220-240VAC | 50-60Hz | COB 3-step | incl. PS | phase-cut dim

CE IP65 0.3m

3000K | >90CRI | 2x520lm

dark grey texture

anthracite grey

716474D5

716474A5

ALWAYS USE BASE

base with fixation plate

| | |
|----------|----------|
| base 300 | 910013D0 |
| | 910013A0 |

| | |
|----------|----------|
| base 400 | 910014D0 |
| | 910014A0 |

| | |
|----------|----------|
| base 600 | 910016D0 |
| | 910016A0 |

| | |
|----------|----------|
| base 800 | 910018D0 |
| | 910018A0 |

| | |
|-----------|----------|
| base 1000 | 910010D0 |
| | 910010A0 |

base with concrete fixation

| | |
|----------|----------|
| base 300 | 910073D0 |
| | 910073A0 |

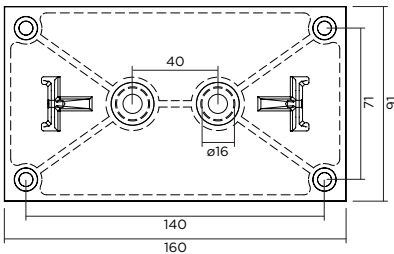
| | |
|----------|----------|
| base 400 | 910074D0 |
| | 910074A0 |

| | |
|----------|----------|
| base 600 | 910076D0 |
| | 910076A0 |

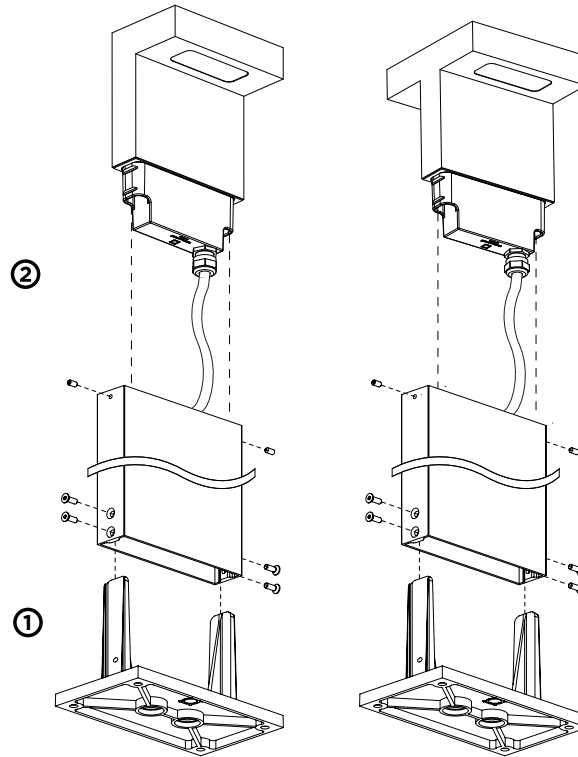
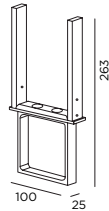
| | |
|----------|----------|
| base 800 | 910078D0 |
| | 910078A0 |

| | |
|-----------|----------|
| base 1000 | 910070D0 |
| | 910070A0 |

base plate dimensions

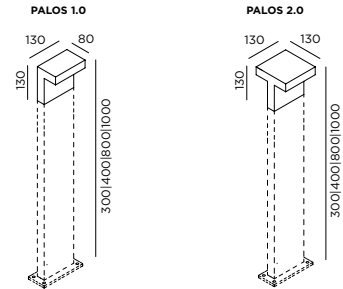


OPTIONAL, (ORDER SEPARATELY)
concrete ground fixation



* DO NOT COVER BASE (moss, bark, ...).
Permanent moisture & possible chemical processes from eg.
fertilization might lead in some combinations to a corrosive reaction.

DIMENSIONS



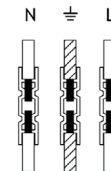
MOUNTING INSTRUCTION

- 1 Remove the base plate
- 2 Fixate the base plate to the ground with screws
Do not cover the base plate.

- 3 Fixate the base fixture to the base plate

POWER CONNECTION

- 4 Connect the wires with the waterproof connections



- 5 Mount the PALOS on the base with the side screws