

PLANO

23-11-2015

2.0 LED

LED 2x7/10W | 350-500mA | 18Vf | COB 3-step | excl. power supply
 CE \triangleleft \triangleleft IP20 960°C $4,0,3m$ TE 35°/35° 355°

white texture	118261W_
silver / grey	118261S_

LIGHT COLOUR

2200K >80CRI 2x315-465lm 15Vf	1
2700K >90CRI 2x420-590lm 18Vf	3
3000K >90CRI 2x470-640lm 18Vf	5

ALWAYS USE

for power supplies see our catalogue

OPTIONAL

plaster kit	90017105
-------------	----------

2.0 PAR16

LED 2xPAR16 max. 50W | GU10 | 220-240VAC | 50-60Hz
 CE \triangleleft \triangleleft IP20 960°C $4,0,3m$ TE 35°/35° 355° **DO NOT COVER**

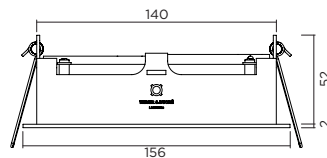
white texture	118220W0
silver / grey	118220S0

OPTIONAL

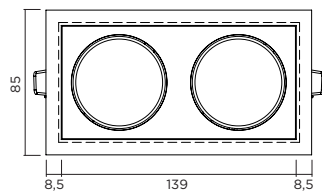
for PAR16 lamps see our catalogue
 plaster kit

90017105

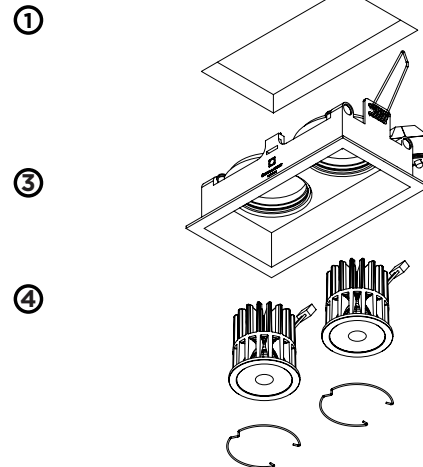
side view



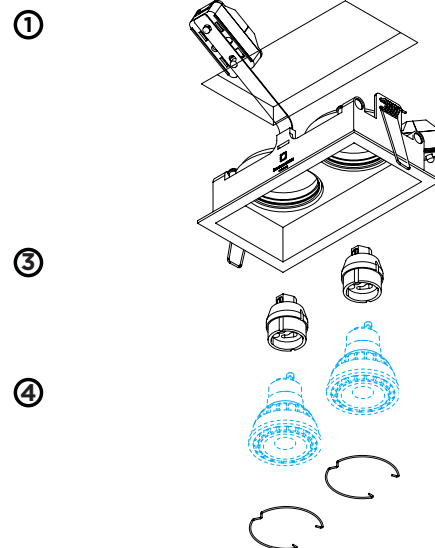
bottom view



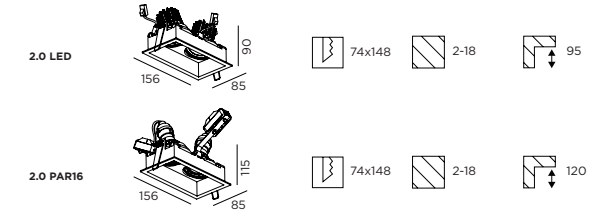
PLANO 2.0 LED



PLANO 2.0 PAR16



DIMENSIONS



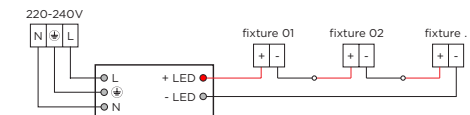
MOUNTING INSTRUCTION

- 1 Make a hole in the ceiling according to the prescribed dimensions.

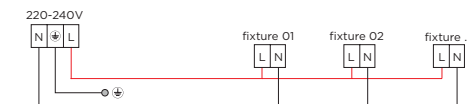
POWER CONNECTION

- 2 SERIAL CONNECTION - for LED

Always use POWER SUPPLY according to the specifications of the LED-module

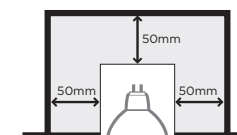


PARALLEL CONNECTION - for PAR16



- 3 Insert the fixture in the hole
- 4 Place the LED engines or PAR16 lamps and fix with spring

SAFETY DISTANCE FOR HALOGEN LAMPS



WEVER & DUCRÉ
LIGHTING

www.weverducre.com

INSTALLATION
INSTRUCTIONS