

REVER WALL

2.0

01-Aug.-2017

REVER WALL 2.0
 LED C35 or P25 max. 6W | E14 | 220-240VAC | 50-60Hz | Dimmable
 | Plating steel (C/G/N/P/W/B) | Polycarbonate (TG/SG/CW/AY/HR)

CE IP20

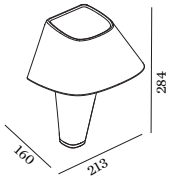
DIFFUSER COLOUR

	tea green	6512CTG_
	smoke grey	6512CSG_
	champ. white	6512CCW_
	amber yellow	6512CAY_
	hip rose	6512CHR_

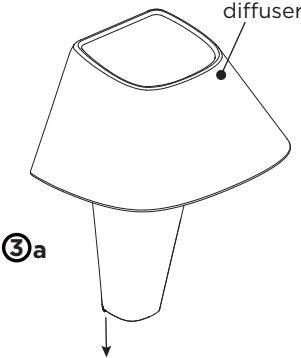
MOUNTING DETAIL COLOUR

CHROME	C
BLACK CHROME	N
LIGHT GOLD	G
PINK COPPER	P
WHITE	W
BLACK	B

DIMENSIONS

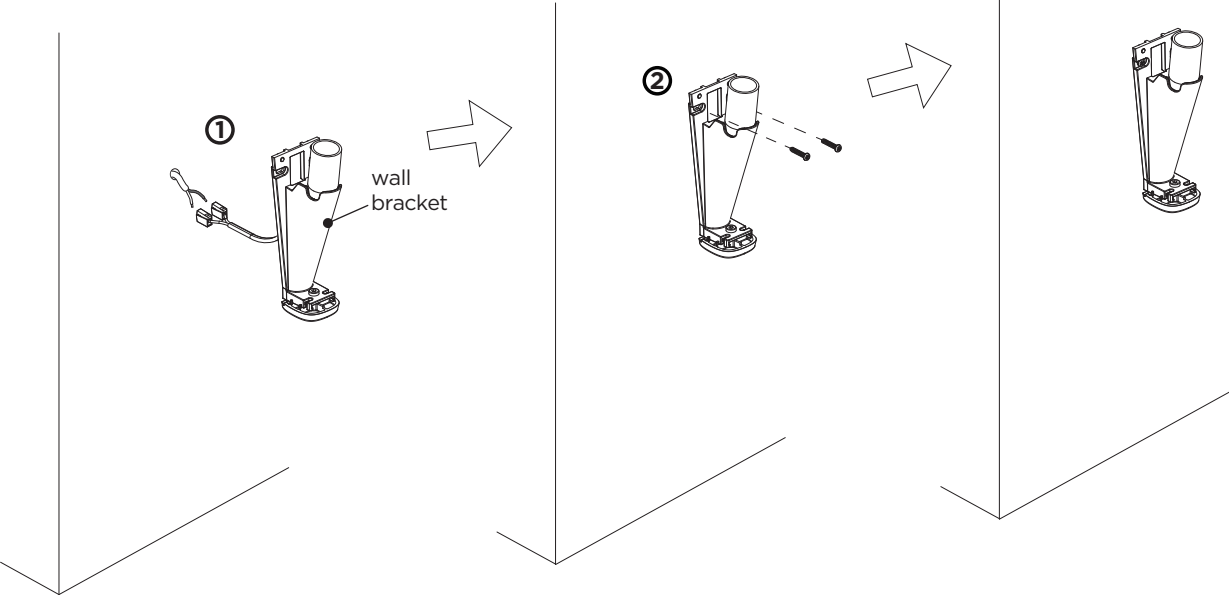


REVER WALL 2.0



MOUNTING INSTRUCTION

- ① Connect the wires on a wall.
- ② Mount the bracket on the wall with two screws.
- ③ Mount the diffuser.
 - a Use a diffuser to cover the bracket.

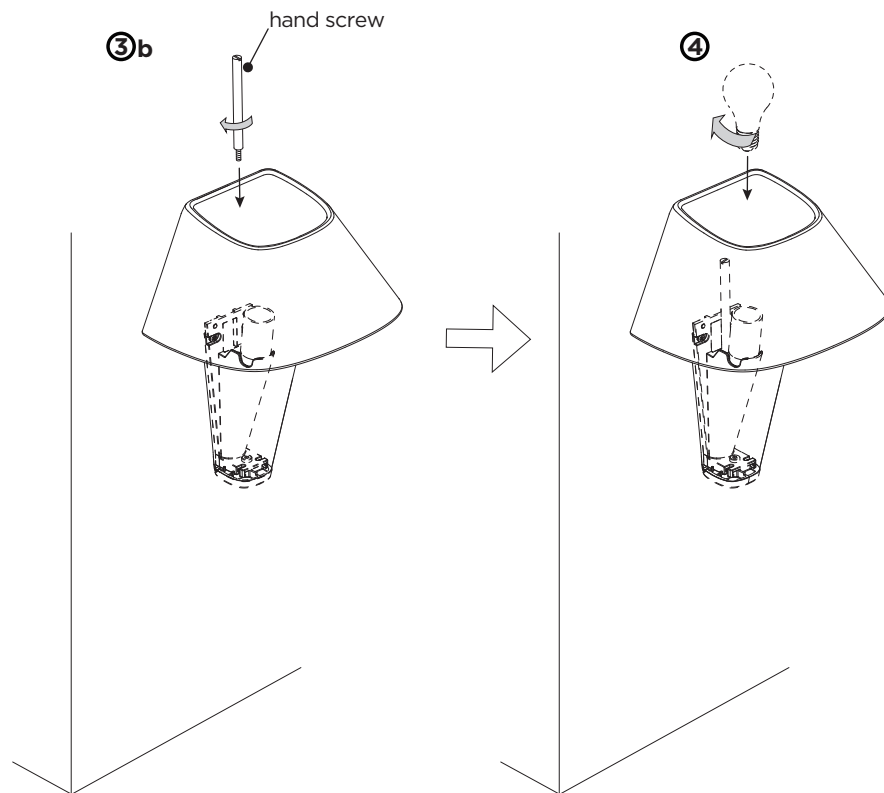


see the follow steps on page 2

REVER WALL

2.0

01-Aug.-2017



- ③ Mount the diffuser.
 - b Then fix the diffuser onto the bracket with the hand screw.
- ④ Fix a bulb into the diffuser, bulb is not included.
Applies only to **LEADING EDGE LED DIMMABLE BULB**.