

# ROCK LIGHT COLLECTION

## CEILING SUSPENDED 3.0 | 4.0

24-May-2017

### 3.0 CEILING SUSPENDED

E26-E27 | max. 100W | 110-220VAC | 50-60Hz | stone veneer | MDF lacquered

CE IP20 60°C 0.9m 3 - 5kg

370 mm

Autumn white  
Silver shine  
Multicolour

2201ESW0  
2201ESS0  
2201ESD0

560 mm

Autumn white  
Silver shine  
Multicolour

2203ESW0  
2203ESS0  
2203ESD0

740 mm

Autumn white  
Silver shine  
Multicolour

2205ESW0  
2205ESS0  
2205ESD0

### 4.0 CEILING SUSPENDED

E26-E27 | max. 100W | 110-220VAC | 50-60Hz | stone veneer | MDF lacquered

CE IP20 60°C 0.9m 3.5 - 5.5kg

370 mm

Autumn white  
Silver shine  
Multicolour

2202ESW0  
2202ESS0  
2202ESD0

560 mm

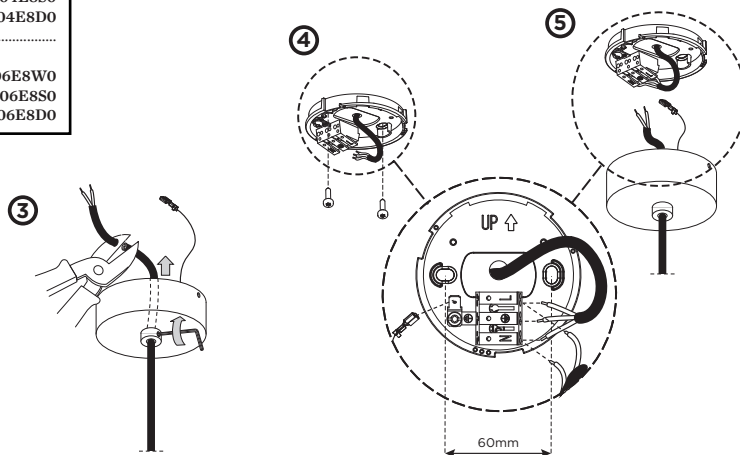
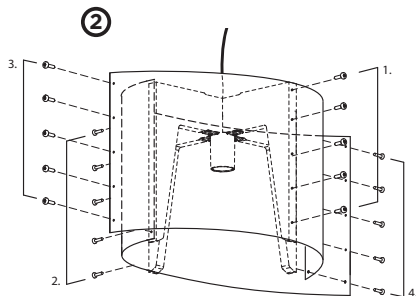
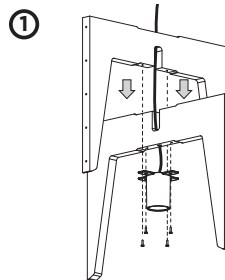
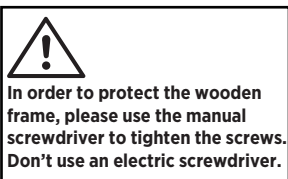
Autumn white  
Silver shine  
Multicolour

2204ESW0  
2204ESS0  
2204ESD0

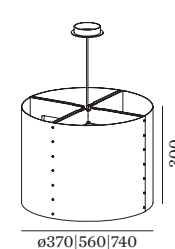
740 mm

Autumn white  
Silver shine  
Multicolour

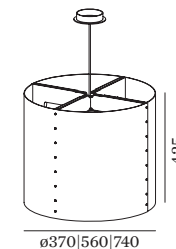
2206ESW0  
2206ESS0  
2206ESD0



### DIMENSIONS



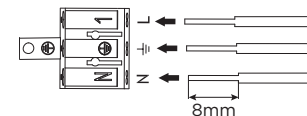
CEILING SUSPENDED 3.0



CEILING SUSPENDED 4.0

### MOUNTING SITUATION

- ① Reunite the wooden parts and screw down the lamp socket
- ② Screw down the stone veneers in the right order
- ③ If necessary pull the cable of the luminaire to the desired length and remove any excess cable. Fix the remaining cable with the threaded pin to the baldachin housing
- ④ Mount the base plate to the ceiling using suitable dowels and connect it to the power supply
- ⑤ Connect the grounding cable and the electric terminal



WEVER & DUCRÉ  
LIGHTING

[www.weverducre.com](http://www.weverducre.com)

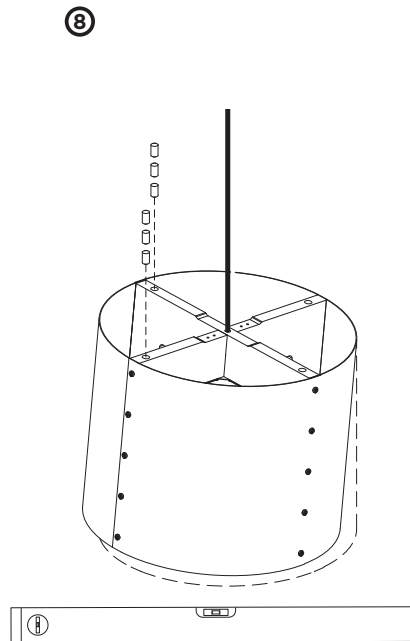
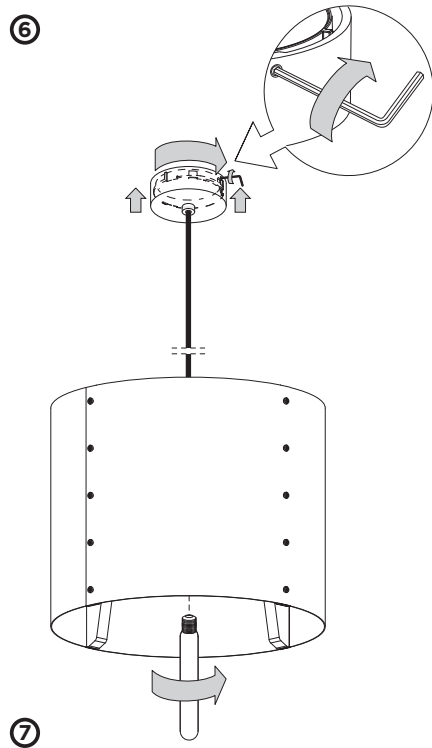
INSTALLATION  
INSTRUCTIONS

PAGE 1/2

# ROCK LIGHT COLLECTION

## CEILING SUSPENDED 3.0 | 4.0

24-May-2017



- ⑥ Mount the baldachin to the baseplate with the bajonet catch. Fix the baldachin with the threaded pin
- ⑦ Put the light bulb into the lamp socket
- ⑧ To balance the luminaire horizontally use the supplied balancing weights as needed

