

RON

17-May-2016

2.0 LED

LED 2x7/10W | 350-500mA | COB 3-step | excl. power supply
 CE IP20 960°C 0,3m 36° 35°/35° 355°

white texture
 black texture

111261W_
 111261B_

LIGHT COLOUR

2700K | >90CRI | 2x420-590lm | 18Vf **3**
 3000K | >90CRI | 2x470-640lm | 18Vf **5**
 1800K-2850K | >90CRI | 2x320-440lm | 18Vf **9**

ALWAYS USE

for power supplies see our catalogue

2.0 PAR16

2xPAR16 max. 50W | GU10 | 220-240VAC | 50-60Hz
 CE IP20 960°C 0,3m 35°/35° 355°

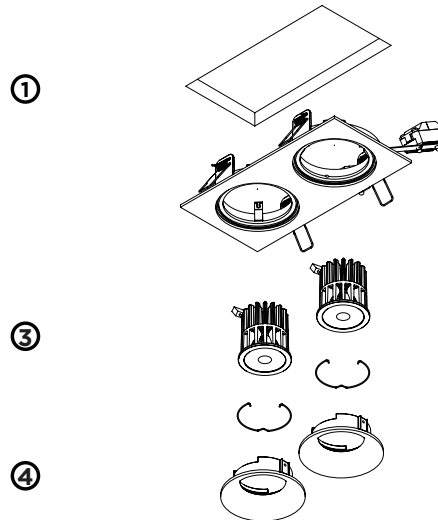
white texture
 black texture

111220W0
 111220B0

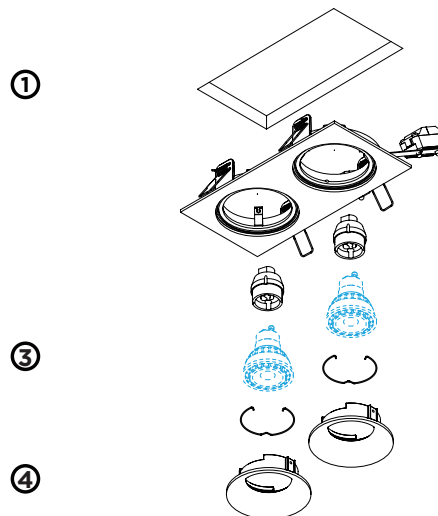
ALWAYS USE

for PAR16 lamps see our catalogue

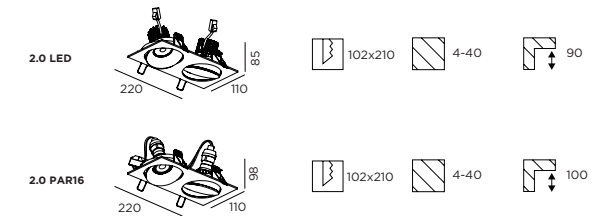
RON 2.0 LED



RON 2.0 PAR16



DIMENSIONS



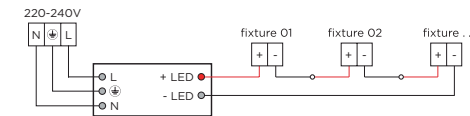
MOUNTING INSTRUCTION

- 1 Make a hole in the ceiling according to the prescribed dimensions.

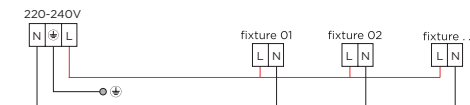
POWER CONNECTION

- 2 SERIAL CONNECTION - for LED

Always use POWER SUPPLY according to the specifications of the LED-module



PARALLEL CONNECTION - for PAR16



- 3 Insert the lamp into the inner part of the RON
- 4 Click the inner part of the RON into the outer part



WEVER & DUCRÉ
 LIGHTING

www.weverducre.com

Wever & Ducre bvba Kwadestraat 153 bus 2.1 8800 Roeselare

**INSTALLATION
 INSTRUCTIONS**