

# SMILE

20-Oct.-2018

## 1.0

**LED** 8W | 220-240VAC | 50-60Hz | COB 3-step | incl. PS | phase-cut dim

CE  $\oplus$   $\ominus$   $\text{I}$   $\text{II}$   $\text{III}$   $\text{IV}$   $\text{V}$   $\text{VI}$   $\text{VII}$   $\text{VIII}$   $\text{IX}$   $\text{X}$   $\text{XI}$   $\text{XII}$

3000K | >80CRI | 480lm

white texture (IP65)

703354W4

aluminium brushed (only for interior use) (IP20)

703354L4

dark grey texture (IP65)

703354D4

## 2.0

**LED** 8W | 220-240VAC | 50-60Hz | COB 3-step | incl. PS | phase-cut dim

CE  $\oplus$   $\ominus$   $\text{I}$   $\text{II}$   $\text{III}$   $\text{IV}$   $\text{V}$   $\text{VI}$   $\text{VII}$   $\text{VIII}$   $\text{IX}$   $\text{X}$   $\text{XI}$   $\text{XII}$

3000K | >80CRI | 480lm

white texture (IP65)

703454W4

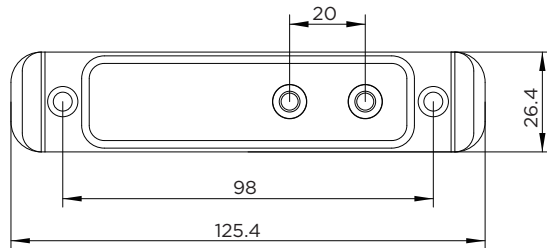
aluminium brushed (only for interior use) (IP20)

703454L4

dark grey texture (IP65)

703454D4

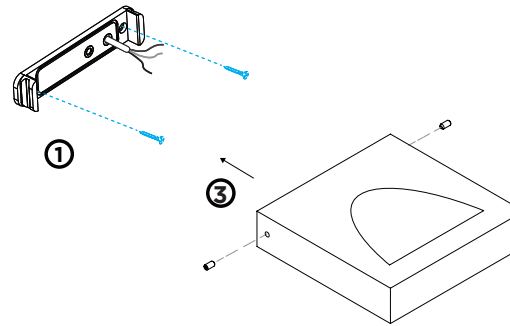
back plate dimensions



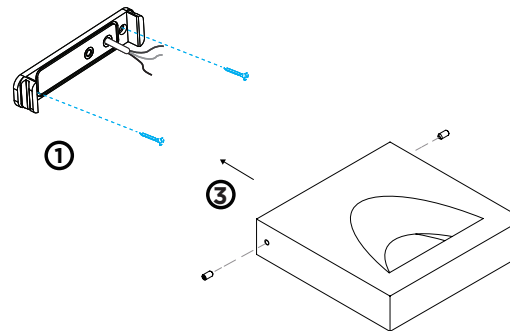
necessary for IP-rating

	A	B	C
CABLE			
TYPE	ROUND H05RN-F H07RN8-F H07RN-F	ROUND H05RN-F	ROUND
OUTSIDE Ø	min 6.8mm max 8.9mm	min 5mm max 6.8mm	min 1.5mm max 2.6mm
CONDUCTION SECTION	2or3x 0.75mm <sup>2</sup> 2or3x 1.0mm <sup>2</sup> 2or3x 1.5mm <sup>2</sup>	2or3x 0.75mm <sup>2</sup> 2x 1.0mm <sup>2</sup>	0.75mm <sup>2</sup> 1.5mm <sup>2</sup>

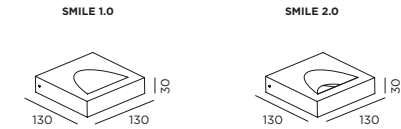
## SMILE 1.0



## SMILE 2.0



## DIMENSIONS

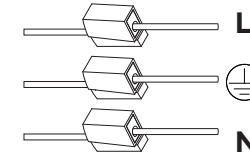


## MOUNTING INSTRUCTION

- 1 Remove the back plate and fixate to the wall with screws

## POWER CONNECTION

- 2 Connect the wires with the terminals.



- 3 Mount the SMILE on the back plate



**WEVER & DUCRÉ**  
LIGHTING

[www.weverducre.com](http://www.weverducre.com)

Wever & Ducre bvba Spinnerijstraat 99/21 8500 Kortrijk

**INSTALLATION  
INSTRUCTIONS**