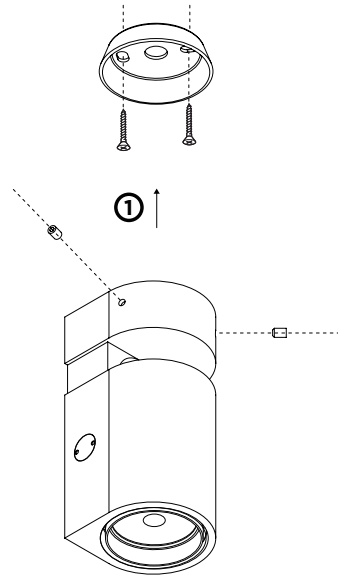
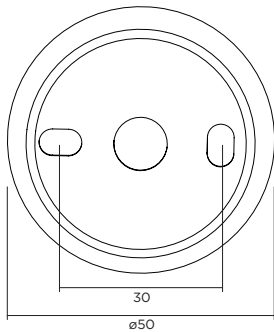


SQUBE ON BASE 2.0

22-Jun.-2018

2.0 LED	
LED 12W 220-240VAC 50-60Hz COB 3-step incl. PS phase-cut dim	
CE IP20 0,3m 24° 90°	
white texture	144464W_
black texture	144464B_
LIGHT COLOUR	
2700K >80CRI 780lm	2
3000K >80CRI 810lm	4
1800-3000K >80CRI 850lm	9
OPTIONAL	
dimmer	
for switch	90019017
for din rail	90019018

base plate dimensions



DIMENSIONS

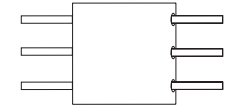


MOUNTING INSTRUCTION

- 1 Remove the screws, put the cables through the opening and mount the base on the ceiling.

POWER CONNECTION

- 2 Interior: connection: STANDARD version



Mount the fixture again with the screws on the base.

The light source of the integrated LED is not replaceable;
When the light source reaches its end of life the whole luminaire shall be replaced.



Caution, risk of electric shock