

STRIPE

16-Jan-2019

0.4

LED 1/2W | 350-700mA | 3Vf | PCB 3-step | excl. power supply

CE IP20 960°C 0.3m 10

3000K | >80CRI | 90-150lm

white texture
aluminium brushed
black texture

305151W4
305151L4
305151B4

ALWAYS USE

for power supplies see our catalogue

OPTIONAL, (ORDER SEPARATELY)

plasterkit + recessed housing

90012037

0.7

LED 1/2W | 350-700mA | 3Vf | PCB 3-step | excl. power supply

CE IP20 960°C 0.3m 10

3000K | >80CRI | 90-150lm

white texture
aluminium brushed
black texture

305251W4
305251L4
305251B4

ALWAYS USE

for power supplies see our catalogue

OPTIONAL, (ORDER SEPARATELY)

plasterkit + recessed housing

90012037

2.2

LED 1/2W | 350-700mA | 3Vf | PCB 3-step | excl. power supply

CE IP20 960°C 0.3m 10

3000K | >80CRI | 90-150lm

white texture
aluminium brushed
black texture

305351W4
305351L4
305351B4

ALWAYS USE

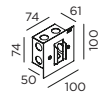
for power supplies see our catalogue

OPTIONAL, (ORDER SEPARATELY)

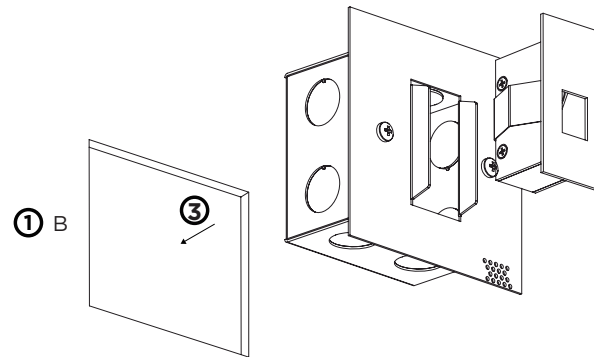
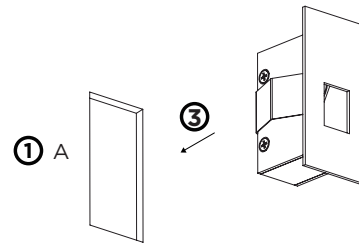
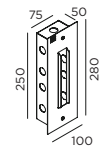
plasterkit + recessed housing

90012038

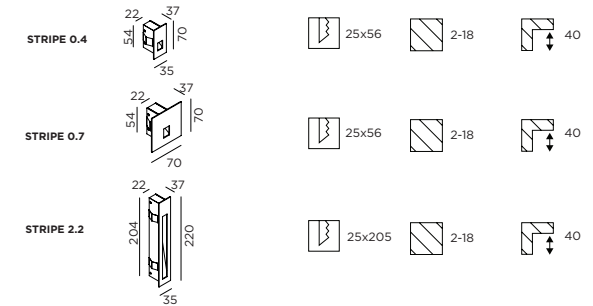
STRIPE 0.4 | 0.7
plasterkit + recessed housing



STRIPE 2.2
plasterkit + recessed housing



DIMENSIONS



MOUNTING INSTRUCTION

- 1 Make a hole in the ceiling according to the prescribed dimensions.

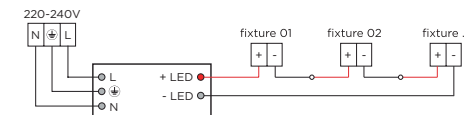
A - Hollow wall

B - Plaster kit | recessed housing

POWER CONNECTION

- 2 SERIAL CONNECTION - for LED

Always use POWER SUPPLY according to the specifications of the LED-module

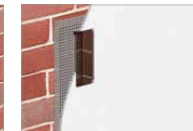


- 3 A - Insert the fixture in the hollow wall.

B - Insert the fixture in plaster kit | recessed housing



Mount the aluminium perforated plaster kit (bended parts on the outside) into the hole



Minimum thickness of the plaster: 8mm



When the plaster has been dried out, connect the wires and insert the luminaire



WEVER & DUCRÉ
LIGHTING

www.weverducre.com

Wever & Ducre bvba Spinnerijstraat 99/21 8500 Kortrijk

INSTALLATION
INSTRUCTIONS