

TAPE ground

29-May-2019

4.0

LED 8W | 220-240VAC | 50-60Hz | COB 3-step | incl. PS | phase-cut dim

CE \oplus IP65 $\text{960}^{\circ}\text{C}$ \downarrow 0.3m E E E

3000K | >90CRI | 420lm

white texture

722274W5

dark grey texture

722274D5

OPTIONAL

groundspike

90013102

6.0

LED 8W | 220-240VAC | 50-60Hz | COB 3-step | incl. PS | phase-cut dim

CE \oplus IP65 $\text{960}^{\circ}\text{C}$ \downarrow 0.3m E E E

3000K | >90CRI | 420lm

white texture

722374W5

dark grey texture

722374D5

OPTIONAL

groundspike

90013102

8.0

LED 8W | 220-240VAC | 50-60Hz | COB 3-step | incl. PS | phase-cut dim

CE \oplus IP65 $\text{960}^{\circ}\text{C}$ \downarrow 0.3m E E E

3000K | >90CRI | 420lm

white texture

722474W5

dark grey texture

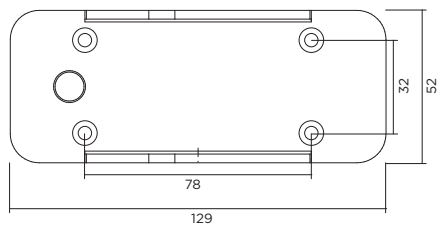
722474D5

OPTIONAL

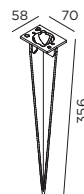
groundspike

90013102

mounting plate dimensions



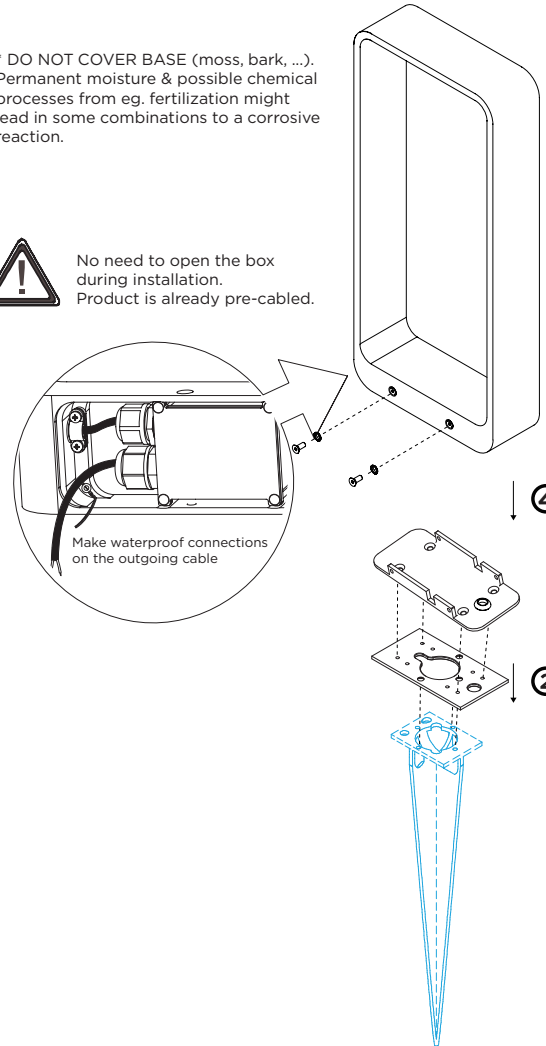
OPTIONAL, (ORDER SEPARATELY)
groundspike dimensions



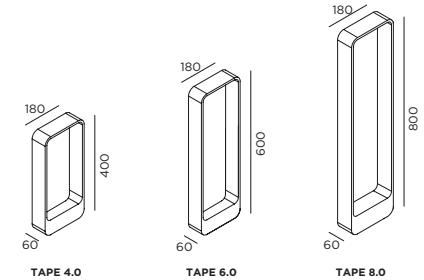
* DO NOT COVER BASE (moss, bark, ...). Permanent moisture & possible chemical processes from eg. fertilization might lead in some combinations to a corrosive reaction.



No need to open the box during installation.
Product is already pre-cabled.



DIMENSIONS

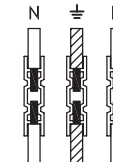


MOUNTING INSTRUCTION

- 1 Remove the mounting plate
- 2 Fix the mounting plate on the ground with screws or mount on the groundspike

POWER CONNECTION

- 3 Connect the wires with the waterproof connections



- 4 Fix the housing on the mounting plate