

TRAIN

12-Mar-2019

1.0

LED 6W | 220-240VAC | 50-60Hz | COB 3-step | incl. PS | phase cut dim

CE IP20 0.3m

3000K | >90CRI | 420lm

aluminium brushed
white texture

719668L5
719668W5

2.0

LED 2x4W | 220-240VAC | 50-60Hz | COB 3-step | incl. PS | phase cut dim

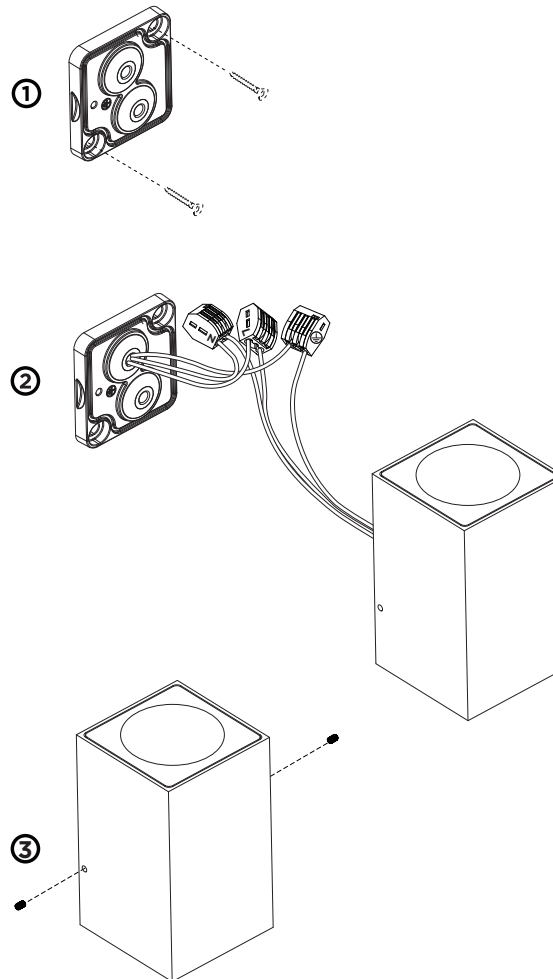
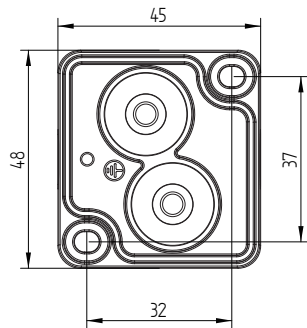
CE IP20 0.3m

3000K | >90CRI | 2x280lm

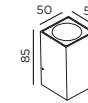
aluminium brushed
white texture

719768L5
719768W5

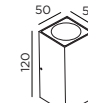
wall base dimensions



DIMENSIONS



TRAIN 1.0



TRAIN 2.0

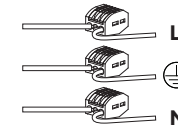
MOUNTING INSTRUCTION

- 1 Attach the wall base on the wall with screws

POWER CONNECTION

- 2 Make connection with the power supply

Interior: STANDARD version



- 3 Attach the TRAIN on the wall base with the side screws

TRAIN

12-Mar-2019

1.0

LED 6W | 220-240VAC | 50-60Hz | COB 3-step | incl. PS | phase cut dim

CE IP65 0.3m

3000K | >90CRI | 420lm

dark grey texture
white texture
black texture

719868D5
719868W5
719868B5

2.0

LED 2x4W | 220-240VAC | 50-60Hz | COB 3-step | incl. PS | phase cut dim

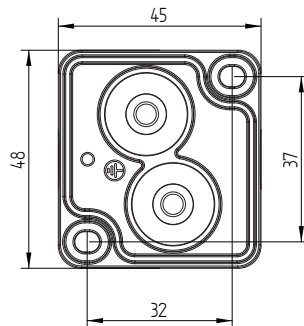
CE IP65 0.3m

3000K | >90CRI | 2x280lm

dark grey texture
white texture
black texture

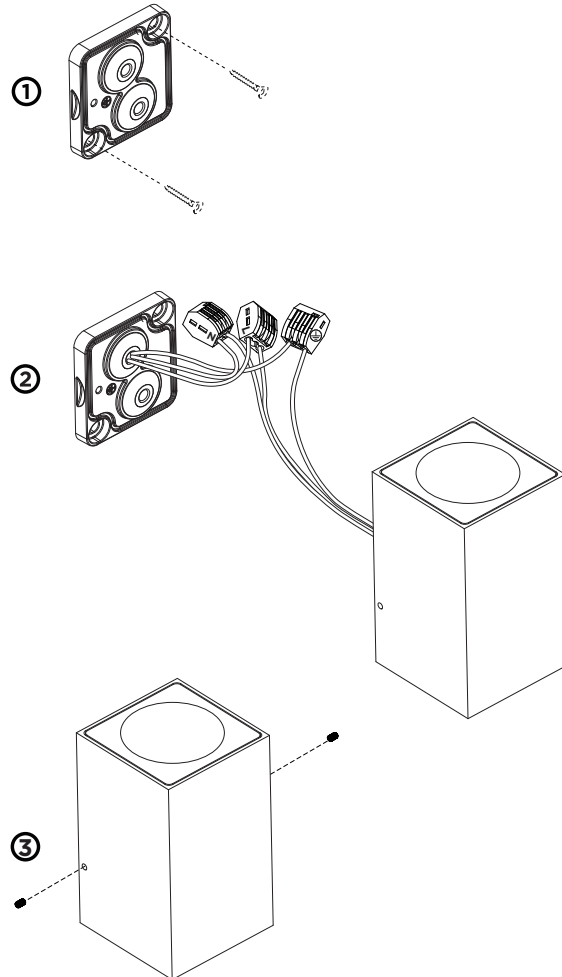
719968D5
719968W5
719968B5

wall base dimensions

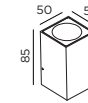


necessary for IP-rating

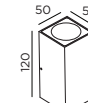
	A	B	C
use pin to make hole, not a knife			
CABLE			
TYPE	ROUND H05RN-F H07RN8-F H07RN-F	ROUND H05RN-F	ROUND
OUTSIDE Ø	min 6.8mm max 8.9mm	min 5mm max 6.8mm	min 1.5mm max 2.6mm
CONDUCTION SECTION	2or3x 0.75mm ² 2or3x 1.0mm ² 2or3x 1.5mm ²	2or3x 0.75mm ² 2x 1.0mm ²	0.75mm ² 1.5mm ²



DIMENSIONS



TRAIN 1.0



TRAIN 2.0

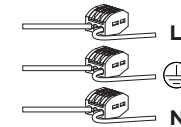
MOUNTING INSTRUCTION

- 1 Attach the wall base on the wall with screws

POWER CONNECTION

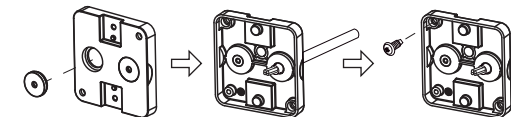
- 2 Make connection with the power supply

Interior: STANDARD version



Exterior: WATERPROOF Connection

IP-rated connections for wall fixtures: cable isolation for round cables \varnothing 4.5-7.5 mm, should be in the grommet. For cable use \varnothing 7.0-9.5 mm: replace the grommet with the other grommet in the bag. Refer to overview table.



Push the grommet into the back plate. Pull the cable through the back plate. Mount the back plate on the wall.

- 3 Attach the TRAIN on the wall base with the side screws



WEVER & DUCRÉ
LIGHTING

www.weverducre.com

Wever & Ducré bvba Spinnerijstraat 99/21 8500 Kortrijk

INSTALLATION
INSTRUCTIONS

PAGE 2/2