

TUBE CEILING

04-Feb.-2017

1.0 LED

LED 8W | 220-240VAC | 50-60Hz | COB3-step | incl. PS | phase-cut dim

CE IP65 38°

3000K | >80 CRI | 480lm

white texture
dark grey texture
black texture

734164W4
734164D4
734164B4

1.0 PAR16

PAR16 max.35W | GU10 | 100-240VAC | 50-60Hz

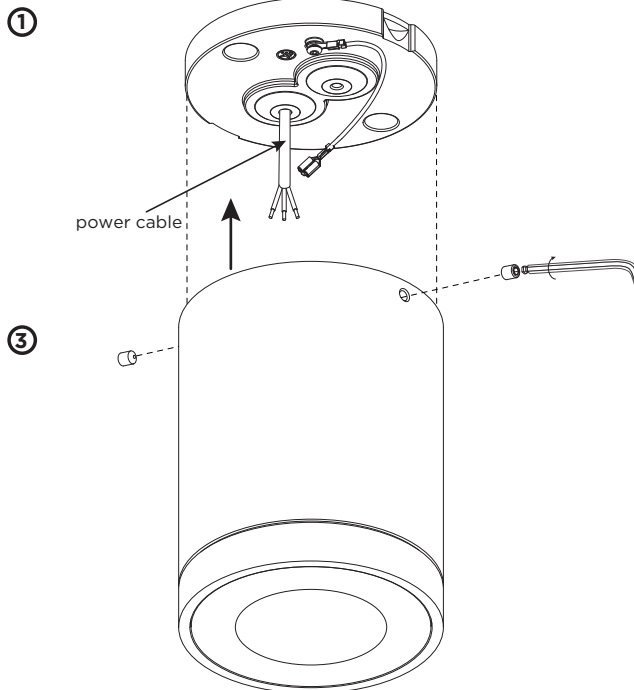
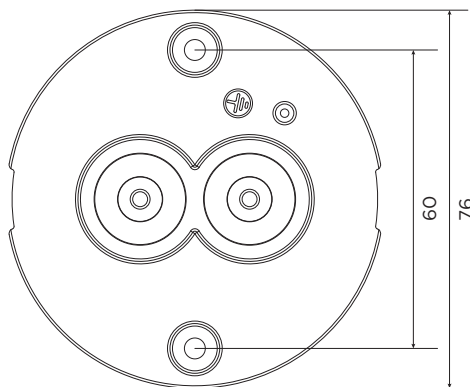
CE IP65 38°

white texture
dark grey texture
black texture

734120W0
734120D0
734120B0

OPTIONAL: PAR16 LED GU10 6W | phase-cut dim : 2700K | 3000K | 1800-2850K

Mounting Base:

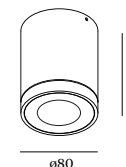


The light source of the integrated LED is not replaceable;
When the light source reaches its end of life the whole luminaire shall be replaced.

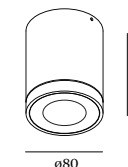


Caution, risk of electric shock

DIMENSIONS



1.0 LED



1.0 PAR16

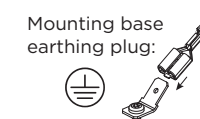
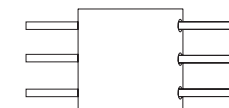
MOUNTING INSTRUCTION

- Remove the mounting base from the TUBE CEILING and mount it on the ceiling with screws.

POWER CONNECTION

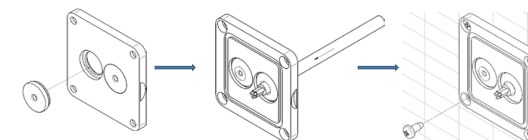
- Make connection with the power supply

Interior: STANDARD version



Exterior: WATERPROOF Connection

IP-rated connections for wall and ceiling fixtures: cable isolation for round cables \varnothing 4.5-7.5 mm, should be in the grommet. For cable use \varnothing 7.0-9.5 mm: replace the grommet with the other grommet in the bag.



Push the grommet into the back plate.

Pull the cable through the back plate.

Mount the back plate on the wall.

- Mount the luminaire on the base with the socket screws.



WEVER & DUCRÉ
LIGHTING

www.weverducre.com

Wever & Ducré bvba Kwadestraat 153 bus 2.1 8800 Roeselare

INSTALLATION
INSTRUCTIONS