

# VENN 2.0 DALI

03-Apr.-2019

## 2.0

LED 47W | 220-240VAC | 50-60Hz | PCB3-step | DALI

CE IP20 90° 10.3m P

White texture

149285W\_

Black texture

149285B\_

Bronze

149285Q\_

### LIGHT COLOUR

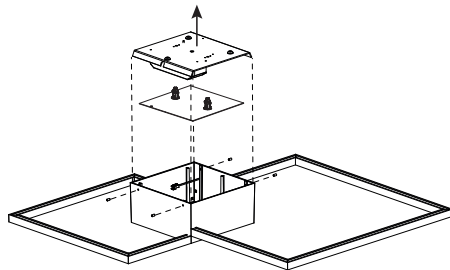
2700K | >80CRI | direct 370lm, indirect 2100lm

2

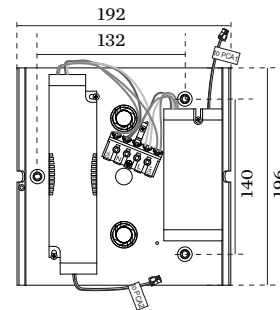
3000K | >80CRI | direct 400lm, indirect 2250lm

4

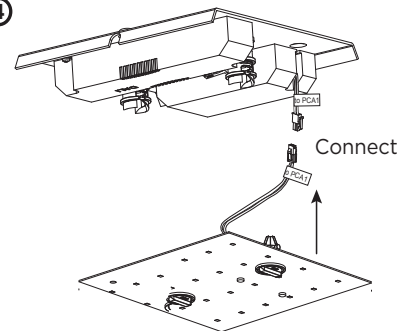
①



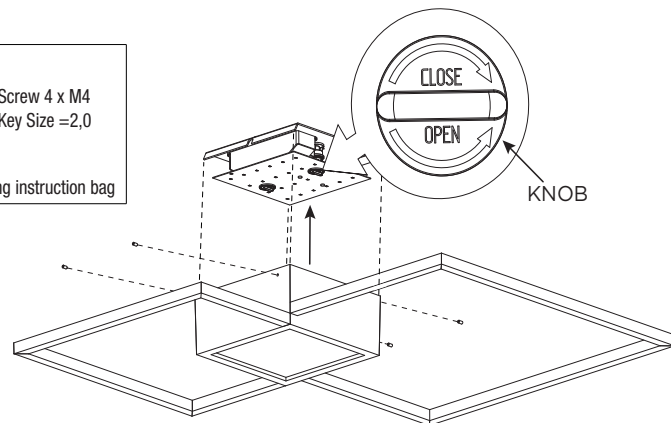
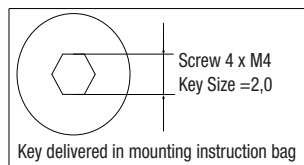
②



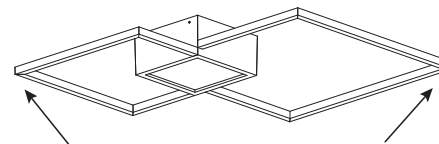
④



⑤

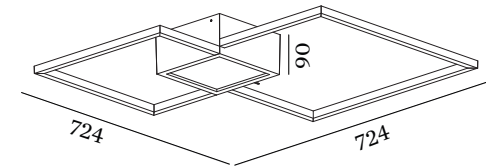


⑥



Be careful not to push or pull the arms during installation.

## DIMENSIONS

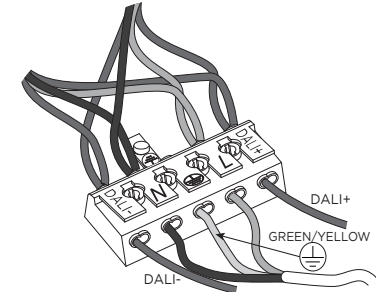


## MOUNTING PLATE FIXATION

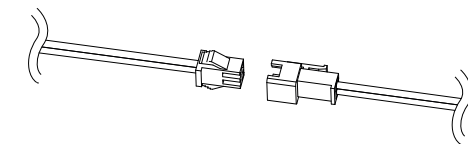
- ① Remove the mounting plate & PCBA combination and twist the two knobs (SEE DRAWING 5) of PCBA to **open** to separate them.
- ② Fixate the mounting plate to the wall/ceiling with screws.

## POWER CONNECTION

- ③ Connect the terminal block



Connect the plugs.



- ④ Connect the PCBA on the mounting plate and twist the two knobs to **close**.
- ⑤ Fixate the lamp base back to the mounting plate.
- ⑥ Complete



WEVER & DUCRÉ  
LIGHTING

www.weverducre.com

Wever & Ducre bvba Spinnerijstraat 99/21 8500 Kortrijk

INSTALLATION  
INSTRUCTIONS

PAGE 1/2

# VENN 2.0

## DALI

### DETAILED MOUNTING INSTRUCTION

*03-Apr.-2019*

**DETAILED DIMENSIONS VENN:**

