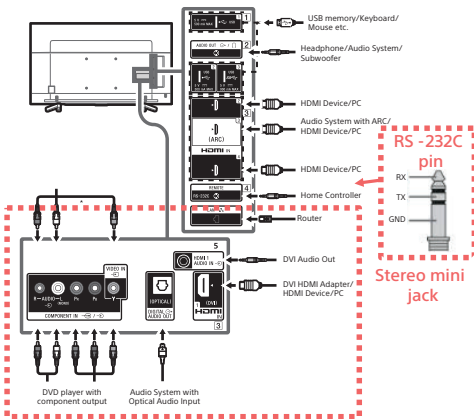


Specifications

		FW-85BZ35F	FW-75BZ35F	FW-65BZ35F	FW-55BZ35F	FW-49BZ35F	FW-43BZ35F
Panel	Screen size	85"	75"	65"	55"	49"	43"
	Display resolution	QFHD	QFHD	QFHD	QFHD	QFHD	QFHD
	Brightness(cd/m ²)	620	620	620	620	505	505
	Contrast ratio	4000:1	1400:1	1400:1	1400:1	5000:1	1400:1
	Dynamic contrast ratio	500,000:1	500,000:1	500,000:1	500,000:1	400,000:1	400,000:1
	Response time (ms)(*)	6	5	5	5	8	5
	Panel type (IPS / VA)	VA	IPS	IPS	IPS	VA	IPS
	Panel surface	AG	AG	AG	AG	AG	AG
	Haze (%)	2%	3%	3%	3%	2%	3%
	Backlight type	Direct LED	Edge LED	Edge LED	Edge LED	Edge LED	Edge LED
	Aspect ratio	16:9	16:9	16:9	16:9	16:9	16:9
	Viewing angle (Right/Left)	178 (89/89) degree	178 (89/89) degree	178 (89/89) degree	178 (89/89) degree	178 (89/89) degree	178 (89/89) degree
Viewing angle (Up/Down)	178 (89/89) degree	178 (89/89) degree	178 (89/89) degree	178 (89/89) degree	178 (89/89) degree	178 (89/89) degree	
Connectivity	Input	HDMI(4), Composite video, Component video (Y/Pb/Pr), Analogue audio, USB2.0 (2), USB3.1					
	Output	Digital audio, Audio out					
	External control	RS-232C, Ethernet, Wireless LAN					
Video	Compatible with HDR	Yes (HDR10, HLG)					
	Video signal	4096×2160p (24.60Hz), 3840×2160p (24.30,60Hz), 1080p (30,60Hz), 1080/24p, 1080i (60Hz), 720p (30,60Hz), 720/24p, 480p, 480i					
Dimensions	Bezel width (Top/Side/Bottom) (mm)	17/17/17	9.6/9.6/15.6	8.5/8.5/14.1	8.5/8.5/14.1	9.3/9.8/13.4	8.8/9.3/13.4
	Display only (W×H×D) (mm)	1911×1098×73	1673×963×54	1450×836×52	1231×713×52	1098×644×58	965×569×58
	Display with stand (W×H×D) (mm)	1911×1176×429	1673×1031×371	1450×900×315	1231×776×315	1098×703×279	965×628×279
	Package carton (W×H×D) (mm)	2082×1233×369	1884×1083×188	1565×946×179	1332×817×158	1188×776×148	1070×695×148
	VESA® hole pitch (mm)	400×400	400×300	300×300	300×200	200×200	100×200
Weight	Display only (kg)	44.1	38.9	25.6	19.1	13.2	10.8
	Display with stand (kg)	46.2	40.1	26.5	20	13.7	11.3
	Package carton (kg)	64	53	35	26	19	15
Power	Power consumption (w)	378	250	196	170	145	120
	Power consumption (in standby) (W)	0.5	0.5	0.5	0.5	0.5	0.5

Terminals



Rear terminals cannot be used for wall mount with limited space

Terminals	Number	Description
Composite Video	1	Rear Hybrid w/Component
Component Video	1	Rear Hybrid w/Composite
HDMI™ Connection(s)	4	3Side, 1Rear (*) Port 1 : Rear Port 2/3: High-Quality HDMI/Side Port 4: Side
Analog Audio Input(s)	1	Rear
Digital Audio Output(s)	1	Rear
Audio Out	1	Side/Hybrid w/HP and Subwoofer Out
USB	3	Side Port1/2: USB2.0 Port3: USB 3.1 Gen 1
Ethernet Connection(s)	1	Side
Wireless LAN	integrated	Only 2.4GHz supported / 1-12 CH

(*) High-Quality HDMI: Up to 4K 60p 4:4:4(8bit)/4:2:2(12bit)/4:2:0(10bit)
Others: Up to 4K 60p 4:2:0(8bit)