

# FEATURE HIGHLIGHTS

- LASER LIGHT SOURCE
- 5000 ANSI LUMENS
- 4K UHD
- HDR
- 1.1X ZOOM & LENS SHIFT
- 360-DEGREE PROJECTION
- PROJECTOR AND REMOTE CONTROL ID SETTING



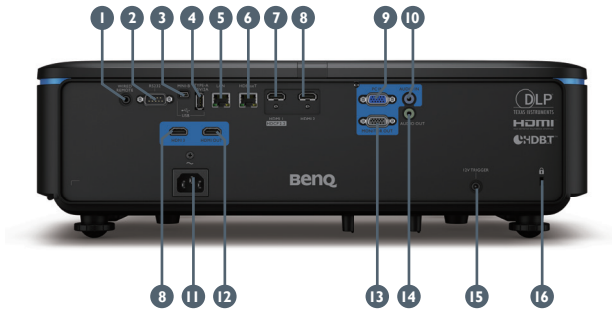
## Product Specifications

Article no.	9HJJP77.15E	
EAN Code	471 8755 07536 0	
Projection System	DLP Single 0.47" XPR 4K	
DMD type	DC3 DMD Chip	
Native Resolution	4K UHD 3840 x 2160	
Brightness	5000 ANSI Lumens	
Contrast Ratio*	100,000 : 1	
Display Color	1.07 Billion Colors	
Aspect Ratio	Native 16:9 (5 aspect ratio selectable)	
Projection Size	30"~300"	
Throw Ratio	0.81~0.88	
Zoom Ratio	1.1x	
Lens Control	Manual Zoom and Focus	
Lens Shift	Manual Lens Shift, V: ±60 %; H: ±23 %	
Light Source Type	BlueCore Laser	
Light Source Life**	20,000 hours	
Keystone Adjustment	1D keystone, V: ± 30 degree	
Resolution Support	Up to 3840 x 2160 px	
Horizontal Frequency	15~135 KHz	
Vertical Scan Rate	24~120 Hz	
Compatibility	HDTV Compatibility SDTV (480i / 576i), EDTV (480p / 576p, HDTV (720p, 1080i 60 / 50, 1080P 50 / 60 / 30 / 25 / 24, 3840 x 2160p 60 / 50 / 30 / 25 / 24)	
Built-in Speaker	10W	
Feature	4K UHD, HDR 10, Projector / Remote Control ID Setting, Auto High Altitude Mode, HDBaseT, LAN Control, 360° Projection	
Dimensions (W x H x D)	490 x 159 x 380 mm	
Weight	10.1 kg	
Power Supply	100~240 V AC	
Power Consumption	Max 585W / Normal 520W / Eco 390W	
Standby Power Consumption	Normal < 0.5W / Network <2W	
Audible Noise	40 / 38 dBA	
Operating Temperature	0~40°C	
On-Screen Display Languages	Arabic / Bulgarian / Croatian / Czech / Danish / Dutch / English / Finnish / French / German / Greek / Hindi / Hungarian / Italian / Indonesian / Japanese / Korean / Norwegian / Persian / Polish / Portuguese / Romanian / Russian / Simplified Chinese / Spanish / Swedish / Turkish / Thai / Traditional Chinese / Vietnam (30 languages)	
Accessories	<b>Standard</b> Remote Control (RCA01 I) Power Cord Lens Cover AAA Battery x2 Installation Guide / Regulatory Statement	<b>Optional</b> Ceiling mount (CMG3)
Guarantee	5 years or 20,000 hours (which comes first)	

\* The Contrast is measure by Full On Full Off standard.

\*\* LightSource life results will vary depending on environmental conditions and usage. Actual product's features and specifications are subject to change without notice.

## Input and Output Terminals



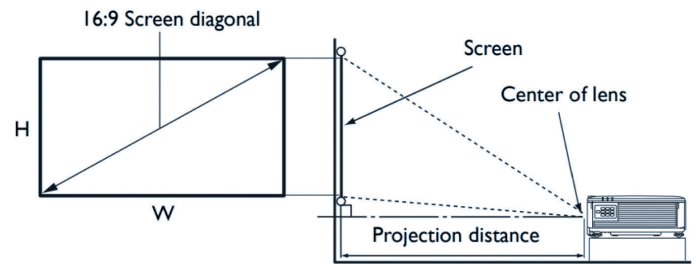
- ① Wired Remote Input
- ② RS232 Input (D-sub 9pin, male)
- ③ USB Type B (Service)
- ④ USB Type A (5V / 2A power)
- ⑤ LAN Port (RJ45 for Network control)
- ⑥ HDBaseT
- ⑦ HDMI Input (HDCP 2.2)
- ⑧ HDMI Input
- ⑨ PC Input
- ⑩ Audio Input (mini jack)
- ⑪ AC Power Jack
- ⑫ HDMI Output
- ⑬ Monitor Output (D-sub 15pin, female)
- ⑭ Audio Output (mini jack)
- ⑮ 12V Trigger
- ⑯ Kensington anti-theft lock slot

## Dimensions

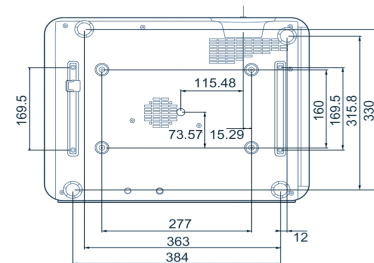
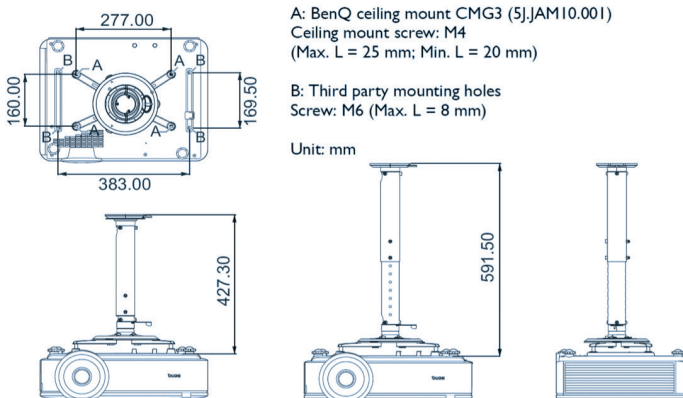


## Distance Chart

Screen size			Distance from screen (mm)			
Diagonal		W	H	Min length	Average	Max length
Inch	mm	(mm)	(mm)	(max zoom)		(min zoom)
30	762	664	374	538	565	591
40	1016	886	498	717	753	788
50	1270	1107	623	897	941	985
60	1524	1328	747	1076	1129	1182
80	2032	1771	996	1435	1505	1576
90	2286	1992	1121	1614	1694	1773
100	2540	2214	1245	1793	1882	1970
110	2794	2435	1370	1972	2070	2167
120	3048	2657	1494	2152	2258	2364
130	3302	2878	1619	2331	2446	2561
140	3556	3099	1743	2510	2634	2758
150	3810	3321	1868	2690	2823	2955
160	4064	3542	1992	2869	3011	3152
170	4318	3763	2117	3048	3199	3349
180	4572	3985	2241	3228	3387	3547
190	4826	4206	2366	3407	3575	3744
200	5080	4428	2491	3586	3763	3941
250	6350	5535	3113	4483	4704	4926
300	7620	6641	3736	5380	5645	5911



## Ceiling Mount Chart



### BenQ Europe B.V.

Meerenakkerweg 1-17  
 5652 AR Eindhoven  
 The Netherlands  
 Tel: +31 88 8889200

BenQ.eu

© 2018 BenQ Corp. Specifications may vary by region, please visit your local stores for details. Actual product's features and specifications are subject to change without notice. This material may include corporate names and trademarks of third parties which are the properties of the third parties respectively.

# BENQ