

# PHOS 65 – SPECIFICATIONS



item:.....	PHOS 65
body:.....	steel / aluminium
weight: .....	3.2 kg
on / off switch: .....	on the rear side of the device
environmental conditions: .....	for dry indoor environments only
ambient temperature:.....	-30° C – + 35° C
cooling: .....	active cooling, fan
noise level: .....	21 dBA
light source: .....	60 W High Power LED
recommended projection distance in normal room light: .....	20 ft
recommended projection distance in darkness: .....	50 ft
average lifetime of the LED (L70):.....	25,000 hours
colour temperature:.....	6,300 - 6,700 K
luminous flux of the LED:.....	3,800 lumens
gobo size / image size: .....	Ø 50 mm / Ø 40 mm
input voltage: .....	220 - 240 V AC, 50 / 60 Hz
power consumption:.....	62 W
efficiency:.....	0.8 cos. φ
electrical protection:.....	I
ingress protection rating: .....	IP 20
photobiological safety according to ICE62471:2006 EN62471:2008:.....	RG-2
item number:.....	20065110 – white, 20065120 – black, 20065130 – silver

PHOS 65 is the most powerful top model and its 60 watts High-Power LED provides uncompromised brightness, which guarantees a brilliant and crisp projection in almost any situation. PHOS 65 is the optimal solution, when the ambient light is brighter, when projecting on coloured or dark surfaces or when colourful artworks are to be displayed. The device is equipped with a noise-optimized fan which dissipates the heat of the heat sink. PHOS 65 is suitable for dry interiors and can optionally be installed on tabletops, shelves, ceilings or walls. The maximum projection distance is 20 feet in normal room lighting and 50 feet in darkness. Recommended locations include: museums, trade fairs, shopping malls or large lobbies. The projection motif (gobo) can be changed without tools.

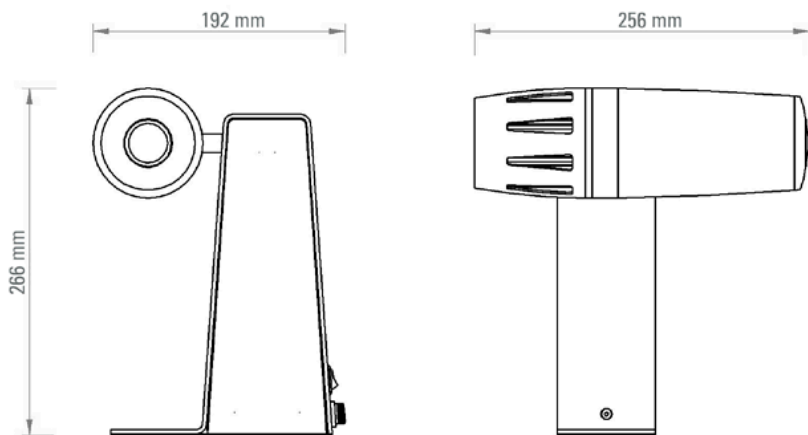
## Components

Standard series with high power LED and 85 mm standard lens. The machine is ready to plug in and run. Required accessories: glass gobo with individually designed motif.



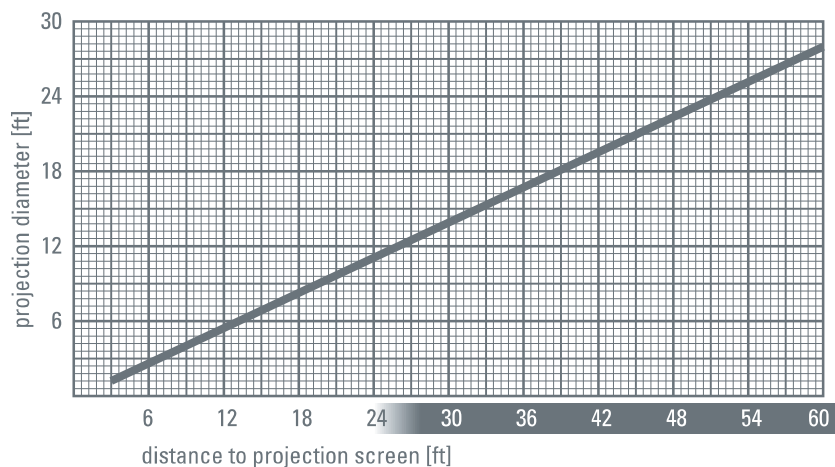
*We reserve the right to make technical and optical modifications. Our general terms and conditions apply.*

## Dimensions



## Projection Size

Standard Lens,  $f = 85 \text{ mm}$



**derksen**<sup>®</sup>  
benelux lichttechniek

Derksen Benelux Lichttechniek  
Vlinderhof 3  
5345 JX Oss  
Nederland

tel: +31 (0) 412 69 08 70  
fax: +31 (0) 412 69 08 69

info@derksenbenelux.nl  
www.derksenbenelux.nl