

PHOS 15 – SPECIFICATIONS



item:.....	PHOS 15
body:.....	steel / aluminium
weight:	1.6 kg
on / off switch:	not available
environmental conditions:	for dry indoor environments only
ambient temperature:.....	-30° C – + 35° C
cooling:	passive cooling
noise level:	0 dBA
light source:	10 W High Power LED
recommended projection distance in normal room light:	3 m / 10 ft
recommended projection distance in darkness:	6 m / 20 ft
average lifetime of the LED (L70):.....	35,000 hours
colour temperature:.....	6,500 - 8,000 K
luminous flux of the LED:.....	860 lumens
gobo size / image size:	Ø 30.0 mm / Ø 20.0 mm
input voltage:	100 - 240 V AC, 50 / 60 Hz
power consumption:.....	14 W
efficiency:.....	0.4 cos. φ
electrical protection:.....	I
ingress protection rating:	IP 20
photobiological safety according to ICE62471:2006 EN62471:2008:.....	RG-2
item number:	20015110 – white, 20015120 – black, 20015130 – silver

PHOS 15 is a compact LED projector with a big impact. The smallest system in our product range is suitable for dry indoor environments and can optionally be mounted on tabletops, shelves, ceilings or walls. The compact size makes it easy to install PHOS 15 without attracting attention and project a surprising outcome. Its performance will convince you, because the light of the 10 watt LED is focused by a special lens, so that a recommended distance of 10 feet is reached in normal room lighting. Possible locations include bars, lounges, shop windows or rack structures. The projection motif (gobo) can be changed without tools.

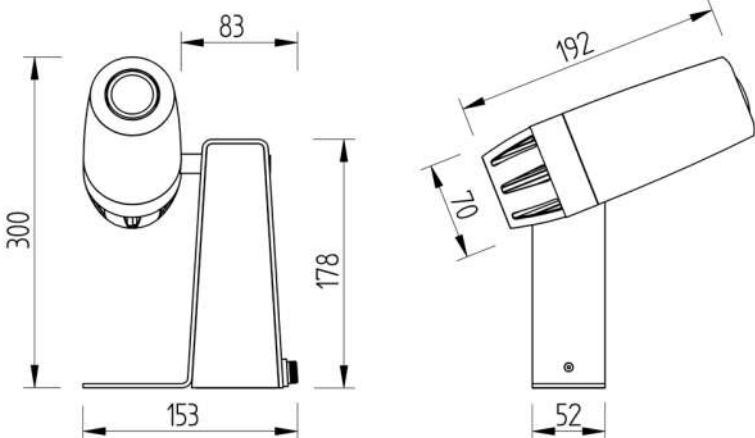
Components

Standard series with high power LED and 85 mm standard lens. The machine is ready to plug in and run. Required accessories: glass gobo with individually designed motif.



We reserve the right to make technical and optical modifications. Our general terms and conditions apply.

Dimensions [mm]



Projection Size

Standard Lens, f = 85 mm

