

Specification

	Model	LTV-2500	LTV-3500	LTV-3000 Pro	LTV-3500 Pro
Platform	Display Technology	Ti 0.47-inch PICO DMD	Ti 0.47-inch ECD DMD	Ti 0.47-inch PICO DMD	Ti 0.47-inch ECD DMD
	Light Source	RGB Triple Laser w/o phosphor color wheel	RGB Triple Laser w/o phosphor color wheel	RGB Triple Laser w/o phosphor color wheel	RGB Triple Laser w/o phosphor color wheel
	Laser Life	25,000+hours	25,000+hours	25,000+hours	25,000+hours
	Software OS	Android 9.0	Android 9.0	Android 9.0	Android 9.0
Projection	RAM/EMMC	3G/128G	3G/128G	3G/128G	3G/128G
	Projection Size	80-150 inch	80-150 inch	80-150 inch	80-150 inch
	Lens	Ricoh F 2.0 pure glass lens with super sharpness	Ricoh F 2.0 pure glass lens with super sharpness	Ricoh F 2.0 pure glass lens with super sharpness	Ricoh F 2.0 pure glass lens with super sharpness
	Brightness	2600 Peak Lumens 2000 ANSI Lumens	3500 Peak Lumens 3300 ANSI Lumens	3000 Peak Lumens 2400 ANSI Lumens	3500 Peak Lumens 3300 ANSI Lumens
	Resolution	4K@60Hz	4K@60Hz	4K@60Hz	4K@60Hz
	Throw Ratio	0.25:1	0.25:1	0.25:1	0.25:1
	Color Space	107% REC 2020	107% REC 2020	107% REC 2020	107% REC 2020
	Contrast Ratio	2500:1	2500:1	2500:1	2500:1
	HDR	Dolby Vision, HDR 10+, HDR 10, HLG	Dolby Vision, HDR 10+, HDR 10, HLG	Dolby Vision, HDR 10+, HDR 10, HLG	Dolby Vision, HDR 10+, HDR 10, HLG
	3D	Yes	Yes	Yes	Yes
	MEMC	Yes	Yes	Yes	Yes
	24 FPS	Yes	Yes	Yes	Yes
	HDMI ARC	eARC	eARC	eARC	eARC
	HDMI Input Lag	15 ms, 4K @ 60Hz 8 ms, 1080P @ 120Hz	15 ms, 4K @ 60Hz 8 ms, 1080P @ 120Hz	15 ms, 4K @ 60Hz 8 ms, 1080P @ 120Hz	15 ms, 4K @ 60Hz 8 ms, 1080P @ 120Hz
	HDCP	HDCP2.2, HDCP1.4	HDCP2.2, HDCP1.4	HDCP2.2, HDCP1.4	HDCP2.2, HDCP1.4
	Wide Color Gamut(WCG)	Yes	Yes	Yes	Yes
	Electric Focus	Yes	Yes	Yes	Yes
	Keystone Correction	9 points	9 points	9 points	9 points
	Auto Brightness Adjustment	Yes	Yes	Yes	Yes
	Laser Outlet Blocked Detection	Yes	Yes	Yes	Yes
Eye Safety	Yes	Yes	Yes	Yes	
IP Control	No	No	PJ Link, Control 4 and SAVANT	PJ Link, Control 4 and SAVANT	
Audio & Noise	Audio Output Power	36W (Stereo)	36W (Stereo)	36W (Stereo)	36W (Stereo)
	Audio Performance	Dolby Atmos, DTS Virtual X	Dolby Atmos, DTS Virtual X	Dolby Atmos, DTS Virtual X	Dolby Atmos, DTS Virtual X
Connectivity	Noise	≤27dB	≤30dB	≤27dB	≤30dB
	HDMI	3+HDMI 2.0b (eARC on HDMI 2)	3+HDMI 2.0b (eARC on HDMI 2)	3+HDMI 2.0b (eARC on HDMI 2)	3+HDMI 2.0b (eARC on HDMI 2)
	USB	2+ USB 2.0	2+ USB 2.0	2+ USB 2.0	2+ USB 2.0
	Ethernet	1+ LAN	1+ LAN	1+ LAN	1+ LAN
	Digital Audio Output	1+ S/PDIF	1+ S/PDIF	1+ S/PDIF	1+ S/PDIF
	Analog Video Input	1+ AV In	1+ AV In	1+ AV In	1+ AV In
Power	TV Stok Compartment	1	1	1	1
	WiFi	Yes 802.11a/b/g/n/ac(Dual-Band)	Yes 802.11a/b/g/n/ac(Dual-Band)	Yes 802.11a/b/g/n/ac(Dual-Band)	Yes 802.11a/b/g/n/ac(Dual-Band)
	Bluetooth	Yes	Yes	Yes	Yes
	Power Supply	100 - 240 V@ 50-60Hz	100 - 240 V@ 50-60Hz	100 - 240 V@ 50-60Hz	100 - 240 V@ 50-60Hz
Accessories	Power Consumption	175 W	175 W	185 W	175 W
	Standby Mode	0.5 W	0.5 W	0.5 W	0.5 W
	Remote Control	Yes, IR & Bluetooth dual mode	Yes, IR & Bluetooth dual mode	Yes, IR & Bluetooth dual mode	Yes, IR & Bluetooth dual mode
General	Manual	Yes	Yes	Yes	Yes
	Power Cord	Yes	Yes	Yes	Yes
	AV Input Cable	Yes	Yes	Yes	Yes
	Dimensions	23.6*13.9*5.7inch 599*353*145mm	23.6*13.9*5.7inch 599*353*145mm	23.6*13.9*5.7inch 599*353*145mm	23.6*13.9*5.7inch 599*353*145mm
	Weight	21 lbs/9.5 kg	23.8 lbs / 10.8 kg	21 lbs/9.5 kg	23.8 lbs / 10.8 kg
	Packaged Dimensions	29.0*19.5*11.8 inch 736*495*300 mm	29.0*19.5*11.8 inch 736*495*300 mm	29.0*19.5*11.8 inch 736*495*300 mm	29.0*19.5*11.8 inch 736*495*300 mm
	Packaged Weight	28.9lbs / 13.1 kg	31.7 lbs / 14.4 kg	28.9lbs / 13.1 kg	31.7 lbs / 14.4 kg
	Working Temperature	32-104°F / 0-40°C	32-104°F / 0-40°C	32-104°F / 0-40°C	32-104°F / 0-40°C
	Storage Temperature	-4-140°F / -20-60°C	-4-140°F / -20-60°C	-4-140°F / -20-60°C	-4-140°F / -20-60°C
	Humidity	20%-80%RH	20%-80% RH	20%-80%RH	20%-80% RH
Atmospheric Pressure	86-106 kpa	86-106 kpa	86-106 kpa	86-106 kpa	

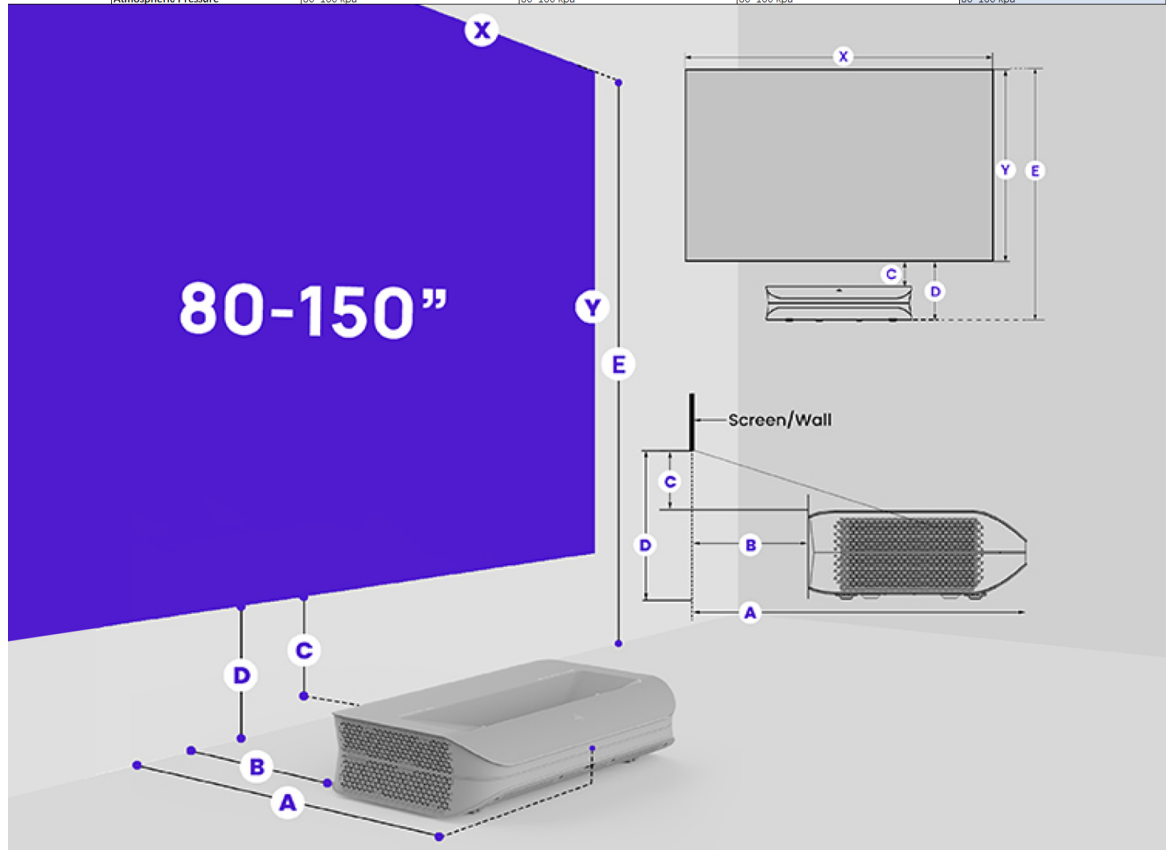


Image Size (Diagondl)	X Image Width	Y Image Height	A Image to front	B Image to rear	C Image to top	D Image to foot	E Y+D
80"	69.7"	39.2"	19.9"	6"	7.2"	12.9"	52.1"
100"	87.2"	49"	23.7"	9.8"	9.4"	15.1"	64.1"
110"	95.8"	53.9"	26.6"	12.4"	10.2"	15.9"	69.8"
120"	104.6"	58.8"	27.5"	13.6"	11.3"	17"	75.8"
135"	117.6"	66.1"	32.1"	17.9"	12.9"	18.6"	84.8"
150"	130.7"	73.5"	34.1"	20.2"	13.3"	19"	92.5"

Image Throw Distance Ratio (TR) = 0.25 *Unit: inches