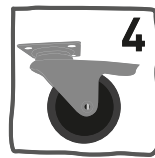
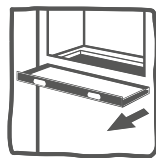


Woodland

# Flappy Pinus



WOODLAND  
BY



Made in China

Join us!

[www.duvoplus.com](http://www.duvoplus.com)



Writing  
Pet Stories  
Together




Industrieweg 55-700  
1022 Wondegem | Belgium  
[www.laroygroup.com](http://www.laroygroup.com)





@laroygroup

## THESE PARTS:

### FASTENERS

(A) 20+1pcs -  $\varnothing 3.5 \times 25$ mm 

(D) 4+1pcs -  $\varnothing 3.0 \times 16$ mm 

(G) 2+1pcs - M4.0x30mm 

(B) 8+1pcs -  $\varnothing 3.5 \times 35$ mm 

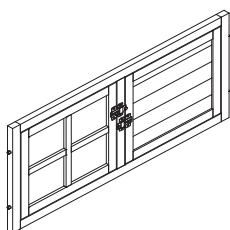
(E)  With brake wheels x2

(H) 

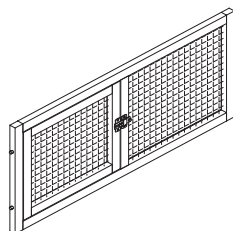
(C) 16+1pcs -  $\varnothing 3.5 \times 45$ mm 

(F)  Without brake wheels x2

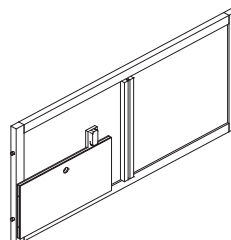
### WOOD PIECES



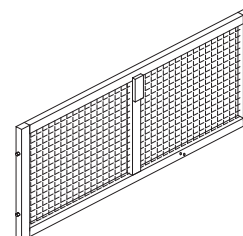
1



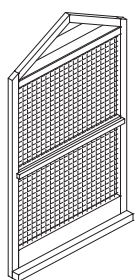
2



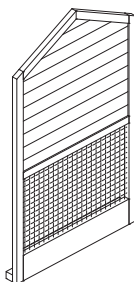
3



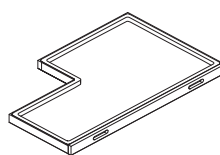
4



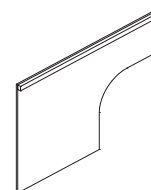
5



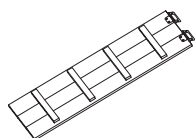
6



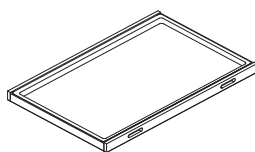
7



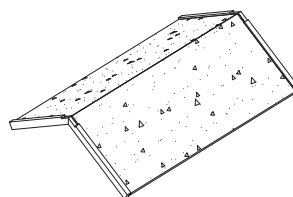
8



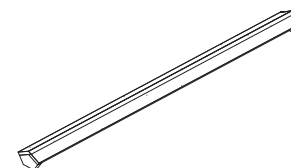
9



10



11

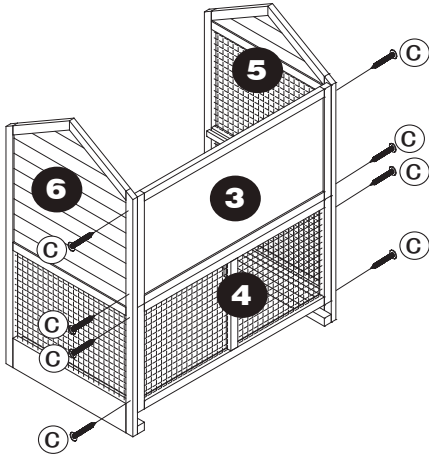


12

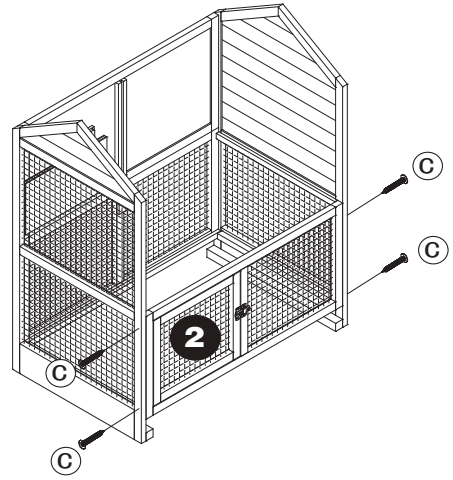
# Assembly Instructions

\*Use Screwdriver for Assembly

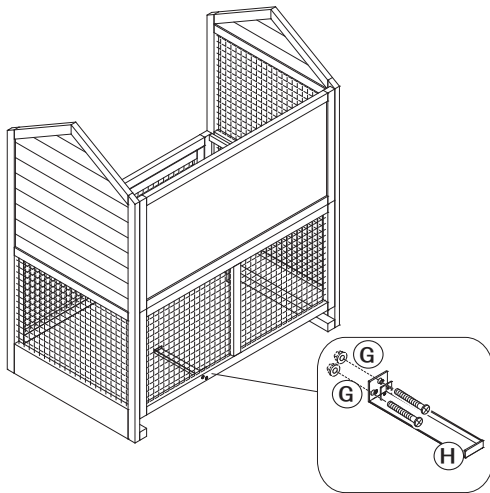
**1**



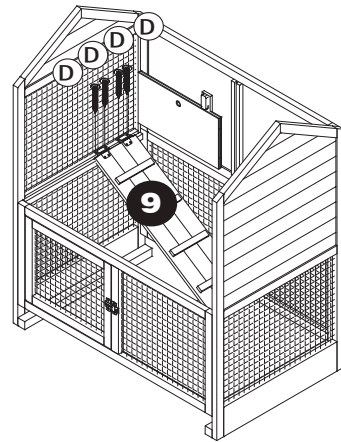
**2**



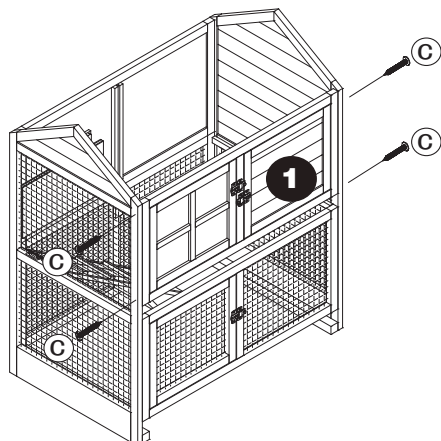
**3**



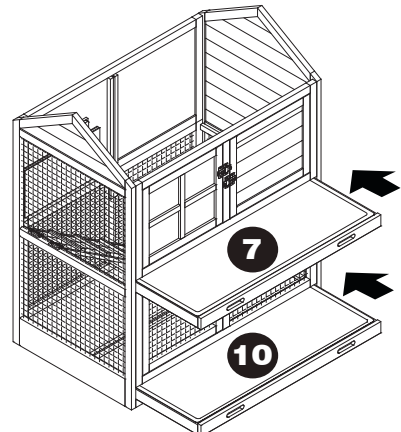
**4**



**5**

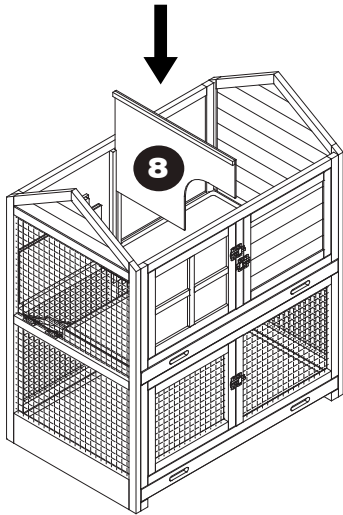


**6**

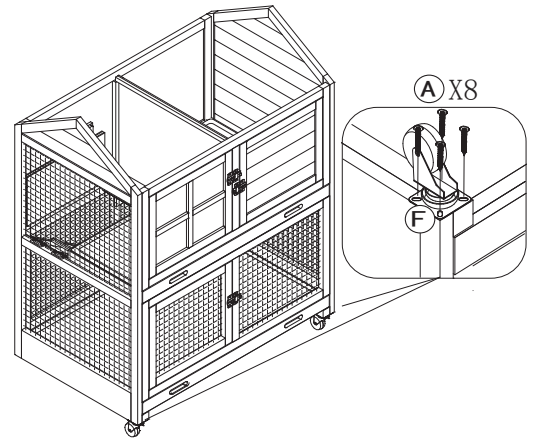




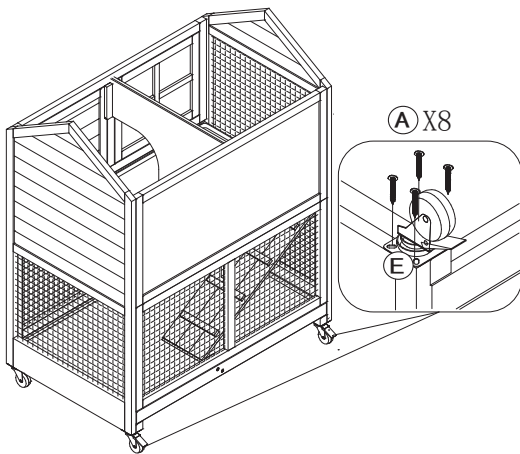
# 7



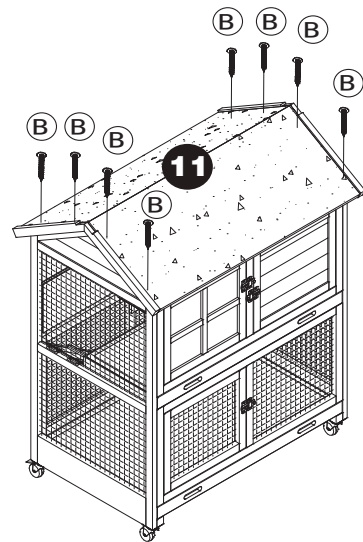
# 8



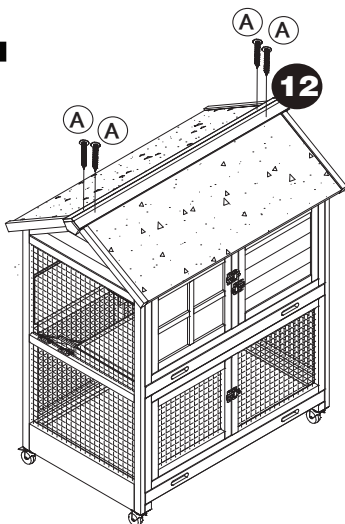
# 9



# 10



# 11



# 12

