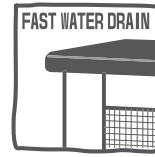
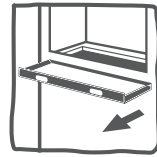



Woodland

Bel-étage Country



WOODLAND
BY
duvo plus®



Join us!
www.duvoplus.com

duvo plus®
Writing Pet Stories Together

Laroy GROUP
Industrieweg 98-100
9032 Wortelgem | Belgium
www.laroygroup.com

f i y @laroygroup

THESE PARTS:

FASTENERS

(A) 10 pcs - $\varnothing 3,5 \times 45$ mm



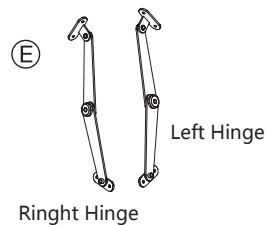
(C) 6 pcs - $\varnothing 3.5 \times 25$ mm



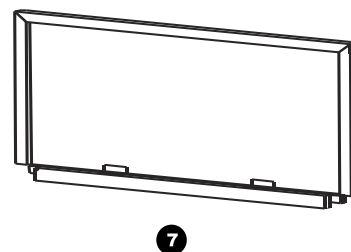
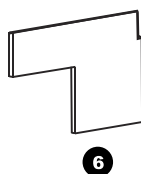
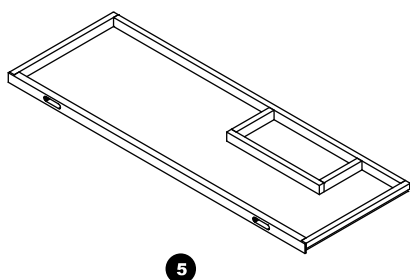
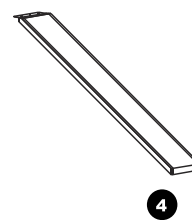
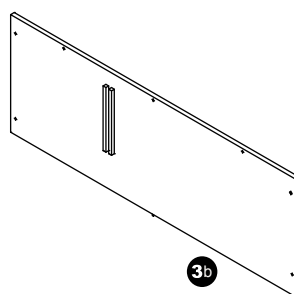
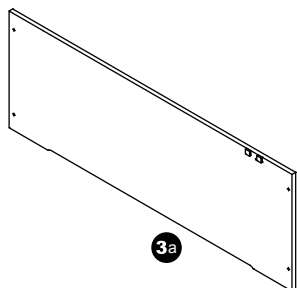
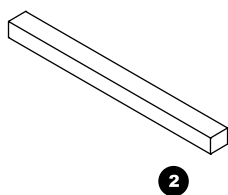
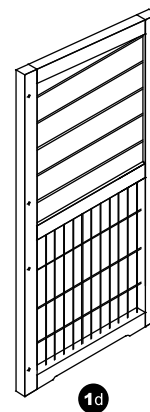
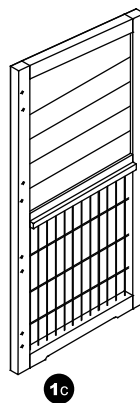
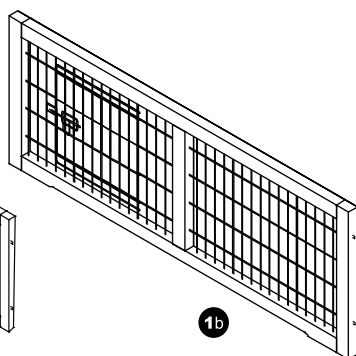
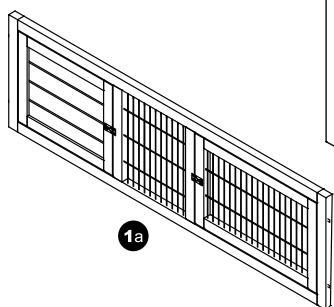
(B) 10 pcs - $\varnothing 3.5 \times 30$ mm



(D) 3 pcs - $\varnothing 3.0 \times 16$ mm



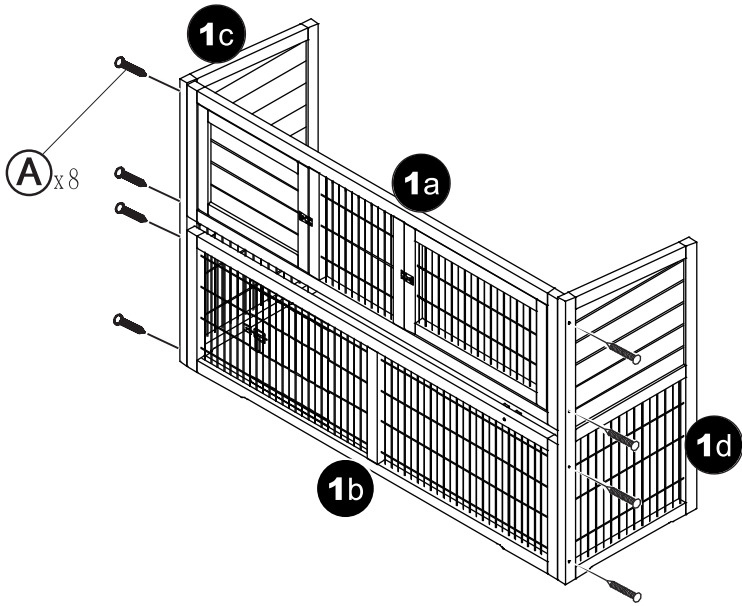
WOOD PIECES



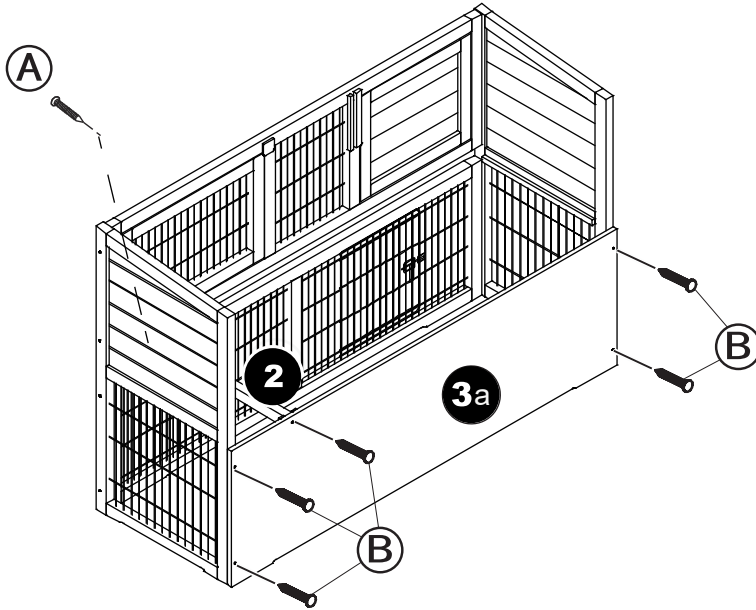
Assembly Instructions

*Use Screwdriver for Assembly

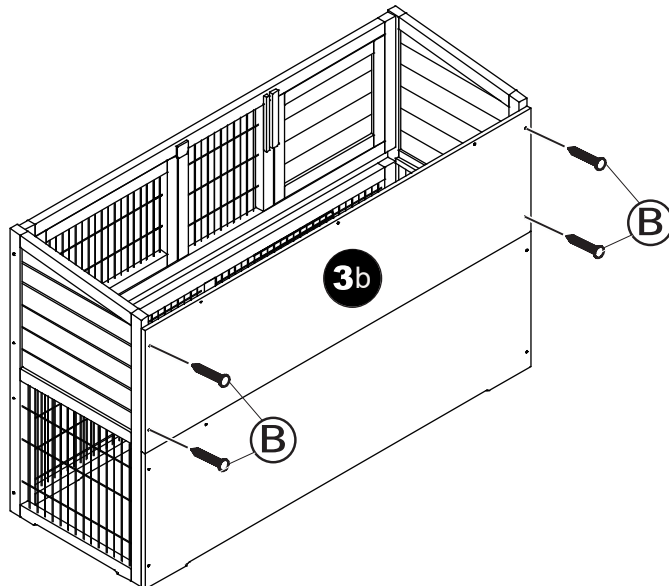
1



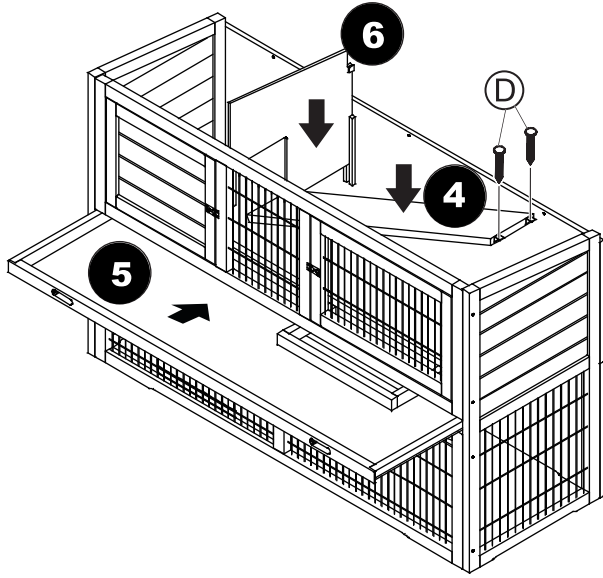
2



3



4



5

