

Installation & Operating Instructions

RAV5CLH21

2.5inch COB Downlight

Before Commencing any Electrical work ensure the AC/mains power is isolated with main isolator on the consumer unit/Fuse board in the 'OFF' position.

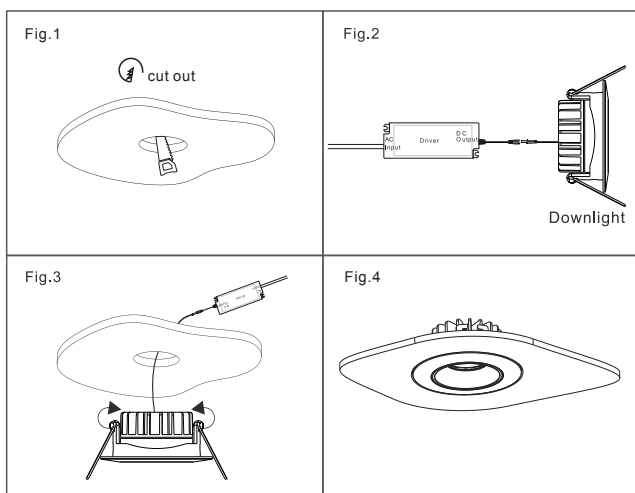


1. This product must be installed by a qualified electrician in accordance with instructions provided and in compliance with recognised electrical and safety regulations relevant to the country it is being installed.
2. The product and its associated control gear are designed to operate on 220-240V
3. This downlighter range is designed to be installed in a ceiling tile/solid material, with a minimum dimension of 3mm thickness.
4. This product is for Indoor use only. It should not be covered with insulation material at any time.
5. Minimum Clearance is 50mm above the installed fitting, and no product should be installed within 50mm of any joist.

Specific Installation details

1. Ensure the AC/mains power is not connected and cannot be reconnected during installation.
2. For new installations use the cut out template provided, and cutting tools suitable for the material, carefully cut the required hole to allow installation. (Fig.1)
3. For Refurbishment installations ensure that the existing hole is suitable and strong enough to hold the new downlight. Support the surrounding area if required.
4. Connect the AC/mains cable to the driver using the marked terminals provided. Incoming Cable connections are,
L= Live power conductor (brown), N = Neutral power conductor (blue).The driver offered is Class II.
5. Remove downlighter from box and connect to the driver via the connection system provided. (Fig.2)
6. Raise the springs and place the downlighter into the tile cut-out ensuring that both the driver and mains power cable are not trapped. (Fig.3)
7. Once correctly connected, position the downlighter fully into the aperture so that the outer flange is flush with the installed ceiling tile/solid material. (Fig.4)
8. Switch on the mains power supply.

• Installation diagram



• Specification

Power	5W
LED Chips	Epistar
Beam Angle	60 Degree
CCT	2700K
CRI	>80 Ra
Lumen	400-450lm
Voltage	220V~240V
Driver	Dimmable
Dimensions	80mm(dia)x40mm(h)
Cut-out	Φ75mm