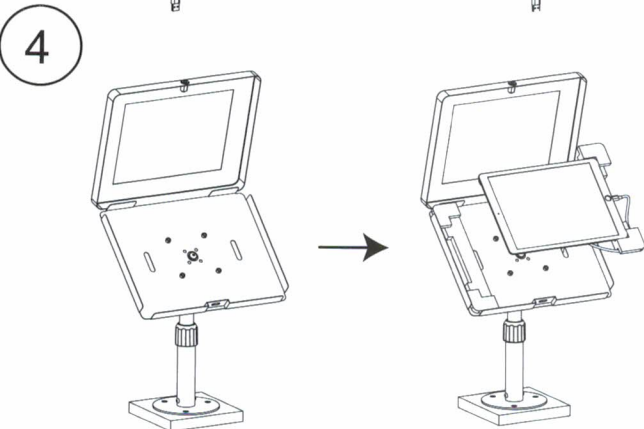
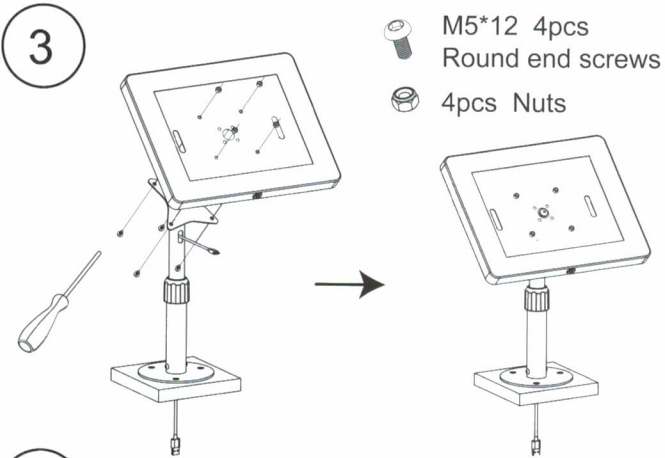
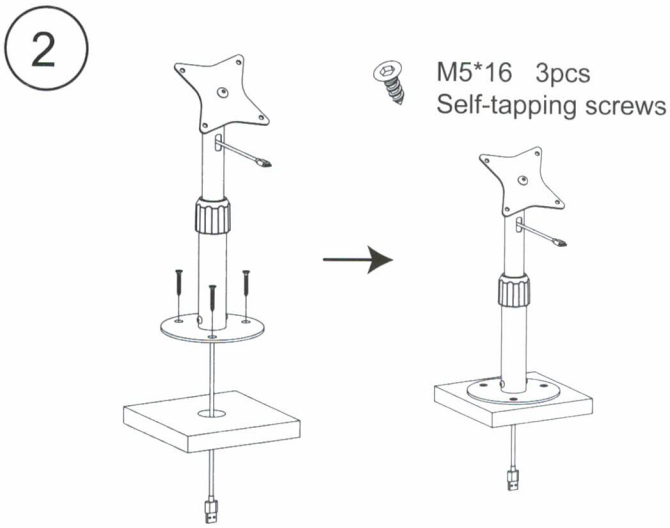
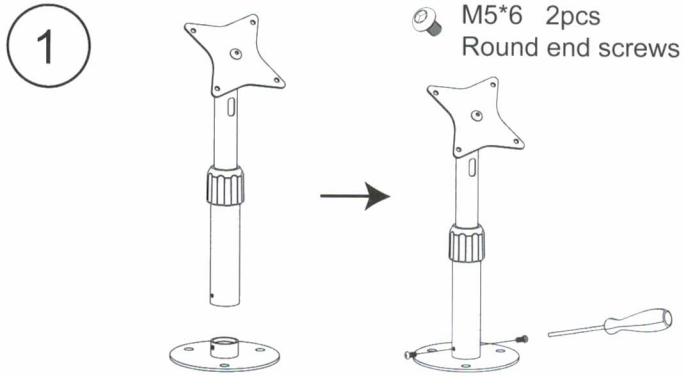


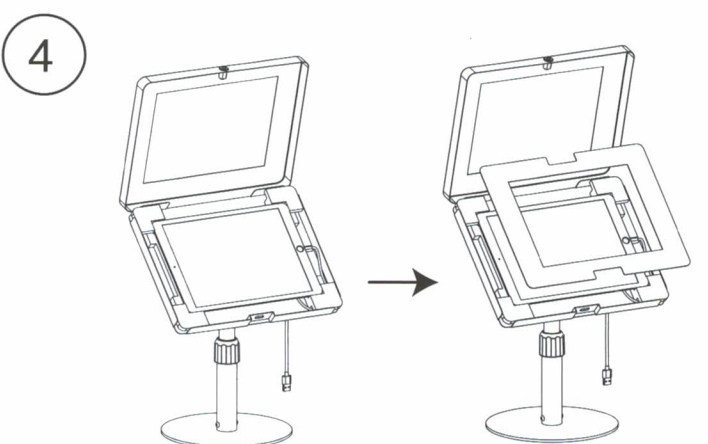
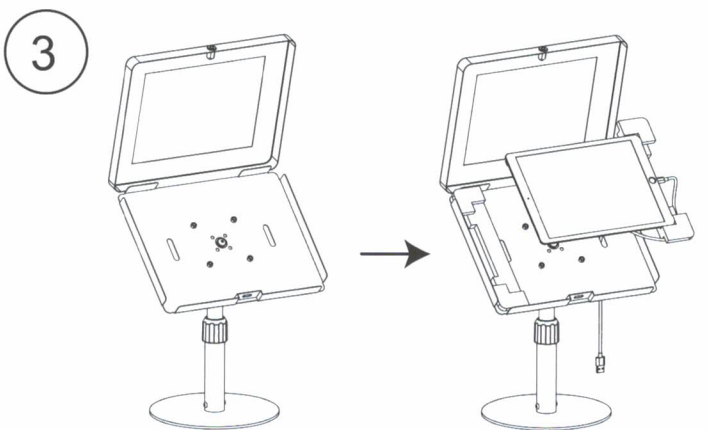
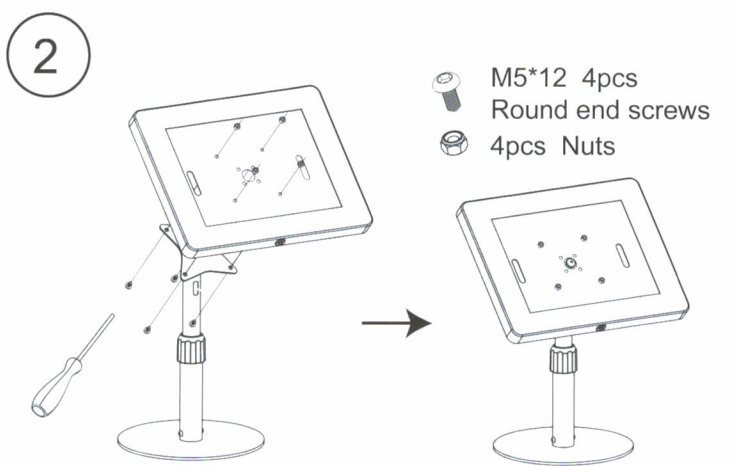
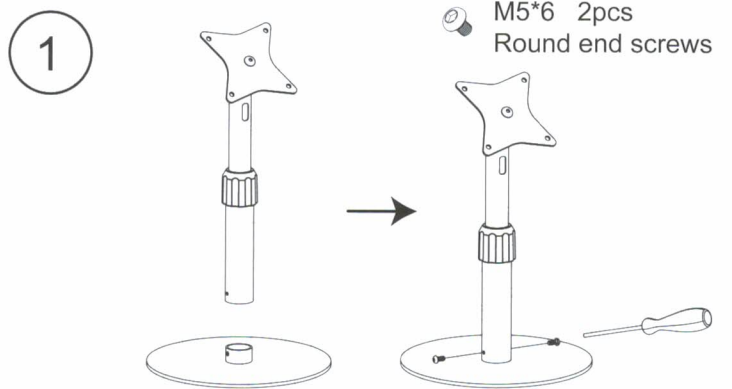
Installation Manual

You might get one of the below version. Please read the corresponding one.

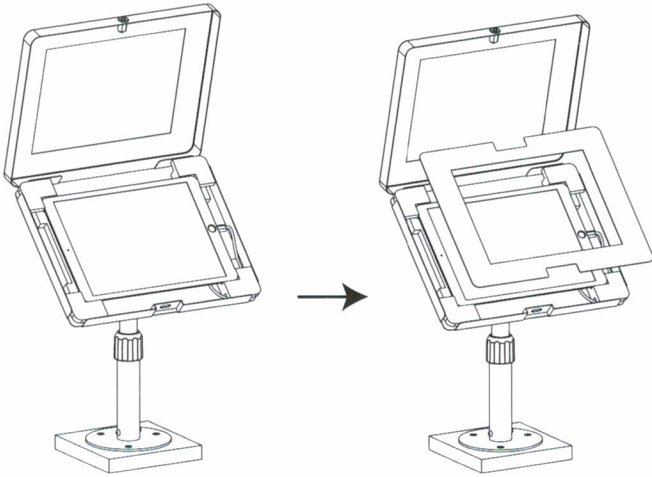
Fix directly on tabletop



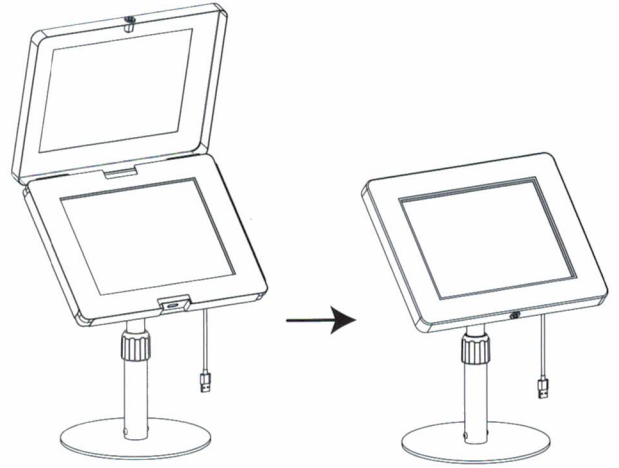
Use with base plate



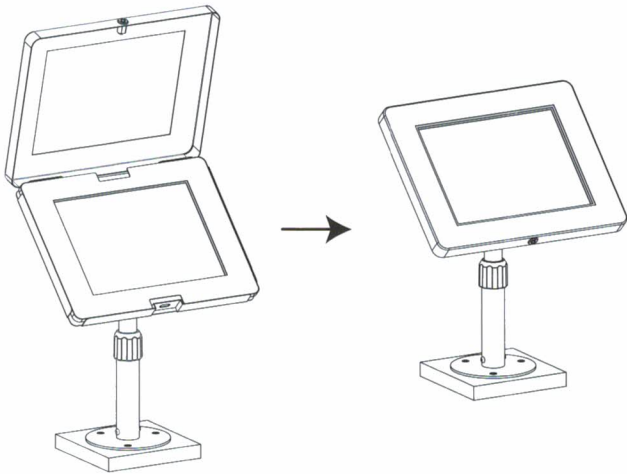
5



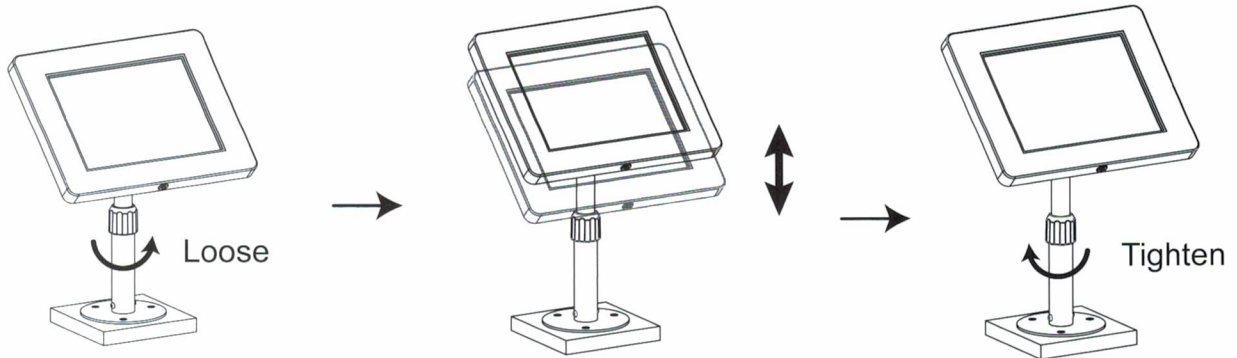
5



6



How to adjust height



Loose the knob

Adjust the top pole to reach your request height

Tighten the knob then ready for use