

Heckler AV®

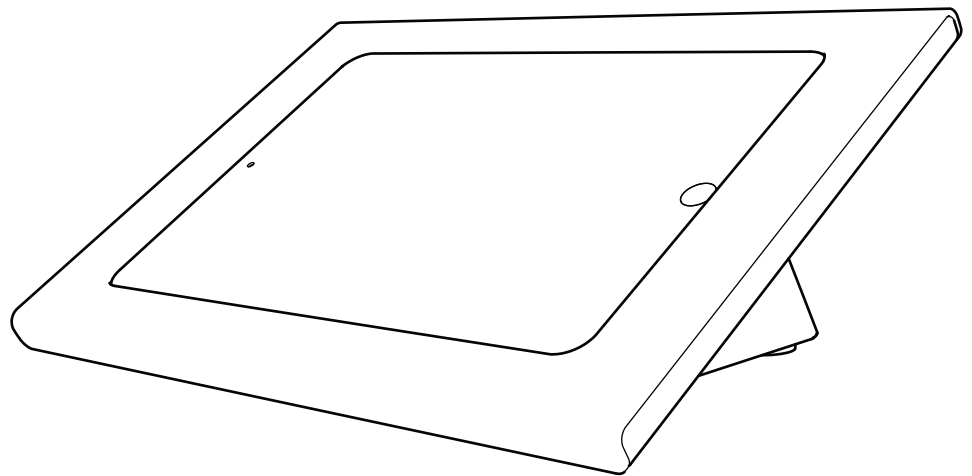
ZOOM ROOMS CONSOLE

for iPad mini



Hecklerdesign

Assembly & Installation



Compatible with

iPad mini 1
iPad mini 2
iPad mini 3
iPad mini 4

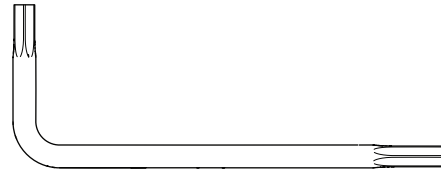
2-Year Hardware Warranty

Heckler Design warrants your product to be free from defect in material and workmanship for a period of two years from the original date of purchase. If you discover a hardware defect, please contact service@hecklerdesign.com. Heckler Design will repair, at our discretion, using new or refurbished components. If repair is not possible, Heckler Design will replace the item.

1x



F160



Torx assembly tool

1x



F631



AV Cart assembly screw

4x



F640



Anchor plate installation screw

2x

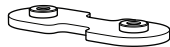


F631



Wood screw

1x



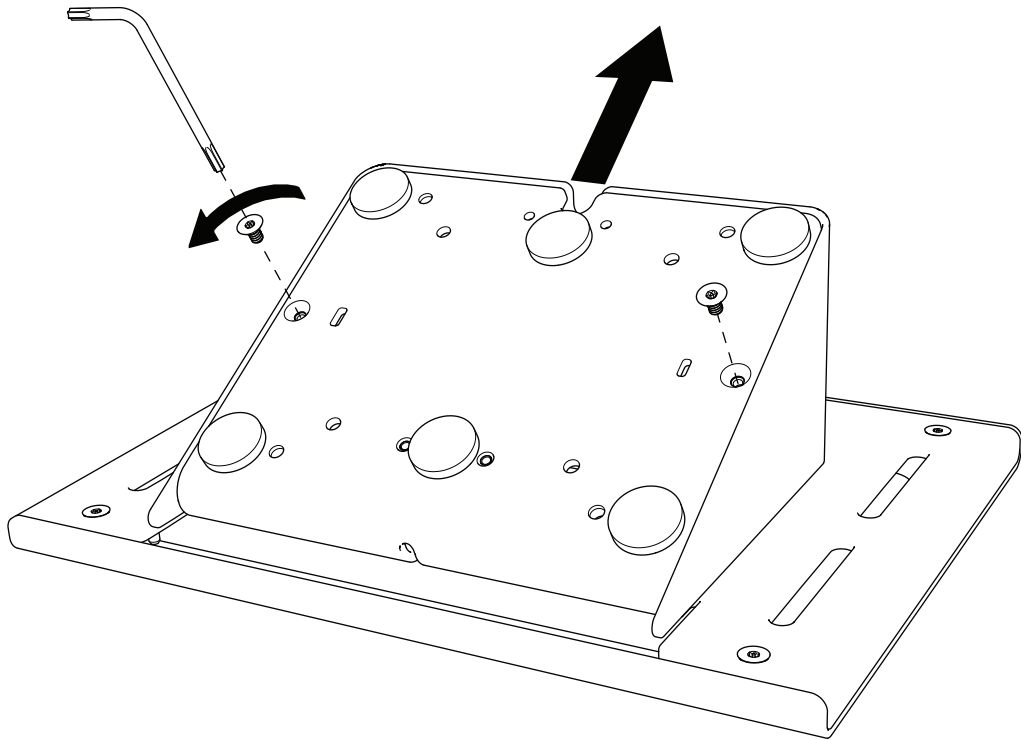
Cable anchor plate

1x



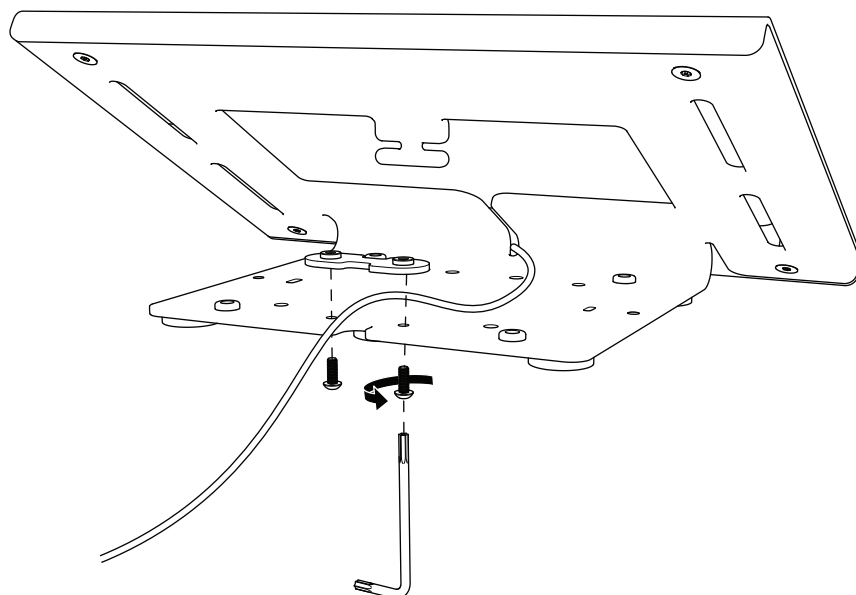
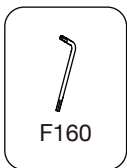
Under-counter cable anchor plate

1 Remove back cover

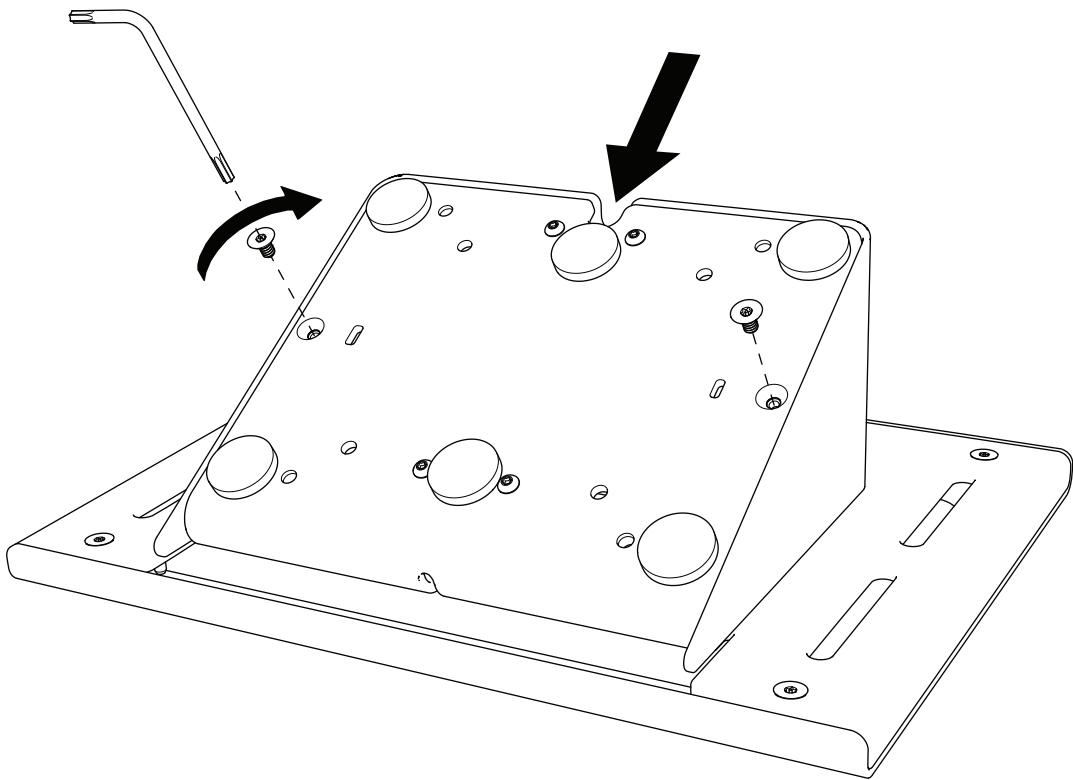


2 Power your iPad

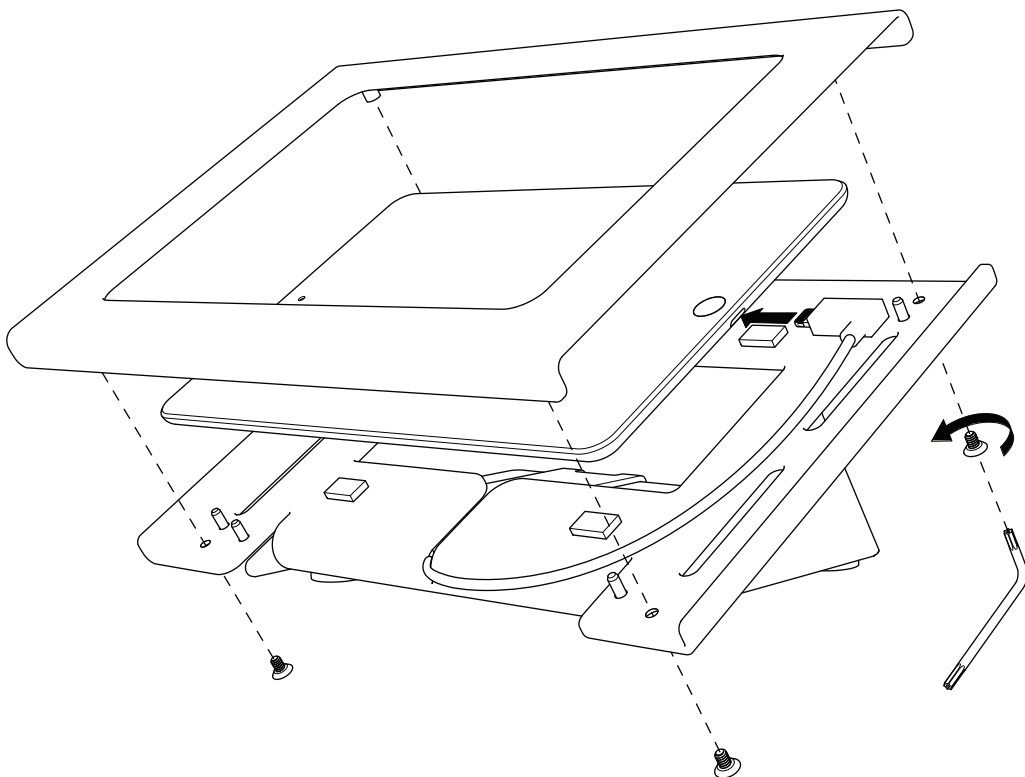
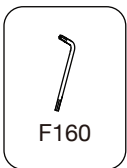
Option A: Route and secure lightning cable



3 Install back cover

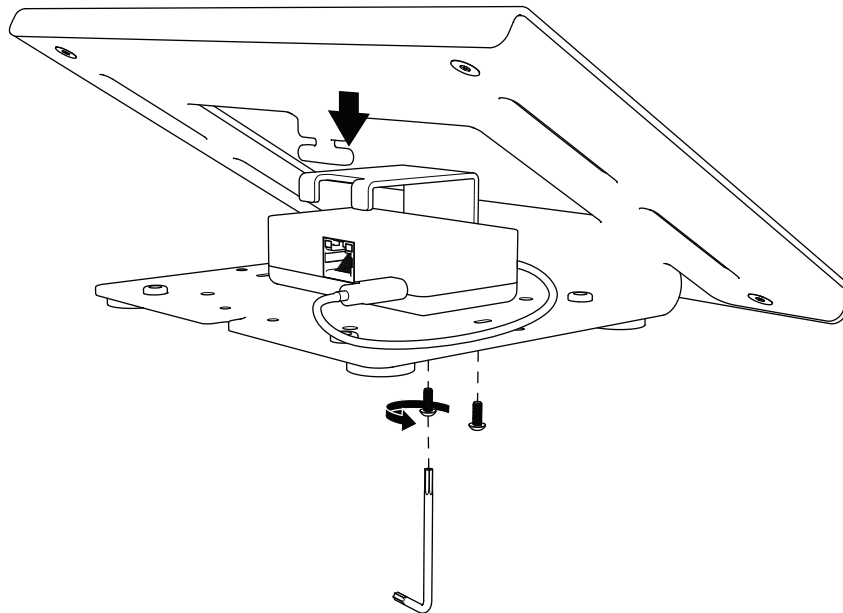
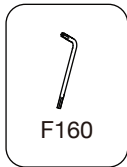


4 Install iPad and plug into power

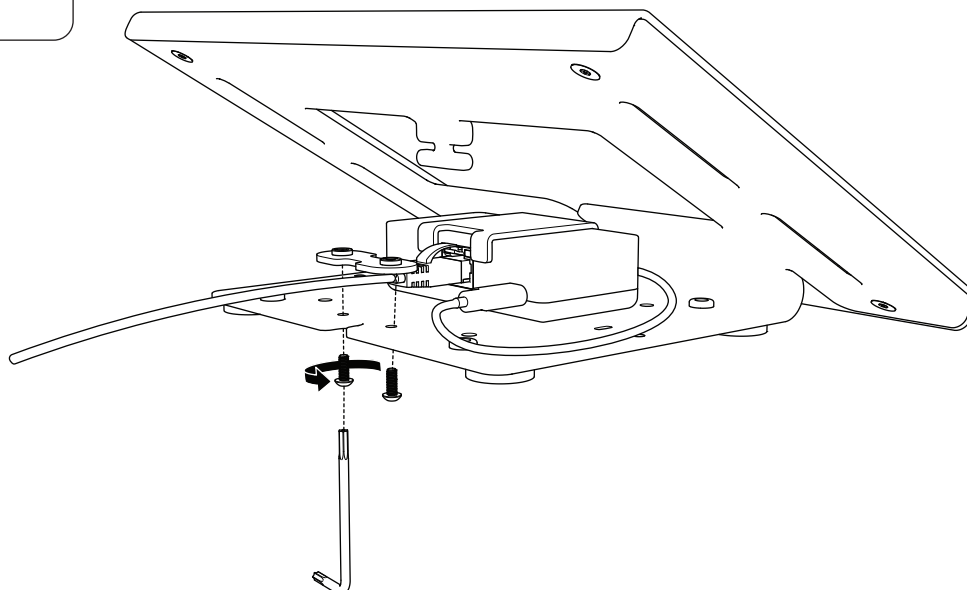
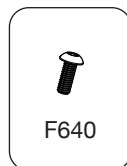
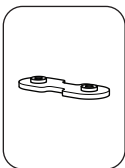
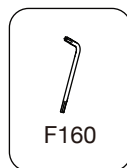


Option B:

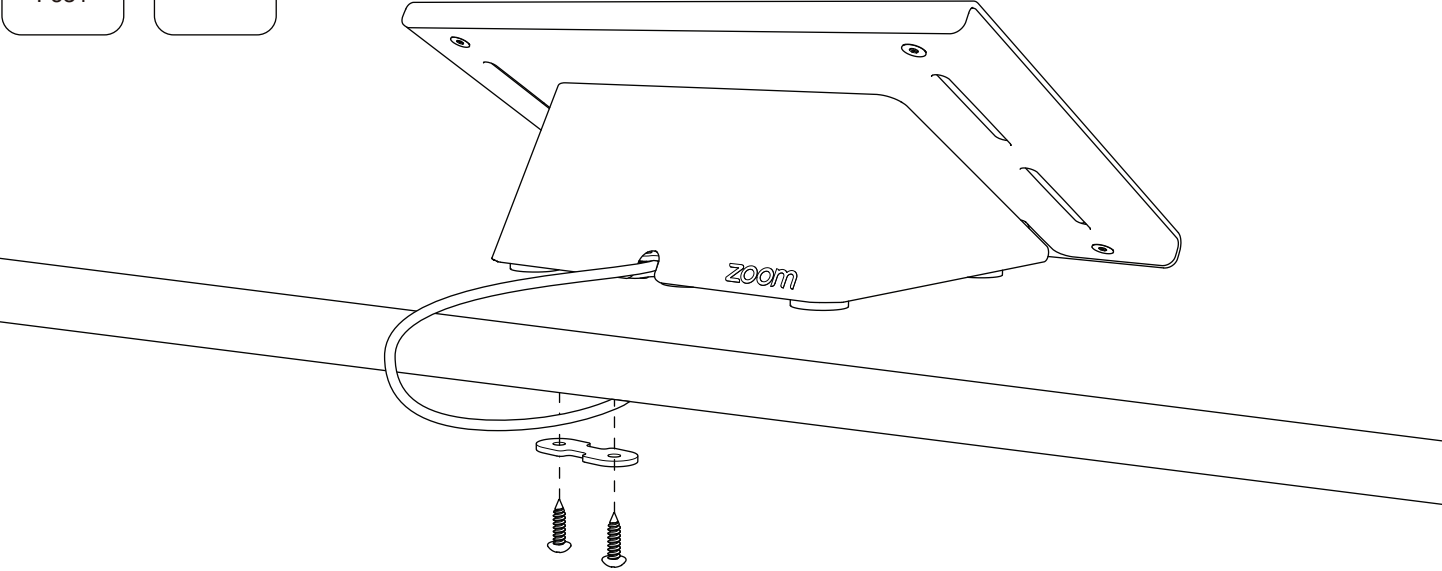
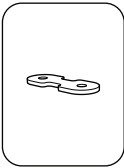
1 Install Gigabit Ethernet + PoE Adapter



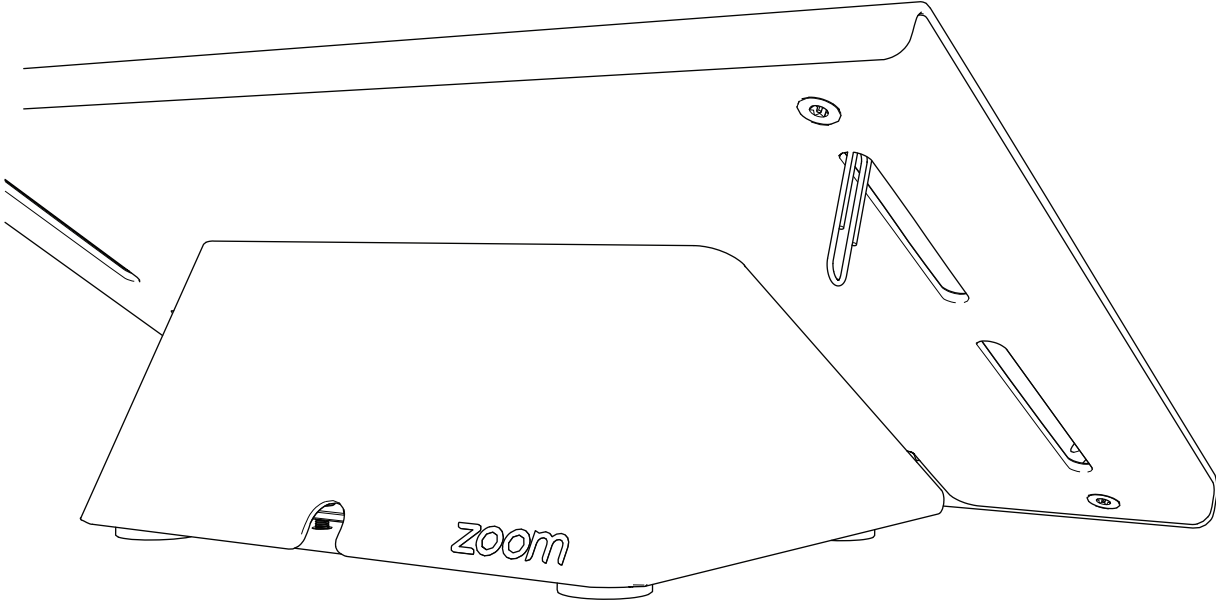
2 Connect CAT7 cable to adapter, secure



5 Optional: Anchor cable under table



6 Accessing Sleep/Wake button



7 Optional: Installing to Heckler AV Cart

