

Heckler AV®

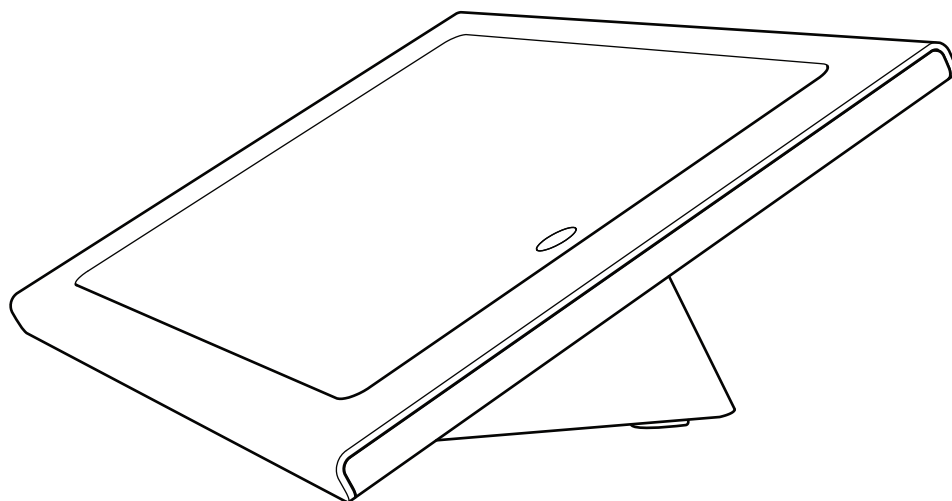
ZOOM ROOMS CONSOLE

for iPad



Hecklerdesign

Assembly & Installation



Compatible with

iPad Air 1
iPad Air 2
iPad Pro 9.7-inch
iPad (5th Gen)
iPad (6th Gen)

2-Year Warranty

Heckler Design warrants your product to be free from defect in material and workmanship for a period of two years from the original date of purchase. Electronic components are warranted to be free from defect for a period of one year from the original date of purchase. If you discover a defect, please contact service@hecklerdesign.com. Heckler Design will repair, at our discretion, using new or refurbished components. If repair is not possible, Heckler Design will replace the item.

H523 R01

1x



F160



Torx assembly tool

1x



F529

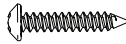


2.5mm hex tool

2x

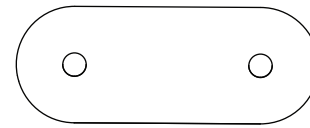


F631



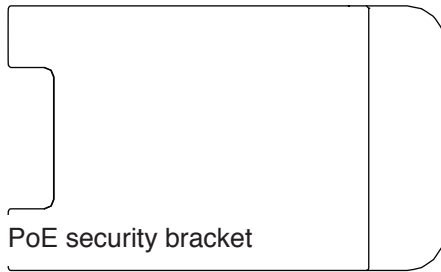
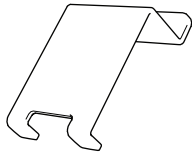
Wood screw

2x

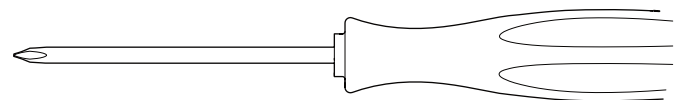
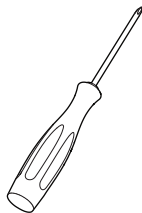


Cord secure

1x

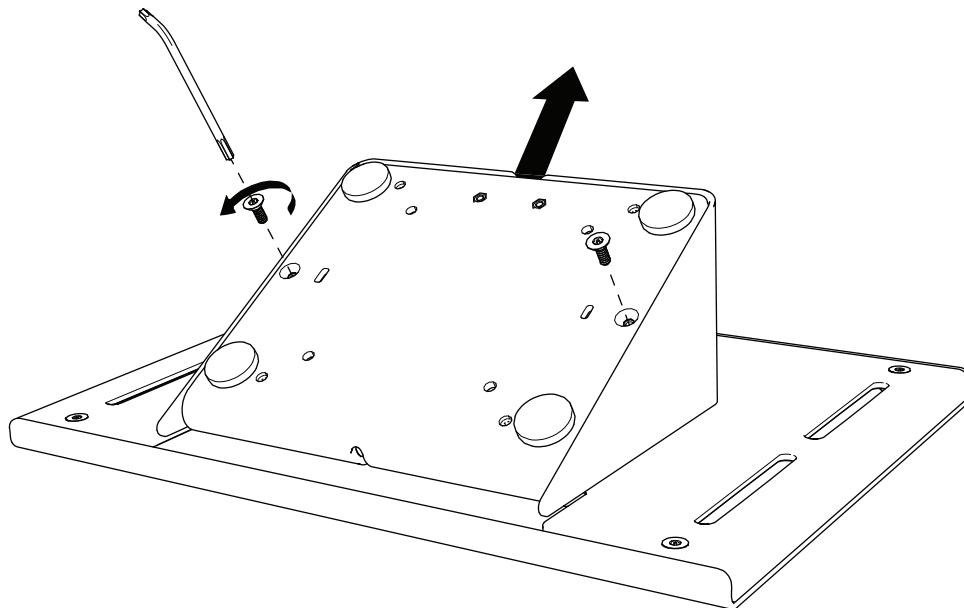
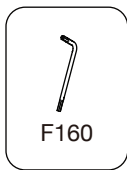


PoE security bracket

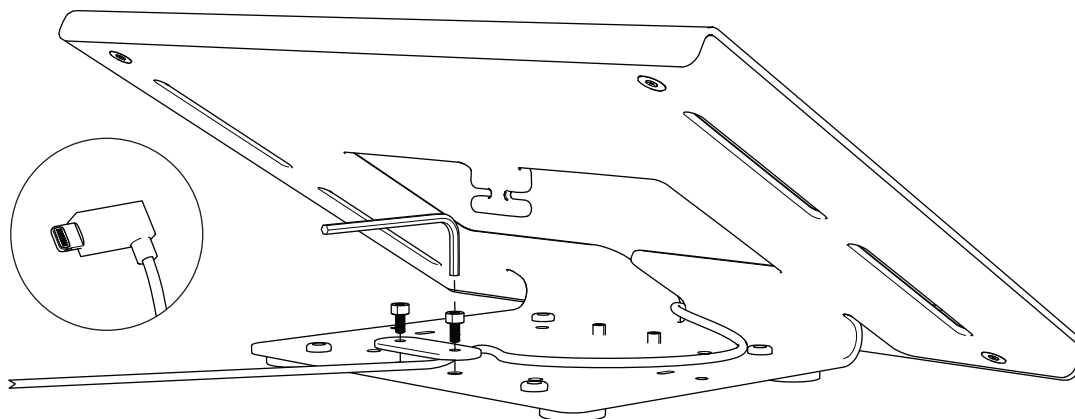


Phillips Screwdriver

1 Remove back cover

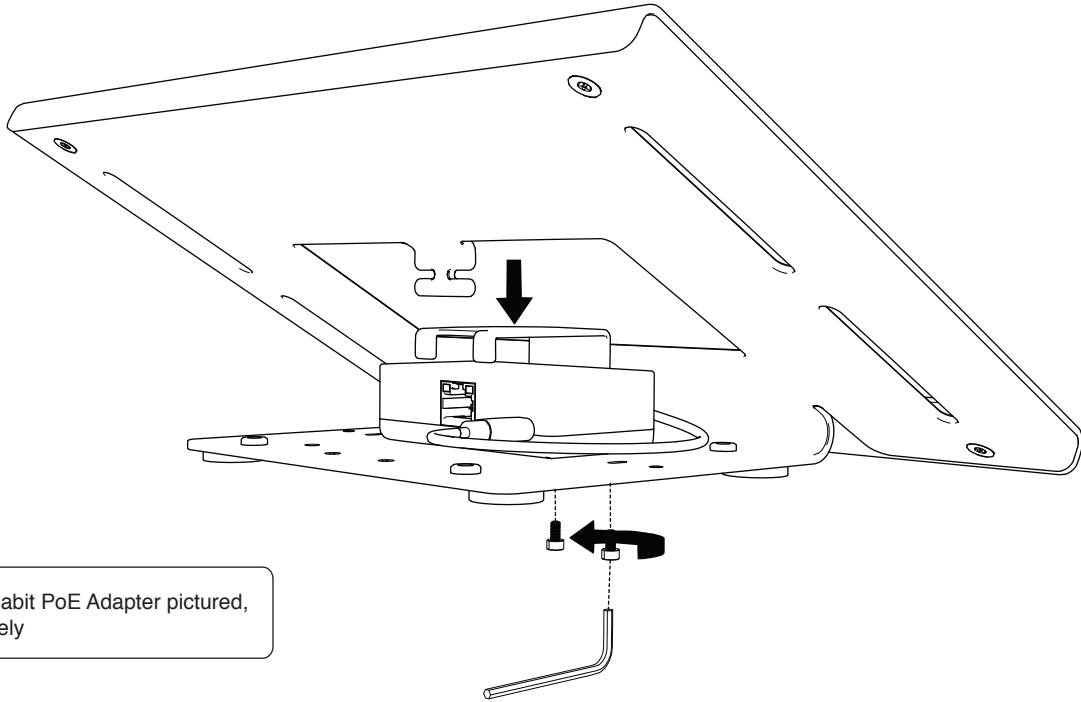



2A Route and secure lightning cable



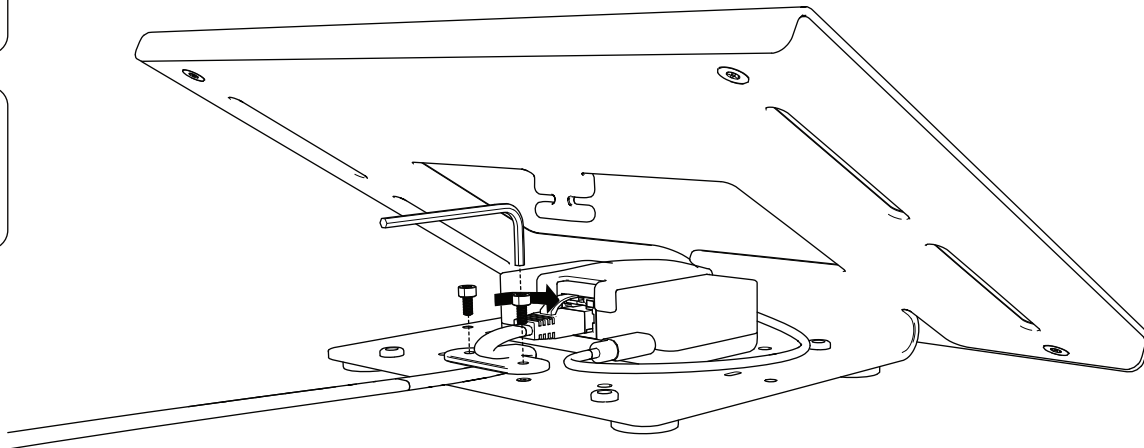
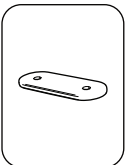
i Lightning cable sold separately

2B.1 Mount PoE

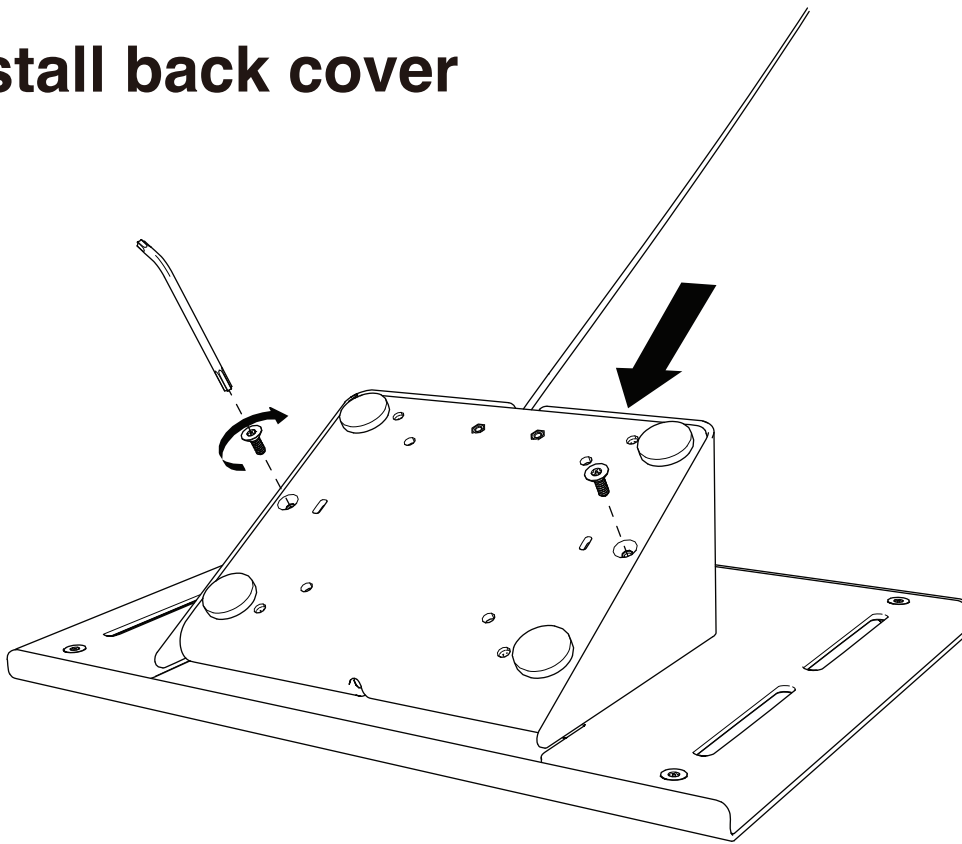
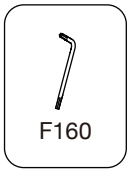


 Redpark Gigabit PoE Adapter pictured, sold separately

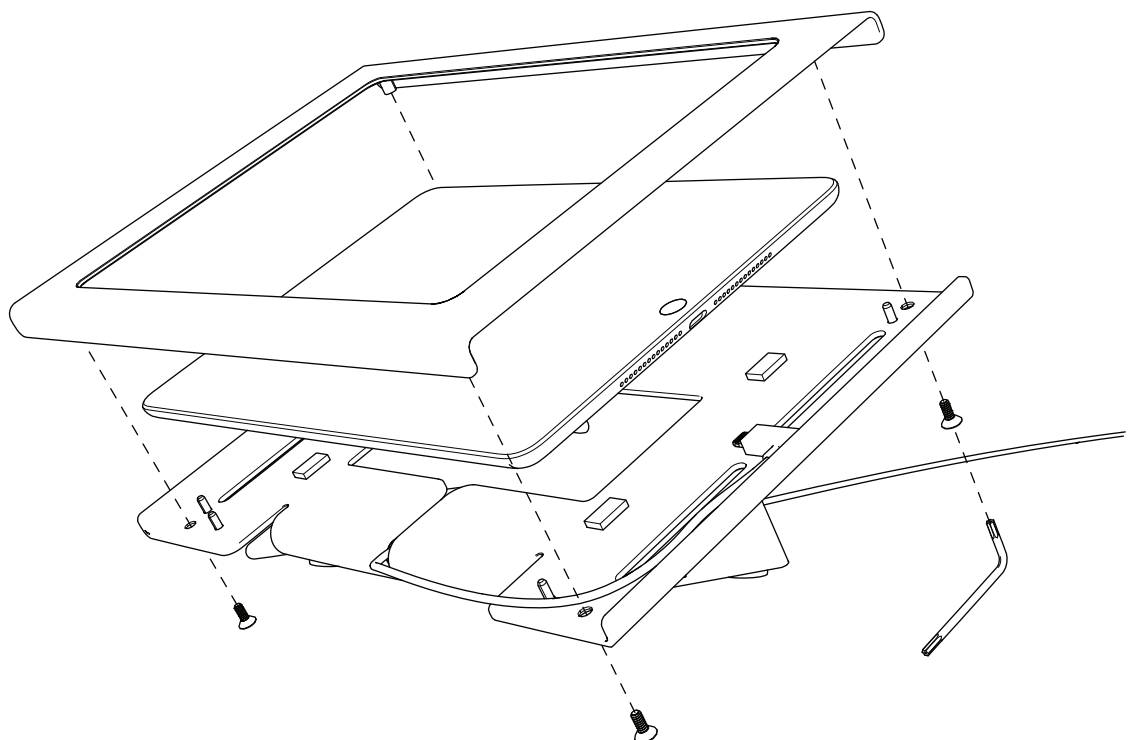
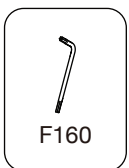
2B.2 Route and secure CAT cable



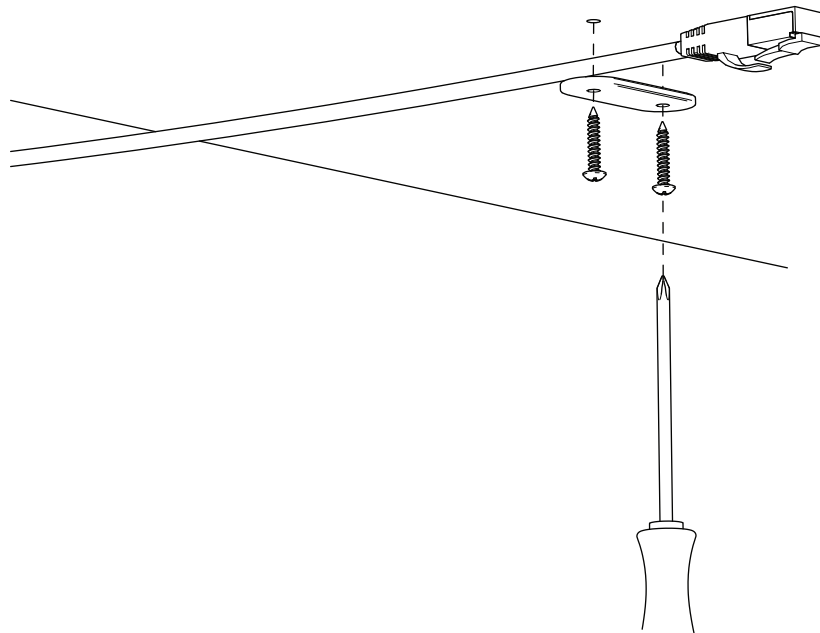
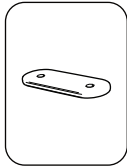
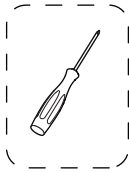
3 Install back cover



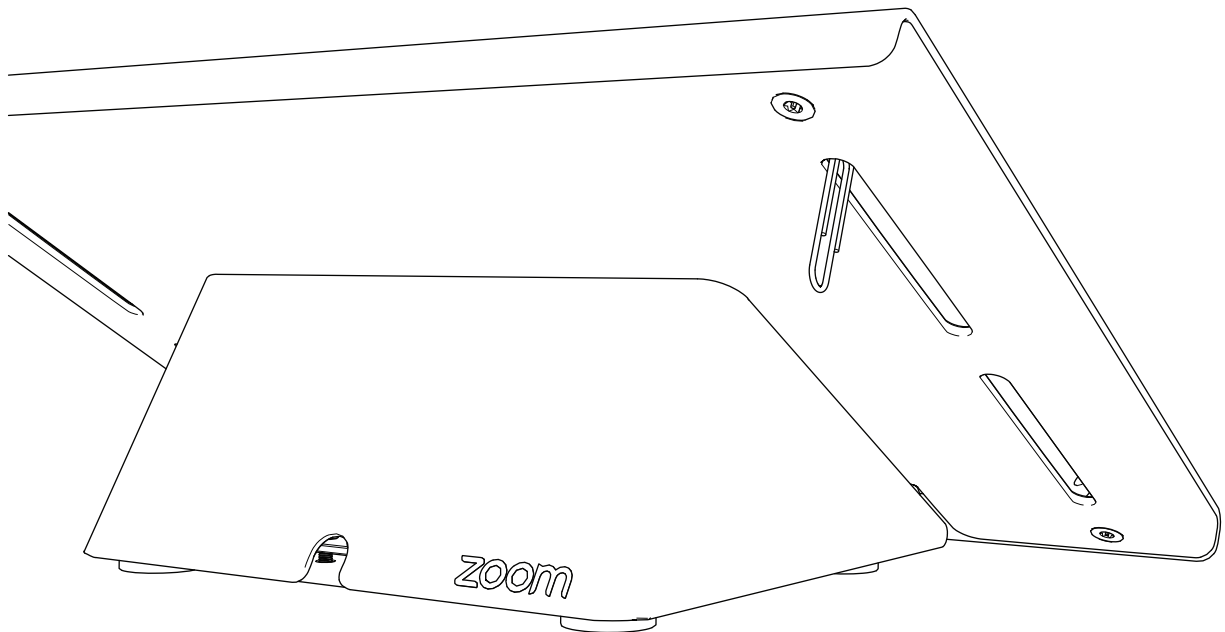
4 Install iPad and plug into power



Optional: Anchor cable under table



Accessing Sleep/Wake button



Installing to Heckler AV Cart

