

# EVE Plus wall base USB

## Installation Manual

### Description

The Eve Plus wall base USB connects to the Gigabit PoE adapter (0610-20, not included). An iPad in a sleeve (not included) docked to the wall base will connect to the local network and use power over ethernet (PoE) to charge. This enables the iPad to receive both data and power over a single ethernet cable when connected to a PoE-enabled switch or a PoE injector.

**The standard sleeve cable needs to be replaced with the one enclosed with the Gigabit PoE adapter to allow data transfer between iPad and sleeve.**

For more detailed information on the ethernet possibilities, see the Eve (plus) Gigabit PoE adapter (0610-20, not included) manual.

### Safety instructions

Before installing the unit, read this manual thoroughly and retain it for future reference.

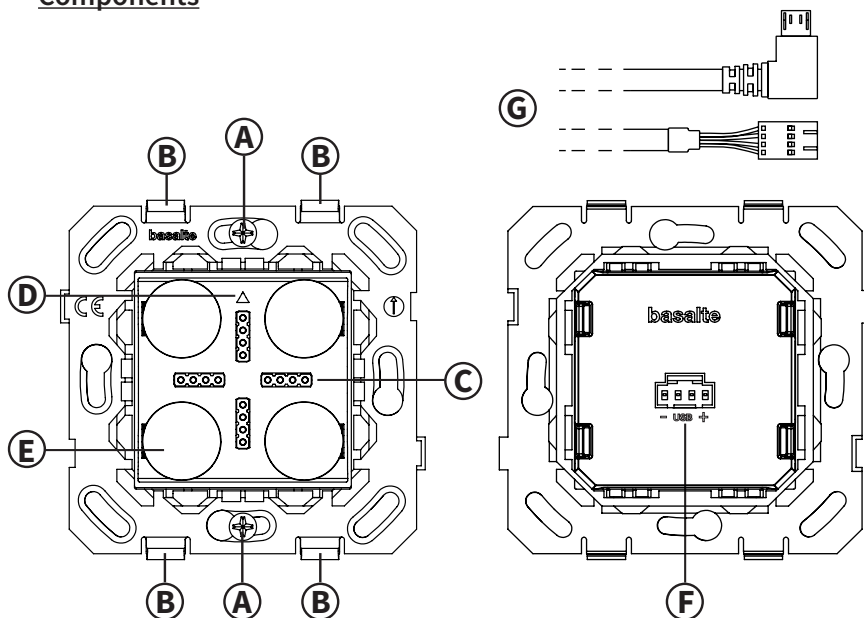
The device should be installed in compliance with official regulations valid in country of use.

The device may only be installed and connected by qualified electricians.

Ensure that electricity is switched off when installing or unmounting the device.

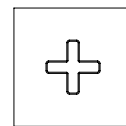
Do not open, dismantle, alter or modify the device.

### Components



### Eve Plus Cover

(not included)



**Model No. 0131-CC**

- A** Opening to fix the outlet to the wall box
- B** Clips to mount the cover plate
- C** Charging connector for Eve Plus sleeve
- D** This sign up
- E** Aligning magnets
- F** USB connector
- G** Eve Plus wall base USB to Gigabit PoE adapter micro USB cable

### Wall boxes

The wall base should be installed in European wall boxes with screws.


The distance between the screws needs to be 60mm, and a minimal depth of 45 mm is required.

Square wall boxes size 60 x 60 mm are compatible with the sockets.

Round wall boxes should have an inner diameter of 64mm or more.

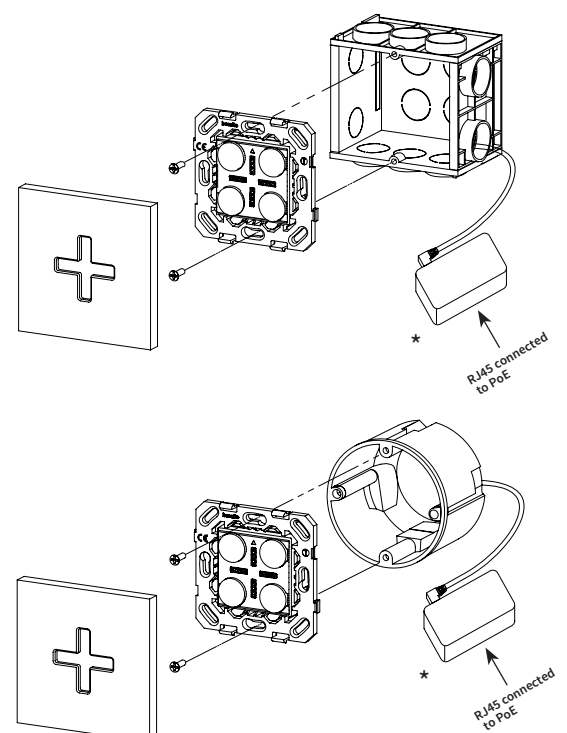
The following round wall boxes are compatible with the Basalte sockets :

- Helia round with cut hole 68 mm (type 247, 261).
- Kaiser round with cut hole 68 mm (type 9063-xx, 9064-xx, 9062-xx).
- Legrand batibox round (ref 080051, 080061, 080052, 080053).
- ABB round Hafobox MD4050 and hollow wall boxes HW-50, HW50-G, HW52-F (Except HW52-F IGD and HW52-F BW).

 When using other round boxes, please verify the compatibility upfront. Do not use following wall boxes:

- Helia O-range
- Kaiser (1055-xx – 1056-xx)
- ABB 3040
- ABB HW52-F IGD and HW52-F BW

\* **0610-20 Gigabit PoE adapter**  
(not included)



# EVE Plus wall base USB

## Installation Manual

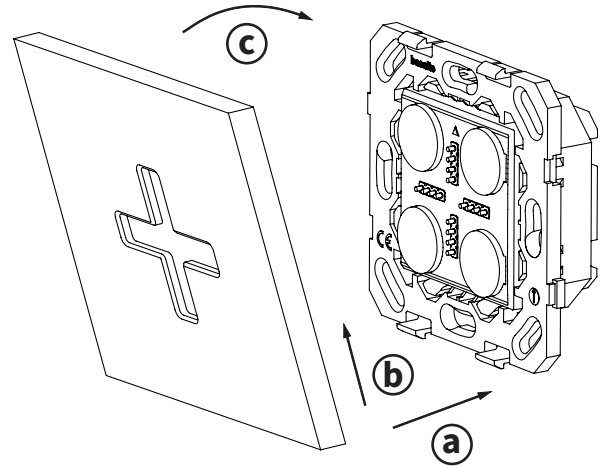
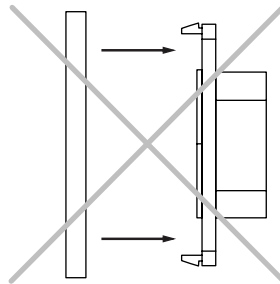
### Installation instructions

1. Install square wall box (60mm) or compatible round wall box.  
Wall box should have screws with a vertical distance of 60mm and minimal depth of 45mm.
2. Connect the wall base USB to the Gigabit PoE adapter with the enclosed cable.
3. Fix the wall base to the wall box with 2 screws using the holes on vertical axis.
4. Mount the cover using the clips (see drawing below).

- A** Place the frame over the lower clips  
**B** Push the frame upwards and tilt towards the wall  
**C** Attach the frame over the top clips



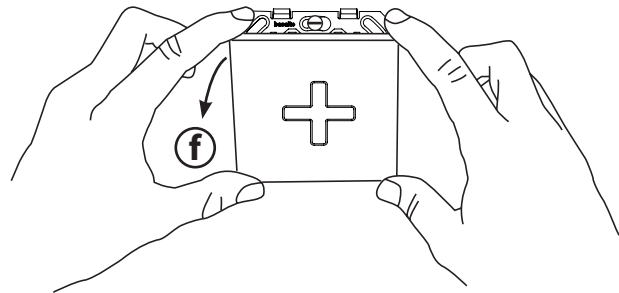
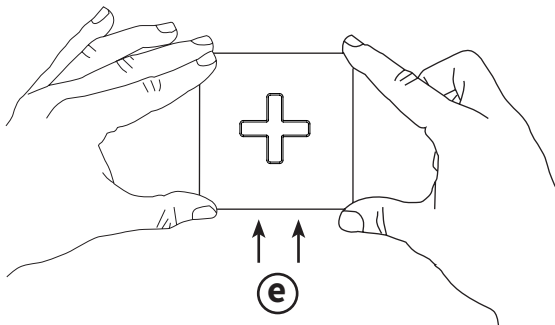
Pushing the frame straight into the clips without pushing upwards and lifting, might damage the wall base.



### Cabling

Connect the USB wall base to the Gigabit PoE adapter (0610-20, not included) with the cable included with the adapter. Connect the Gigabit PoE adapter to an ethernet cable (minimal Cat5e) connected to a PoE ethernet switch (802.3af class 0).

### How to remove Eve Plus front cover (see drawing below)



- E** Push the frame upwards  
**F** Tilt the frame away from the wall

### Technical data

**Power supply:** 48V PoE, 15,4W

**Ethernet connection:** 802.3af Class 0

**Bandwith:** max 225 Mbs