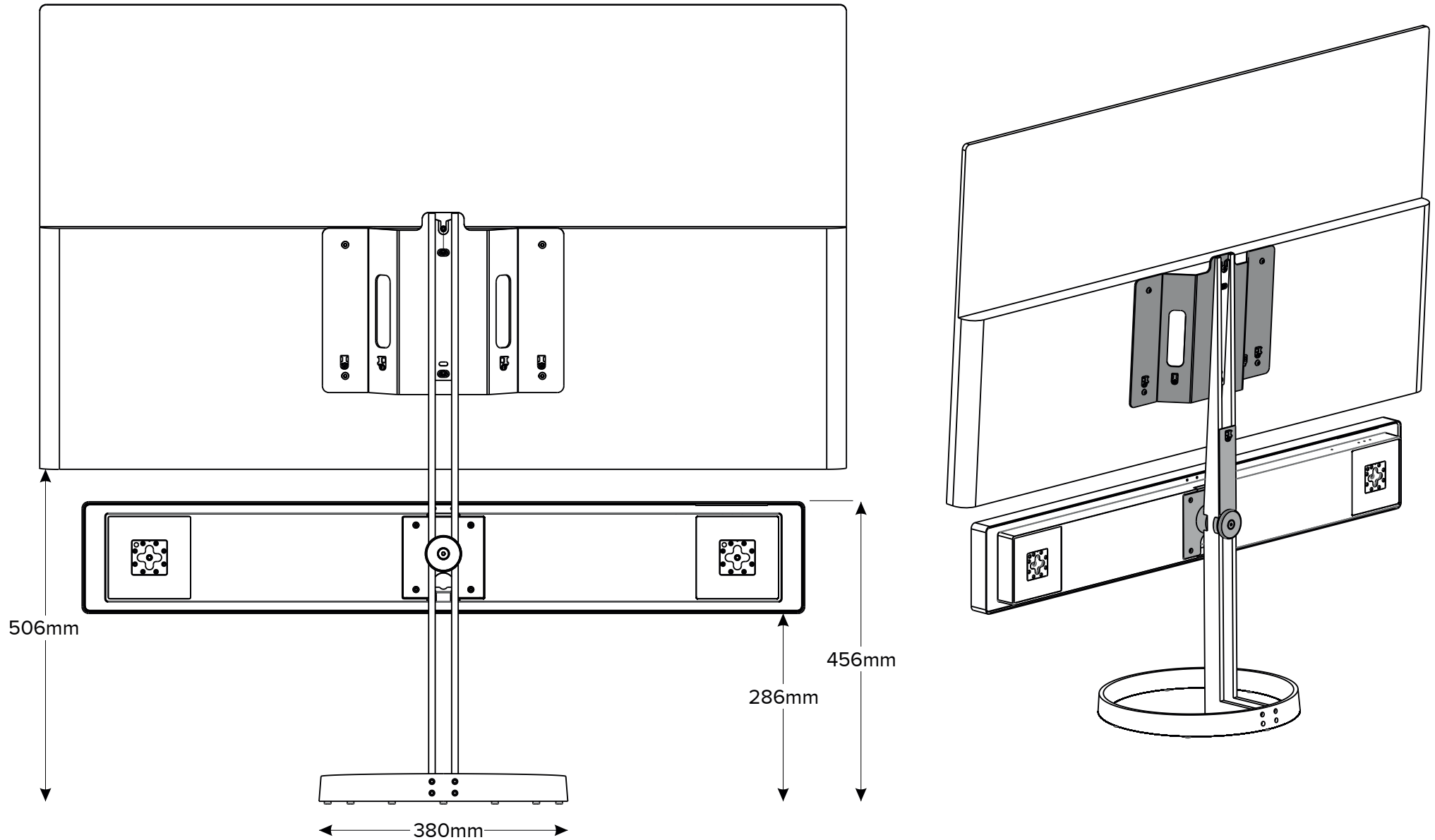
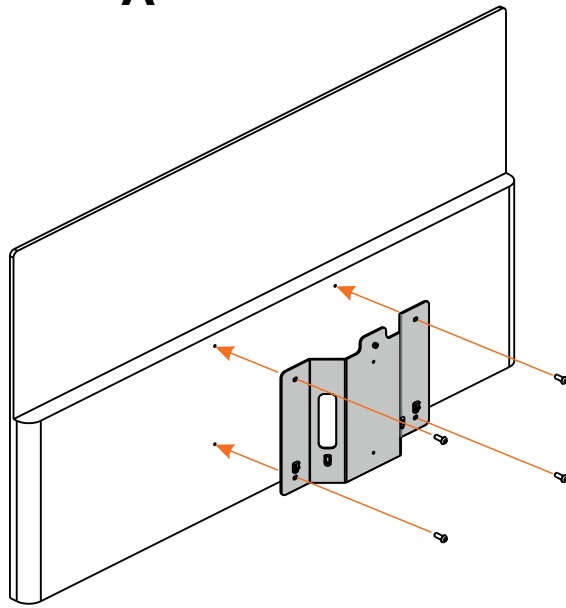


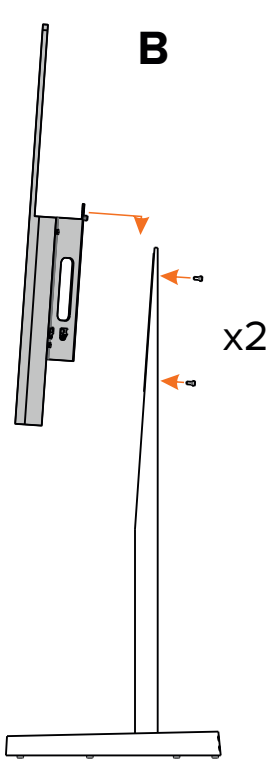
FLOORSTAND 4791 & WHEELSTAND 4796 **NOT** INCLUDED



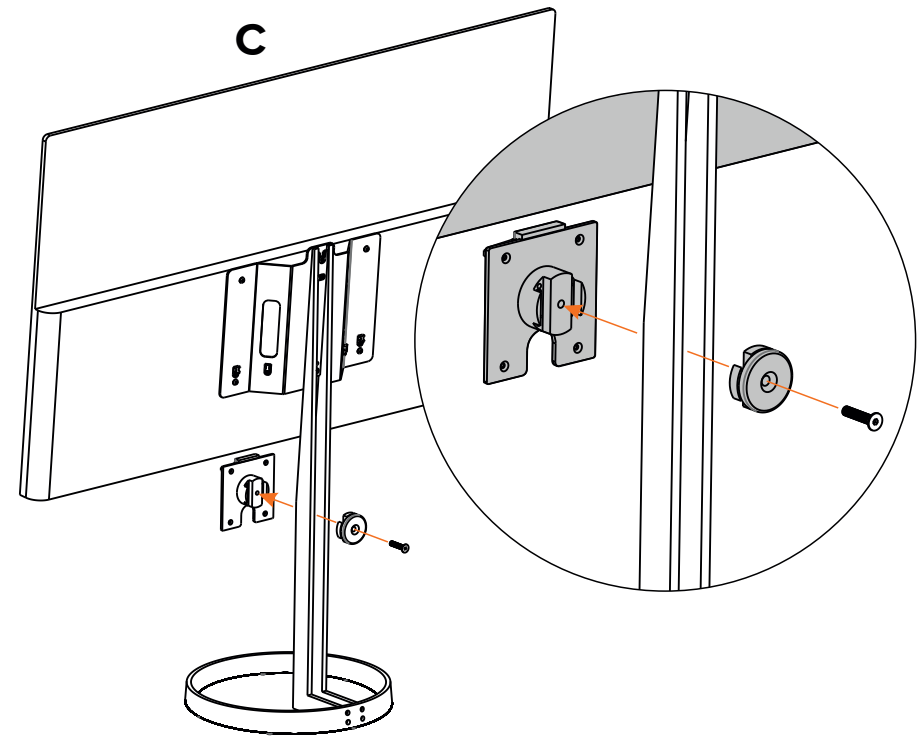
A



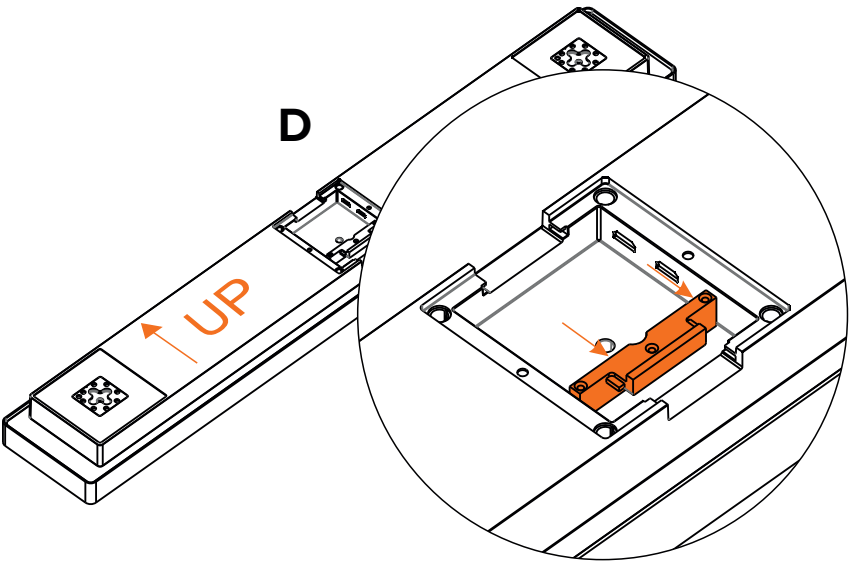
B



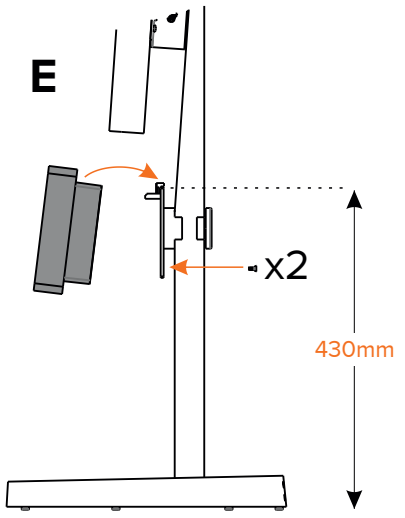
C



D



E



F

