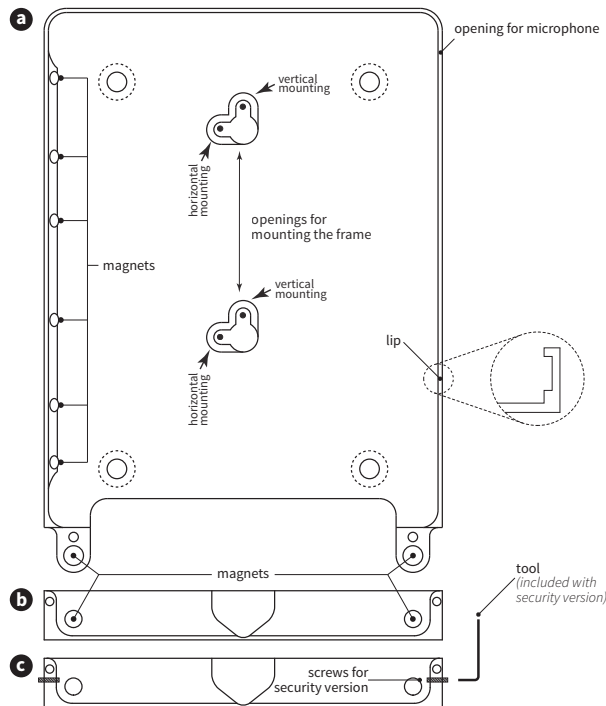
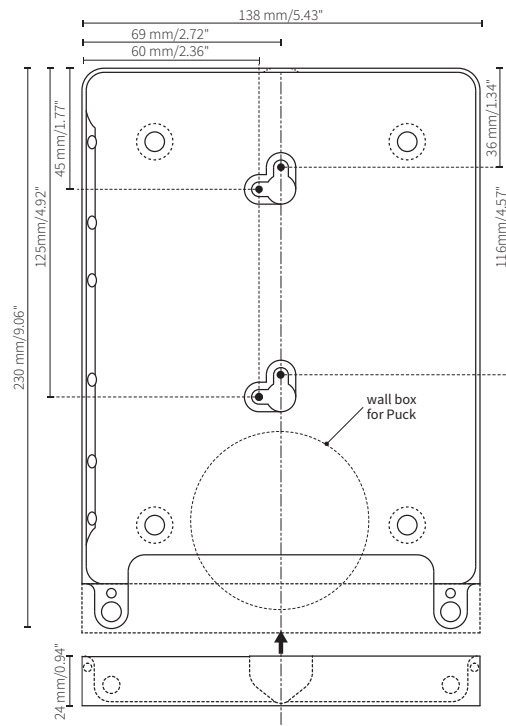


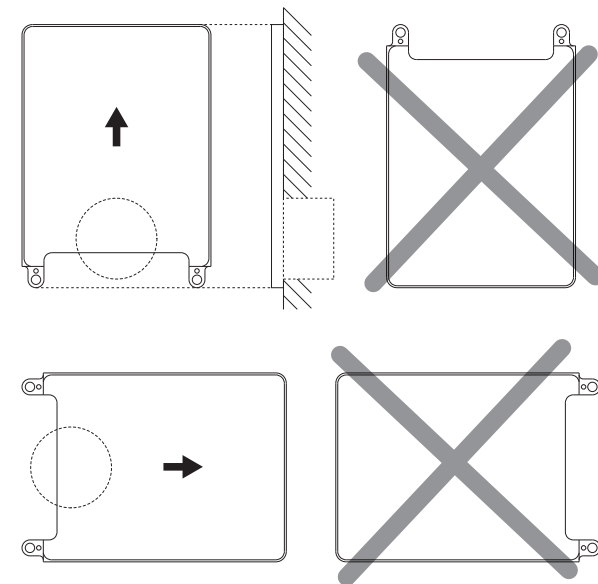
1



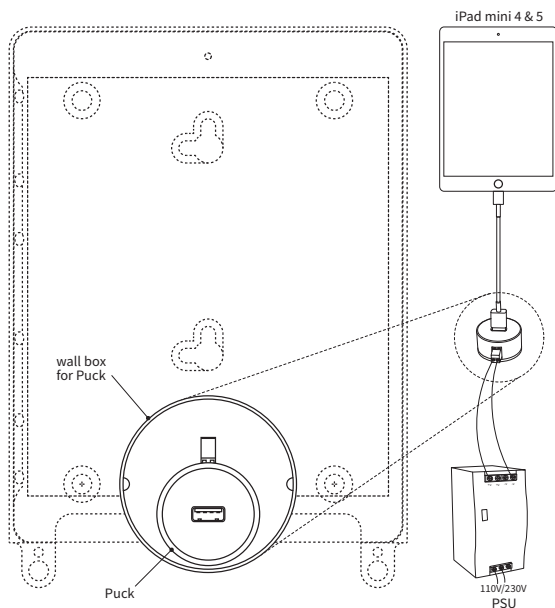
2



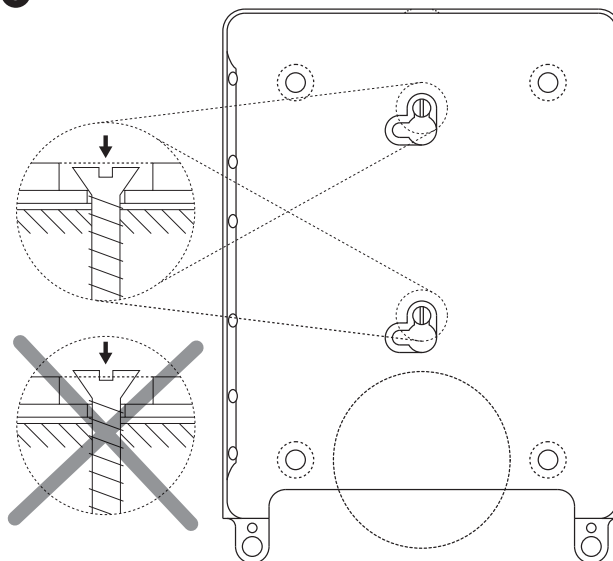
3



4

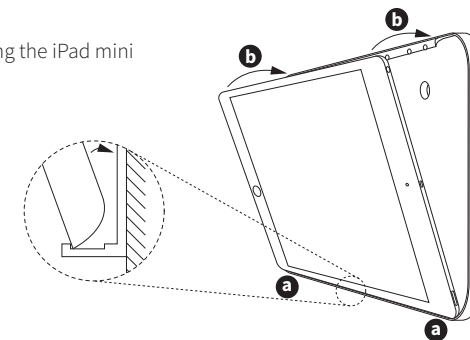


5



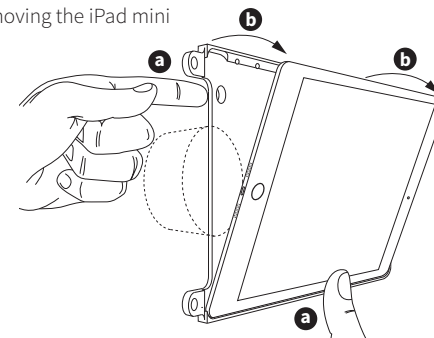
6

mounting the iPad mini



7

removing the iPad mini



1 Identification of the parts

- a Eve mini frame for iPad mini 4 & 5
(product number: 625-xx) **(not compatible with iPad mini 1, 2 & 3)**
- b Eve mini cover (product number: 621-xx, 622-xx - not included)
- c Eve mini cover security version
(product number: 623-xx, 624-xx - not included)

2 Positioning of the wall box *(not included)*

A wall box should be foreseen to install the iPad power supply. The Puck *(not included)* is a USB power supply which fits into a 1-gang wall box and uses the standard Lightning-to-USB Cable, supplied with the iPad. The wall box should be installed according to the dimensions on the drawing (2).

3 Direction of the frame

The Eve frame can be mounted horizontally or vertically. Please take care to mount the frame in the correct direction according to the drawing (3). **Installing the frame in the wrong direction can damage the iPad.**

4 Puck Power supply *(not included - product number: 610-02)*

Install the Puck into the wall box following the instructions of the Puck manual. Connect the standard Lightning-to-USB Cable, supplied with the iPad, to the Puck.

5 Installing the frame

Please use the correct openings of the Eve frame and ensure the screws are positioned so that they cannot damage the iPad.

6 Mounting the iPad mini

1. Plug the power connector into the iPad.
2. **Portrait mounting:** Place the right side of the iPad in the right side of the frame as shown on drawing 6 (a) (opposite side of the magnets). Then gently push the iPad in the frame so that it is being held by the magnets (b).
Landscape mounting: Place the right side of the iPad in the lower side of the frame as shown on drawing 6 (a) (opposite side of the magnets). Then gently push the iPad in the frame so that it is being held by the magnets (b).
3. Place the Eve cover making sure that the cover is not squeezing the power cable.

Make sure to follow the steps above in the right order as a wrong installation can damage the frame.

7 Removing the iPad mini

1. Remove the Eve cover.
2. Place one finger behind the iPad (side with magnets) and another one on the right side of the iPad as shown on drawing 7 (a).
3. Gently pull the iPad out of the frame making sure it cannot fall (b).
4. Remove the power connector.

Dimensions Eve mini

Set: 227 mm/ 8.94" x 138 mm/5.43" x 11 mm/0.43"

– Frame: 224 mm /8.82" x 138 mm/5.43" x 11 mm/0.43"

Cover: 24 mm/0.94" x 138 mm/5.43" x 11 mm/0.43"

Made in Belgium

Basalte is a registered trademark of Basalte bvba.

Eve is a registered trademark of Basalte bvba.

Eve mini, Eve 9.7", Eve Pro 9.7", Eve Pro 12.9" and Eve touch are registered designs of Basalte bvba.

iPad mini, iPad Air, iPad, iPad Pro and iPod touch are registered trademarks of Apple Inc.

Basalte bvba

Hundelgemsesteenweg 1a
9820 Merelbeke
Belgium

tel +32 9 385 78 38
fax +32 9 329 66 95

info@basalte.be
www.basalte.be



The logo features the word "eve" in a large, elegant, cursive script, with the word "mini" in a smaller, clean, sans-serif font positioned to the right and slightly above the end of the "eve" script.